

**WELCOME**

TO YOUR NEW HOME,  
WELCOME TO **DAX**







## WELCOME TO YOUR NEW HOME, WELCOME TO **DAX**

We believe in open doors to be opened.  
We believe in a better life and a better future.

We have created a brand and a company that will fulfill all your home design needs, with excellent quality and permanent inventory for immediate response.

We will help you have a better life by improving the way you live it, bringing innovative and beautiful designs into your home.

We want you to be a part of our family.

CATALOG | **2023**





<b>01</b>	KITCHEN FAUCETS	PAGE 6-17
<b>04</b>	BATHROOM ACCESSORIES	PAGE 39-55
<b>07</b>	BATHROOM MIRRORS	PAGE 88-93

<b>02</b>	KITCHEN SINKS	PAGE 18-34
<b>05</b>	BATHROOM FAUCETS	PAGE 56-71
<b>08</b>	BATHTUBS	PAGE 94-97

<b>03</b>	KITCHEN ACCESSORIES	PAGE 35-38
<b>06</b>	BATHROOM SINKS	PAGE 72-87
<b>09</b>	BATHTUB FILLERS	PAGE 98-100



# OUR PRODUCTS



**10** TOILETS **PAGE** 101-105

**13** SHOWER VALVES **PAGE** 115-122

**16** DRAIN SYSTEMS **PAGE** 132-135

**11** SHOWER PANELS **PAGE** 106-110

**14** SHOWER HEADS **PAGE** 123-127

**17** SHOWER ACCESSORIES **PAGE** 136-144

**12** SHOWER SYSTEMS **PAGE** 111-114

**15** HAND SHOWERS **PAGE** 128-131

**18** OUTDOOR SHOWERS **PAGE** 145-148

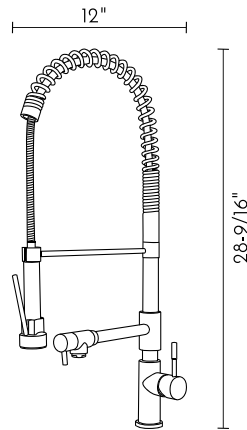




01 KITCHEN FAUCETS  
SERIES

---

KITCHEN FAUCET

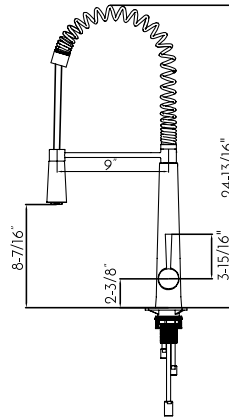


**DAX - C001-05**

**FEATURES**

- Pull down shower head
- Brushed stainless steel finish
- 304 stainless steel body casting
- Dual sprayer
- Stainless steel shower head
- Ceramic cartridge
- Flow rate 2.2 GPM
- Height 28-9/16"
- Installation hole 1-3/8"
- Water lines and mounting parts included

KITCHEN FAUCET

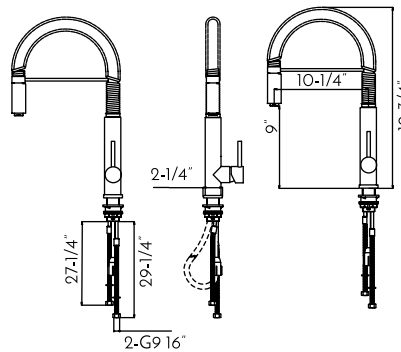


**DAX - 001-03**

**FEATURES**

- Pull down shower head
- Brushed stainless steel finish
- 304 stainless steel body casting
- Single sprayer
- Stainless steel shower head
- Ceramic cartridge
- Flow rate 2.2 GPM
- Height 24-13/16"
- Installation hole 1-3/8"
- Water lines and mounting parts included

KITCHEN FAUCET

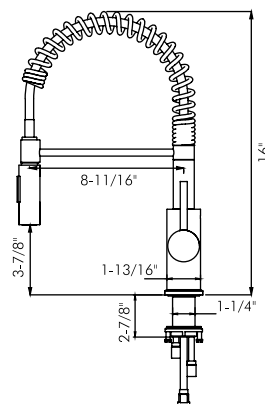


**DAX - 2141**

**FEATURES**

- Pull down shower head
- Brushed stainless steel finish
- 304 stainless steel body casting
- Single sprayer
- Stainless steel shower head
- Ceramic cartridge
- Flow rate 2.2 GPM
- Height 19-3/4"
- Installation hole 1-3/8"
- Water lines and mounting parts included

KITCHEN FAUCET

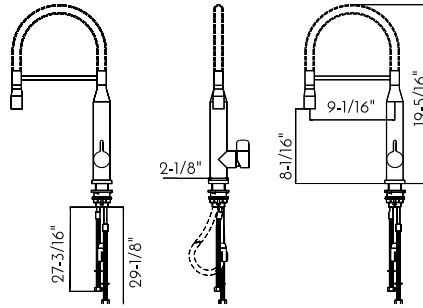


**DAX - 6965C-BN**

**FEATURES**

- Pull down shower head
- Brushed nickel finish
- Brass body casting
- Dual sprayer
- ABS shower head
- Ceramic cartridge
- Flow rate 1.5-2.2 GPM
- Height 16"
- Installation hole 1-3/8"
- Water lines and mounting parts included

KITCHEN FAUCET

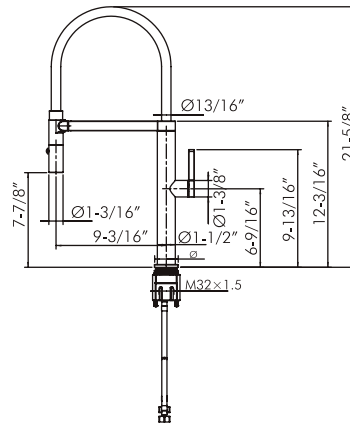


**DAX - S1095A**

**FEATURES**

- Pull down shower head
- Brushed stainless steel finish
- 304 stainless steel body casting
- Single sprayer
- Stainless steel shower head
- Ceramic cartridge
- Flow rate 2.2 GPM
- Height 19-5/16"
- Installation hole 1-3/8"
- Water lines and mounting parts included

KITCHEN FAUCET

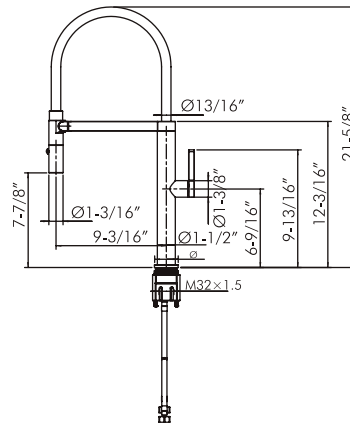


**DAX - S2417-01**

**FEATURES**

- Pull out shower head
- Gun metal finish
- Brass body casting
- Dual sprayer
- Stainless steel - ABS - Magnetic shower head
- Ceramic cartridge
- Flow rate 1.8 GPM
- Height 21-5/8"
- Installation hole 1-3/8"
- Water lines and mounting parts included

KITCHEN FAUCET

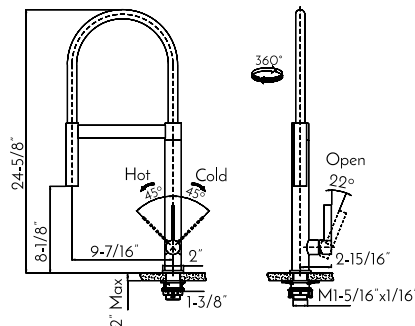


**DAX - S2417-02**

**FEATURES**

- Pull out shower head
- Black finish
- Brass body casting
- Dual sprayer
- Stainless steel - ABS - Magnetic shower head
- Ceramic cartridge
- Flow rate 1.8 GPM
- Height 21-5/8"
- Installation hole 1-3/8"
- Water lines and mounting parts included

KITCHEN FAUCET



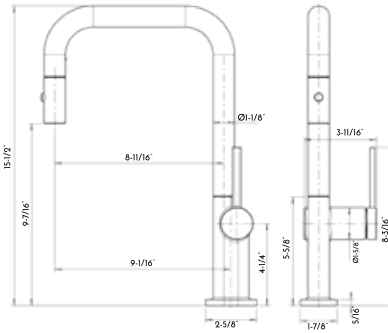
**DAX - S1450**

**FEATURES**

- Pull out shower head
- Brushed stainless steel finish
- 304 stainless steel body casting
- Dual sprayer
- Stainless steel shower head
- Ceramic cartridge
- Flow rate 2.2 GPM
- Height 24-5/8"
- Installation hole 1-3/8"
- Water lines and mounting parts included



KITCHEN FAUCET



**DAX - 8020007**

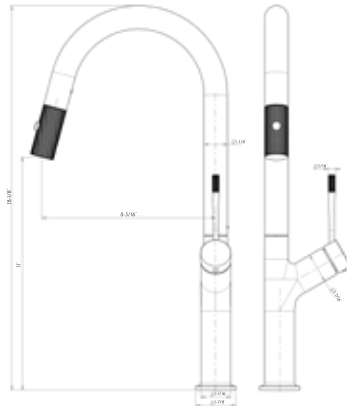
**FEATURES**

- Single Handle
- Ceramic Cartridge
- Flow Rate: 1.31 GPM
- Pull Out Mixer
- Hoses and Mounting Parts Included

**FINISH**

- DAX-8020007-BL Matt black
- DAX-8020007-BN Brushed nickel

KITCHEN FAUCET



**DAX - 8020011**

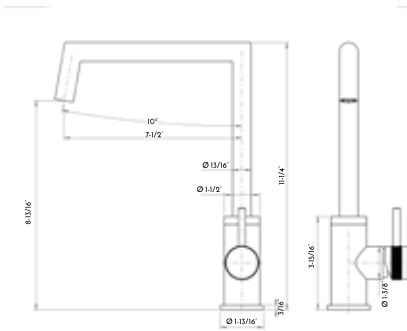
**FEATURES**

- Pull out mixer
- Single handle
- Gold finish
- Flow Rate: 1.32 GPM
- Installation Hole: 1-3/8"
- Ceramic cartridge
- Water lines and mounting parts included

**FINISH**

- DAX-8020011-BL Matt black
- DAX-8020011-BN Brushed nickel
- DAX-8020011-GL Gold

KITCHEN FAUCET



**DAX - 8020033**

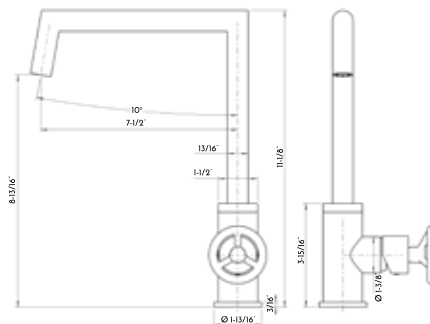
**FEATURES**

- Single Lever
- Ceramic Cartridge
- Brass Body
- Installation Hole 1-3/8"

**FINISH**

- DAX-8020033-BL Matt black
- DAX-8020033-BN Brushed nickel

KITCHEN FAUCET



**DAX - 8020034**

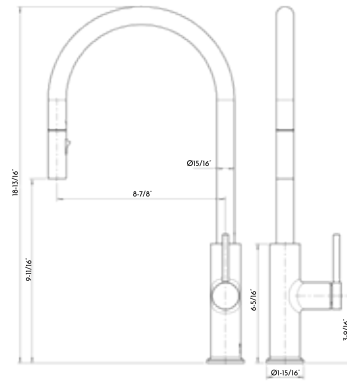
**FEATURES**

- Single Lever
- Matt Black Finish
- Installation Hole 1-3/8"
- Ceramic Cartridge
- Brass Body

**FINISH**

- DAX-8020034-BL Matt black
- DAX-8020034-CR Chrome

KITCHEN FAUCET

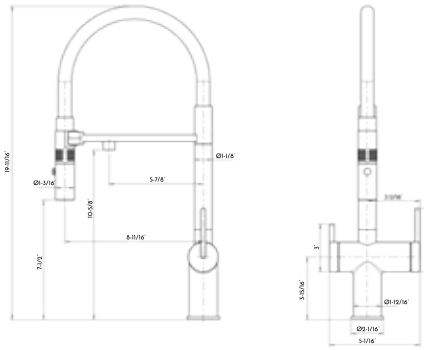


**DAX - 8020058-BL**

**FEATURES**

- Single Lever
- Flow Rate: 1.35 GPM
- Matte Black Finish
- Brass Body
- Installation Hole: 1-3/8"
- Ceramic cartridge
- Water lines and mounting parts included
- Pull Down Mixer

KITCHEN FAUCET



**DAX - 8020094**

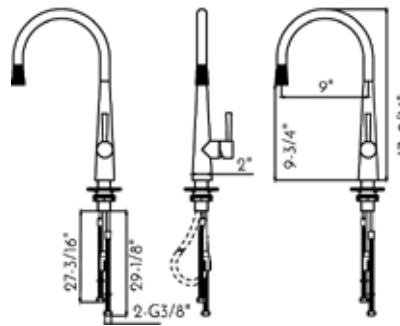
**FEATURES**

- Dual Function (Pre rinse/filter)
- Flow Rate: 1.32 GPM
- Brushed Nickel Finish
- Brass Body
- Installation Hole: 1-3/8"
- Ceramic cartridge
- Water lines and mounting parts included

**FINISH**

- DAX-8020094-BN Brushed Nickel
- DAX-8020094-CR Chrome
- DAX-8020094-BL Matt Black

KITCHEN FAUCET

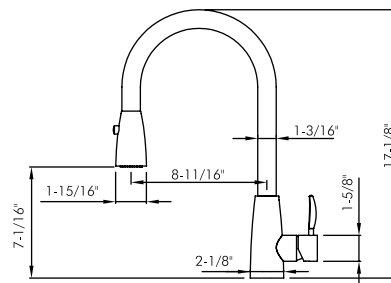


**DAX - S1087P**

**FEATURES**

- Pull down shower head
- Brushed stainless steel finish
- 304 stainless steel body casting
- Single sprayer
- Stainless steel shower head
- Ceramic cartridge
- Flow rate 2.2 GPM
- Height 17- 9/16"
- Installation hole 1-3/8"
- Water lines and mounting parts included

KITCHEN FAUCET

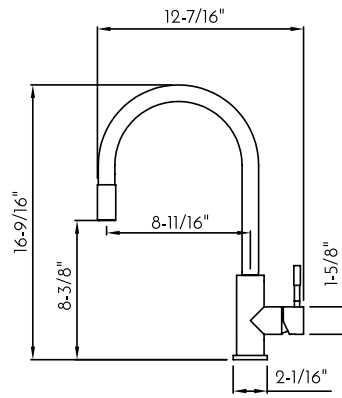


**DAX - 002-02B**

**FEATURES**

- Pull down shower head
- Brushed stainless steel finish
- 304 stainless steel body casting
- Dual sprayer
- Stainless steel shower head
- Ceramic cartridge
- Flow rate 2.2 GPM
- Height 17-1/8"
- Installation hole 1-3/8"
- Water lines and mounting parts included

KITCHEN FAUCET



**DAX - 003-02**

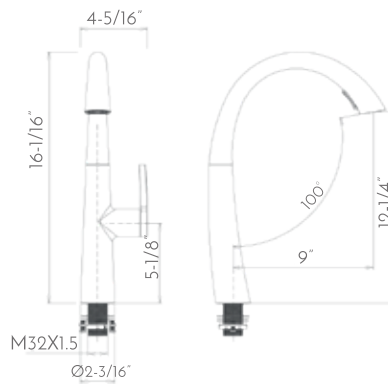
**FEATURES**

- Pull down shower head
- 304 stainless steel body casting
- Single sprayer
- Stainless steel shower head
- Ceramic cartridge
- Flow rate 2.2 GPM
- Height 16-9/16"
- Installation hole 1-3/8"
- Water lines and mounting parts included

**FINISH**

- DAX-003-02-BN Brushed stainless steel
- DAX-003-02-CR Chrome

KITCHEN FAUCET

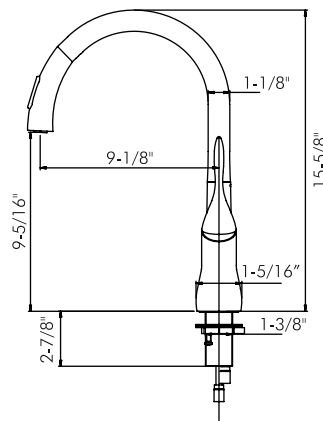


**DAX-6975A-BN**

**FEATURES**

- Single Handle
- Brushed Nickel Finish
- Flow Rate: 2.2 GPM at 60 PSI
- Brass Material
- Ceramic Cartridge

KITCHEN FAUCET

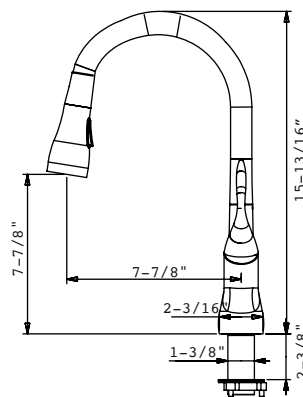


**DAX - 6985E-BN**

**FEATURES**

- Pull down shower head
- Brushed stainless steel finish
- 304 stainless steel body casting
- Single sprayer
- Stainless steel shower head
- Ceramic cartridge
- Flow rate 2.2 GPM
- Height 19-3/4"
- Installation hole 1-3/8"
- Water lines and mounting parts included

KITCHEN FAUCET



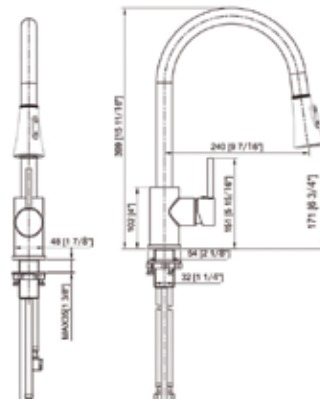
**DAX - 6995C-BN**

**FEATURES**

- Pull down shower head
- Brushed nickel finish
- Brass body casting
- Dual sprayer
- ABS shower head
- Ceramic cartridge
- Flow rate 1.5-2.2 GPM
- Height 15-13/16"
- Installation hole 1-3/8"
- Water lines and mounting parts included



KITCHEN FAUCET

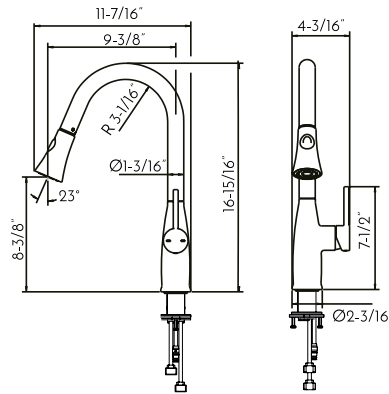


**DAX - 8880**

**FEATURES**

- Single handle pull down
- Brushed nickel finish
- 304 stainless steel body casting
- Dual sprayer
- Ceramic cartridge
- Flow rate 1.8 GPM
- Height 15-9/16"
- Installation hole 1-3/8"
- Water lines and mounting parts included
- UPC / ASME / ANSI / NSF approved
- Deck Mounted
- Drip free and spray dual control

KITCHEN FAUCET

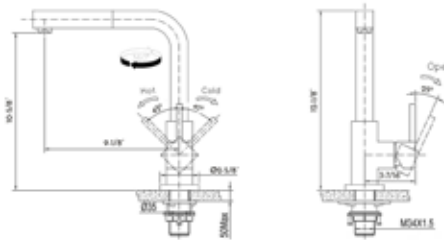


**DAX - 8887**

**FEATURES**

- Pull down shower head
- Brushed nickel finish
- Brass body casting
- Dual sprayer
- ABS shower head
- Ceramic cartridge
- Flow rate 1.8 GPM
- Height 16-15/16"
- Installation hole 1-3/8"
- Water lines and mounting parts included

KITCHEN FAUCET

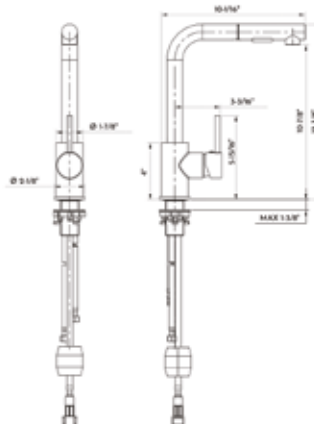


**DAX - 12072-BN**

**FEATURES**

- Single Lever
- Ceramic cartridge
- 304 Stainless Steel
- Flow rate 1.75 GPM
- UPC Approved
- Brushed Nickel Finish

KITCHEN FAUCET

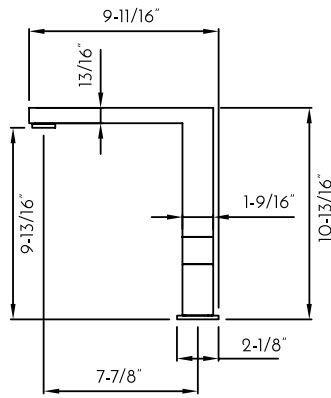


**DAX-8213-BN**

**FEATURES**

- Pull out shower head
- Ceramic Cartridge
- Brushed Stainless Steel Finish
- Flow Rate: 2.0 GPM
- Dual Sprayer
- cUPC - NSF61-9- AB1953 Approved
- Water lines and Mounting Parts Included
- Brass Body Casting

KITCHEN FAUCET

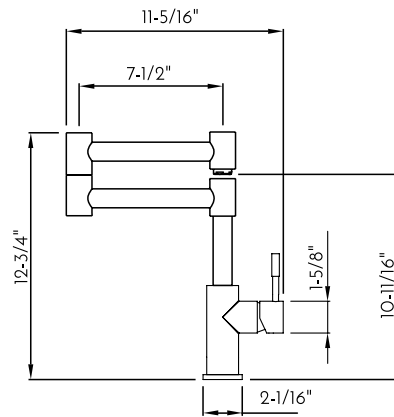


**DAX - O17-O1**

**FEATURES**

- Fixed shower head
- Brushed stainless steel finish
- 304 stainless steel body casting
- Single sprayer
- Ceramic cartridge
- Flow rate 2.2 GPM
- Height 10-13/16"
- Installation hole 1-3/8"
- Water lines and mounting parts included

KITCHEN FAUCET

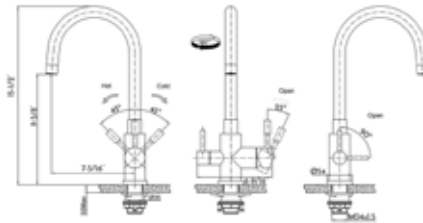


**DAX - 006-O1**

**FEATURES**

- Fixed shower head
- Brushed stainless steel finish
- 304 stainless steel body casting
- Single sprayer
- Ceramic cartridge
- Flow rate 2.2 GPM
- Height 12-3/4"
- Installation hole 1-3/8"
- Water lines and mounting parts included

KITCHEN FAUCET

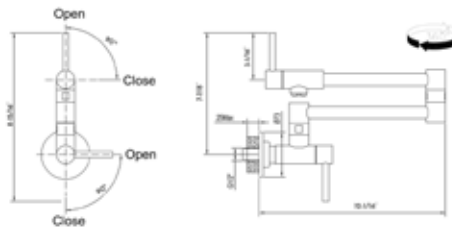


**DAX-16005-BN**

**FEATURES**

- Dual Function ( Pre rinse/filter)
- Brushed Nickel Finish
- Flow Rate: 1.75 GPM
- 304 Stainless Steel
- Ceramic Cartridge
- UPC Approved
- 304 Stainless Steel
- Ceramic Cartridge

KITCHEN FAUCET

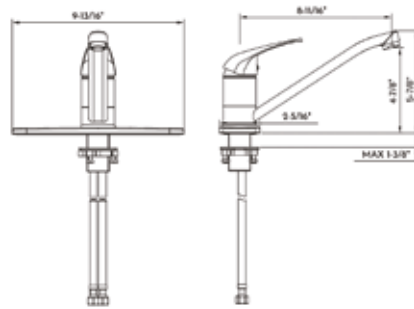


**DAX-10013-BN**

**FEATURES**

- Pot Filler
- Brushed Nickel Finish
- 304 Stainless Steel
- Flow Rate: 1.75 GPM

KITCHEN FAUCET

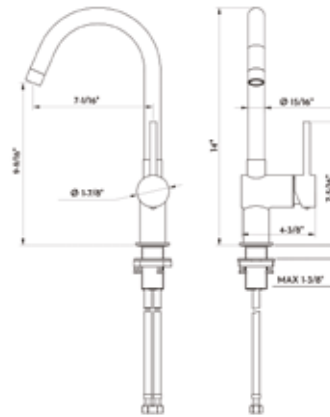


**DAX-8237-BN**

**FEATURES**

- Single Handle
- Ceramic Cartridge
- Brushed Stainless Steel Finish
- Flow Rate: 2.0 GPM
- Deck Plate Cover 9-3/4"
- Water Lines and Mounting Parts Included
- Brass Body Casting

KITCHEN FAUCET

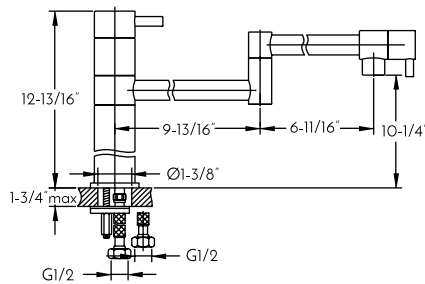


**DAX-8240-BN**

**FEATURES**

- Single Handle
- Ceramic Cartridge
- Brushed Stainless Steel Finish
- Flow Rate: 2.0 GPM
- Installation Hole 1-3/8"
- cUPC - NSF61-9 - AB1953 Approved
- Water lines and Mounting Parts Included
- Brass Body Casting

KITCHEN FAUCET

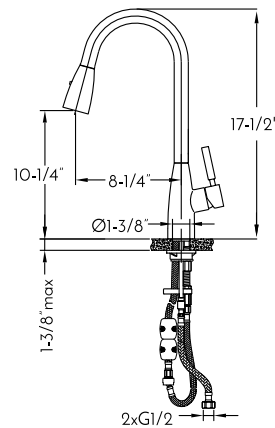


**DAX - 8729**

**FEATURES**

- Fixed shower head
- Chrome finish
- Brass body casting
- Single sprayer
- Ceramic cartridge
- Flow rate 1.8 GPM
- Height 12-13/16"
- Installation hole 1-3/8"
- Water lines and mounting parts included

KITCHEN FAUCET



**DAX - 8782**

**FEATURES**

- Pull down shower head
- Chrome finish
- Brass body casting
- Dual sprayer
- ABS shower head
- Ceramic cartridge
- Flow rate 1.8 GPM
- Height 17-1/2"
- Installation hole 1-3/8"
- Water lines and mounting parts included



DAX - 017-01







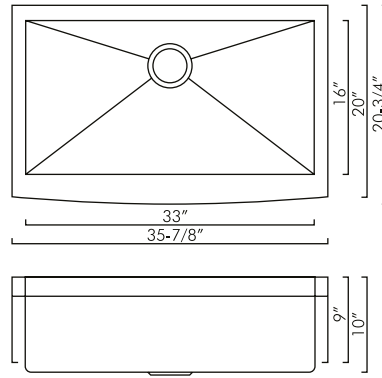




02 KITCHEN SINKS  
SERIES

---

FARMHOUSE SINK



**DAX - SQ-3621**

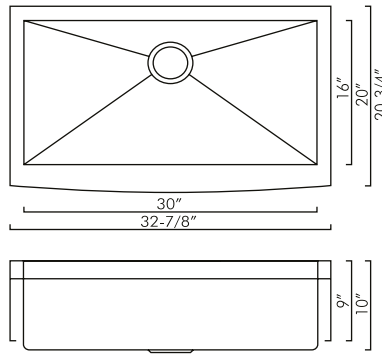
**FEATURES**

- Farm house sink
- Handmade sink
- Omm radius corner
- Undermount or overmount
- 304 Stainless Steel
- 16 gauge
- Brushed Stainless Steel
- Over all size: 35-7/8" x 20-3/4" Depth: 10"
- Standard 3-1/2" drain opening
- Undercoated and sound pads
- Mounting clips and cutting template

**ACCESSORIES**

- Bottom grid included
- Stainless steel basket strainer (1 pc included)
- Stainless steel standard strainer not included (available)
- Round stainless steel colander included
- Square stainless steel colander not included (available)
- Grey silicone dish rack not included (available)

FARMHOUSE SINK



**DAX - SQ-3321**

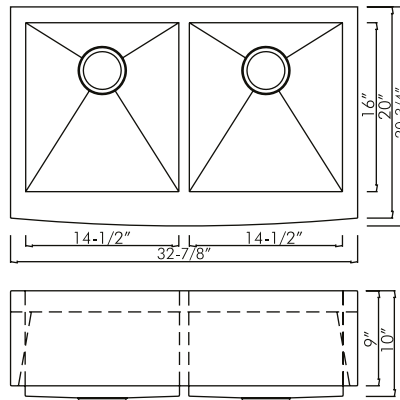
**FEATURES**

- Farm house sink
- Handmade sink
- Omm radius corner
- Undermount or overmount
- 304 Stainless Steel
- 16 gauge
- Brushed Stainless Steel
- Over all size: 32-7/8" x 20-3/4" Depth: 10"
- Standard 3-1/2" drain opening
- Undercoated and sound pads
- Mounting clips and cutting template

**ACCESSORIES**

- Bottom grid included
- Stainless steel basket strainer (1 pc included)
- Stainless steel standard strainer not included (available)
- Round stainless steel colander included
- Square stainless steel colander not included (available)
- Grey silicone dish rack not included (available)

FARMHOUSE SINK



**DAX - SQ-3320F**

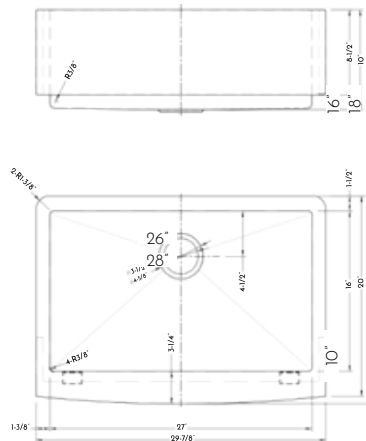
**FEATURES**

- Farm house sink
- Handmade sink
- Omm radius corner
- Undermount or overmount
- 304 Stainless Steel
- 16 gauge
- Brushed Stainless Steel
- Over all size: 32-7/8" x 20-3/4" Depth: 10"
- Standard 3-1/2" drain opening
- Undercoated and sound pads
- Mounting clips and cutting template

**ACCESSORIES**

- Bottom grid included
- Stainless steel basket strainer (1 pc included)
- Stainless steel standard strainer not included (available)
- Round stainless steel colander included
- Square stainless steel colander not included (available)
- Grey silicone dish rack not included (available)

FARMHOUSE SINK



**DAX - H3021-R10**

**FEATURES**

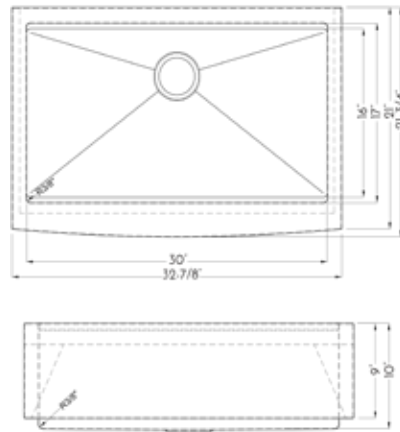
- Handmade sink
- 18 Gauge
- Farm Sink
- 304 Stainless Steel
- Brushed Stainless Steel
- Overall Size 29-7/8" x 20-3/4" x 10"
- Standard 3-1/2" drain opening
- Undercoated and sound pads
- Mounting clips and cutting template

**ACCESSORIES**

- Bottom grid included
- Strainer included



FARMHOUSE SINK



**DAX - WS3321-R10**

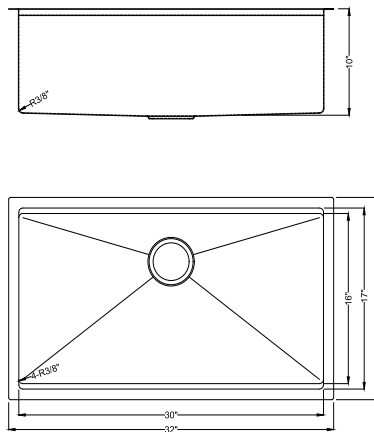
**FEAUTES**

- Handmade sink
- Apron
- 304 Stainless Steel
- 16 gauge
- Brushed finish
- Over all size: 32-7/8" x 21-3/4" x 10"
- Standard 3-1/2" drain opening
- Undercoated and sound pads
- Mounting clips and cutting template

**ACCESSORIES**

- Stainless Steel Basket strainer included
- Stainless Steel Bottom grid included
- Basing Rack included
- Wooden cutting board included
- Colander included

UNDERMOUNT INSTALLATION



**DAX - WS3219-R10**

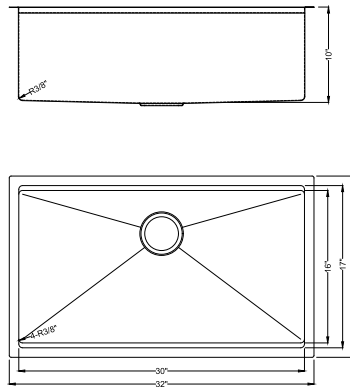
**FEAUTES**

- 304 Stainless Steel
- Undermount Installation
- Rectangular Shape
- 16 Gauge
- Brushed Finish
- Single Bowl
- Over All Size: 32" x 19" x 10"
- Cutting template
- Undecoated and Sound Pads

**ACCESSORIES**

- Bottom grid included
- Stainless steel basket strainer included
- Basing Rack included
- Colander included
- Wooden cutting board included

UNDERMOUNT INSTALLATION



**DAX - WS3019-R10**

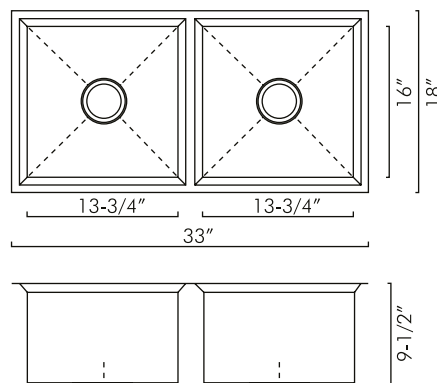
**FEAUTES**

- 304 Stainless Steel
- Undermount Installation
- Rectangular Shape
- 16 Gauge
- Brushed Finish
- Single Bowl
- Over All Size: 30" x 19" x 10"
- Cutting template
- Undercoated and Sound Pads

**ACCESSORIES**

- Bottom grid included
- Stainless steel basket strainer included
- Basing Rack included
- Colander included
- Wooden cutting board included

UNDERMOUNT SINK



**DAX - SQ-3318C**

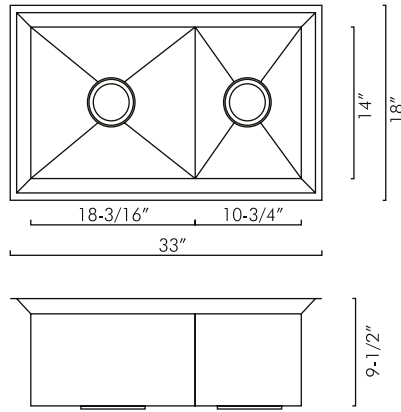
**FEATURES**

- Handmade sink
- Omm radius corner
- Undermount
- 304 Stainless Steel
- 16 gauge
- Brushed Stainless Steel - Chrome 45° lip
- Over all size 33" x 18" Depth 9 1/2"
- Standard 3 1/2" drain opening
- Undercoated and sound pads
- Mounting clips and cutting template

**ACCESSORIES**

- Bottom Grid included
- Stainless Stell Basket Strainer included
- Round Stainless Steel Colander included
- Grey silicone dish rack not included (available)

UNDERMOUNT SINK



**DAX - SQ-3318A**

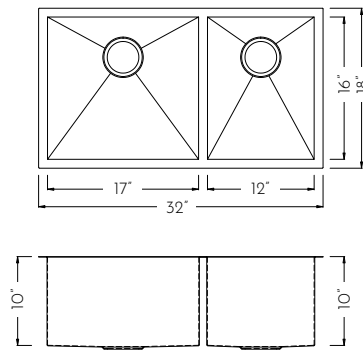
**FEATURES**

- Handmade sink
- 0mm radius corner
- Undermount
- 304 Stainless Steel
- 16 gauge
- Brushed Stainless Steel - Chrome 45° lip
- Over all size 33" x 18" Depth 9 1/2"
- Standard 3 1/2" drain opening
- Undercoated and sound pads
- Mounting clips and cutting template

**ACCESSORIES**

- Bottom Grid included
- Stainless Stell Basket Strainer included
- Round Stainless Steel Colander included
- Grey silicone dish rack not included (available)

UNDERMOUNT SINK



**DAX - SQ-3218**

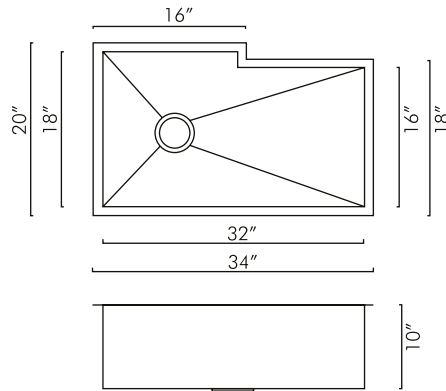
**FEAUTRES**

- Handmade sink
- 0mm radius corner
- Undermount
- 304 Stainless Steel
- 16 gauge
- Brushed Stainless Steel
- Over all size 32" x 18" Depth 10"
- Standard 3 1/2" drain opening
- Undercoated and sound pads
- Mounting clips and cutting template

**ACCESSORIES**

- Bottom grid included
- Stainless steel basket strainer (1 pc included)
- Stainless steel standard strainer not included (available)
- Round stainless stell colander included
- Square stainless steel colander not included (available)
- Grey silicone dish rack not included (available)

UNDERMOUNT SINK



**DAX - SQ-3420F**

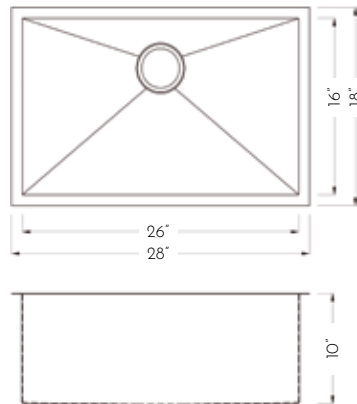
**FEATURES**

- Handmade sink
- 0mm radius corner
- Undermount
- 304 Stainless Steel
- 16 gauge
- Brushed Stainless Steel
- Over all size: 34" x 20" Depth: 10"
- Standard 3-1/2" drain opening
- Undercoated and sound pads
- Mounting clips and cutting templat

**ACCESSORIES**

- Bottom grid included
- Stainless steel basket strainer (1 pc included)
- Stainless steel standard strainer not included (available)
- Round stainless steel colander included
- Square stainless steel colander not included (available)
- Grey silicone dish rack not included (available)

UNDERMOUNT SINK



**DAX - SQ-2818**

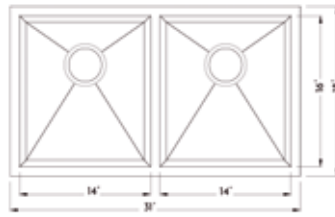
**FEAUTRES**

- Handmade sink
- 0mm radius corner
- Undermount
- 304 Stainless Steel
- 16 gauge
- Brushed Stainless Steel
- Overall size 28" x 18" Depth 10"
- Standard 3 1/2" drain opening
- Undercoated and sound pads
- Mounting clips and cutting template

**ACCESSORIES**

- Bottom grid included
- Stainless steel basket strainer (1 pc included)
- Stainless steel standard strainer not included (available)
- Round stainless steel colander included
- Square stainless steel colander not included (available)
- Grey silicone dish rack not included (available)

UNDERMOUNT SINK

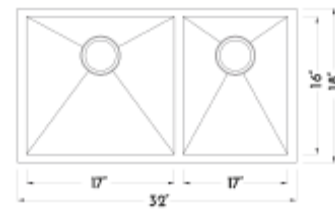
**DAX - SQ-3118A-X****FEATURES**

- Handmade sink
- 304 Stainless Steel
- Undermount installation
- Rectangular shape
- 18 gauge
- Brushed finish
- Double bowl 50/50
- Over all size: 31" x 18" (Depth: 10")
- Cutting template
- Undercoated and sound pads

**ACCESSORIES**

- Bottom grid not included (available)
- Stainless steel basket strainer not included (available)
- Stainless steel standard strainer not included (available)
- Round stainless steel colander not included (available)
- Square stainless steel colander not included (available)
- Grey silicone dish rack not included (available)

UNDERMOUNT SINK

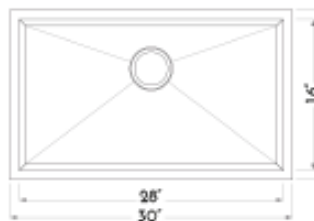
**DAX - SQ-3218-X****FEATURES**

- Handmade sink
- Omm radius corner
- Undermount
- 304 Stainless Steel
- 16 gauge
- Brushed Stainless Steel
- Size W 23" x H 8-1/2" x D 6"
- Standard 3-1/2" drain opening
- Undercoated and sound pads
- Mounting clips and cutting template

**ACCESSORIES**

- Stainless steel basket strainer not included (available)
- Stainless steel standard strainer not included (available)
- Grey silicone dish rack not included (available)

UNDERMOUNT SINK

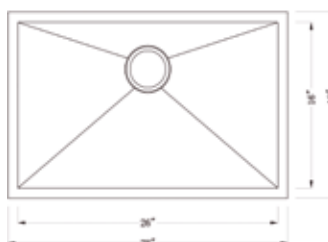
**DAX - SQ-3018-X****FEATURES**

- Handmade sink
- Omm radius corner
- Undermount
- 304 Stainless Steel
- 18 gauge
- Brushed Stainless Steel
- Over all size 30" x 18" Depth 10"
- Standard 3 1/2" drain opening
- Undercoated and sound pads
- Mounting clips and cutting template

**ACCESSORIES**

- Bottom grid not included (available)
- Stainless steel basket strainer not included (available)
- Stainless steel standard strainer not included (available)
- Round stainless steel colander not included (available)
- Square stainless steel colander not included (available)
- Grey silicone dish rack not included (available)

UNDERMOUNT SINK

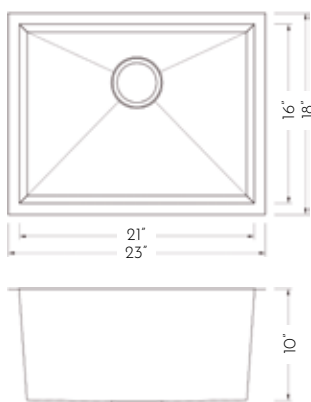
**DAX - SQ-2818-X****FEATURES**

- Handmade sink
- 304 Stainless Steel
- Undermount installation
- Rectangular shape
- 16 gauge
- Brushed finish
- UPC approved
- Over all size: 28" x 18" (Depth: 10")
- Cutting template
- Undercoated and sound pad

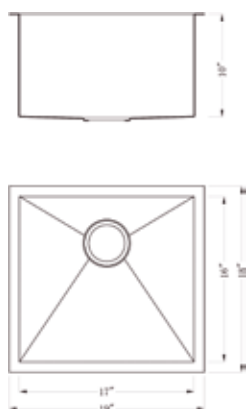
**ACCESSORIES**

- Bottom grid included
- Stainless steel basket strainer included
- Stainless steel standard strainer not included (available)
- Round stainless steel colander included
- Square stainless steel colander not included (available)
- Grey silicone dish rack not included (available)

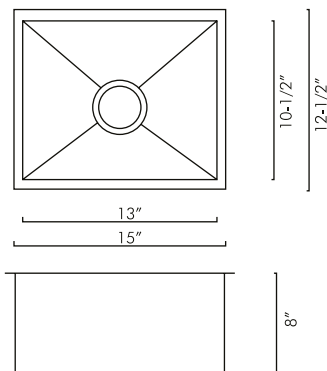
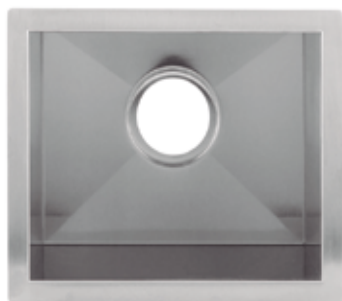
UNDERMOUNT SINK



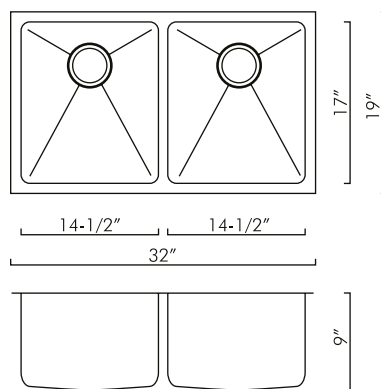
UNDERMOUNT SINK



UNDERMOUNT SINK



UNDERMOUNT SINK



### DAX - SQ-2318-X

#### FEATURES

- Handmade sink
- 0mm radius corner
- Undermount
- 304 Stainless Steel
- 18 gauge
- Brushed Stainless Steel
- Over all size 23" x 18" Depth 10"
- Standard 3 1/2" drain opening
- Undercoated and sound pads
- Mounting clips and cutting template

#### ACCESSORIES

- Bottom grid not included (available)
- Stainless steel basket strainer not included (available)
- Stainless steel standard strainer not included (available)
- Round stainless steel colander not included (available)
- Square stainless steel colander not included (available)
- Grey silicone dish rack not included (available)

### DAX - SQ-1918-X

#### FEATURES

- Handmade sink
- 0mm radius corner
- Undermount
- 304 Stainless Steel
- 18 gauge
- Brushed Stainless Steel
- Size W 23" x H 18" x D 10"
- Standard 3-1/2" drain opening
- Undercoated and sound pads
- Mounting clips and cutting template

#### ACCESSORIES

- Bottom Grid not included (available)
- Stainless Steel Basket strainer not included (available)
- Stainless steel standard strainer not included (available)
- Round stainless steel colander not included (available)
- Square stainless steel colander not included (available)
- Grey silicone dish rack not included (available)

### DAX - SQ-1512

#### FEATURES

- Handmade sink
- 0mm radius corner
- Undermount
- 304 Stainless Steel
- 16 gauge
- Brushed Stainless Steel
- Size W 15" x H 12-1/2" x D 8"
- Standard 3-1/2" drain opening
- Undercoated and sound pads
- Mounting clips and cutting template

#### ACCESSORIES

- Bottom grid included
- Stainless steel basket strainer (1 pc included)
- Stainless steel standard strainer not included (available)
- Round stainless steel colander included
- Grey silicone dish rack not included (available)

### DAX - 3118B

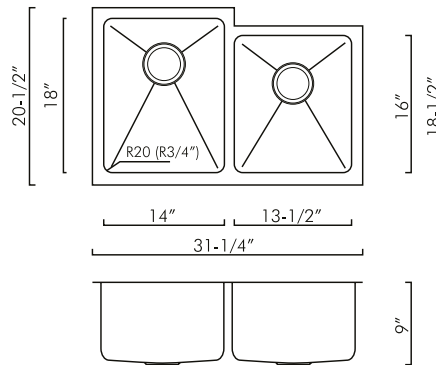
#### FEATURES

- Handmade sink
- 15 mm radius corner
- Undermount
- 304 Stainless Steel
- 18 gauge
- Brushed Stainless Steel
- Over all size: 32" x 19" Depth: 9"
- Standard 3-1/2" drain opening
- Undercoated and sound pads
- Mounting clips and cutting template

#### ACCESSORIES

- Bottom grid included
- Stainless steel basket strainer (1 pc included)
- Stainless steel basket strainer (1 pc included)
- Stainless steel standard strainer not included (available)
- Round stainless steel colander included
- Square stainless steel colander not included (available)
- Grey silicone dish rack not included (available)

UNDERMOUNT SINK

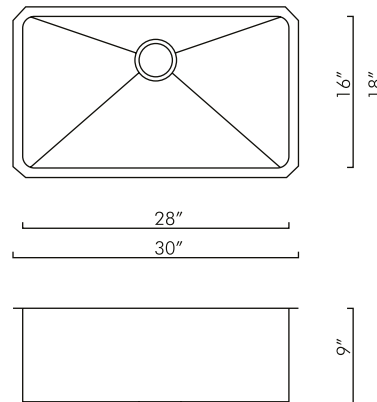
**DAX - 3120-B****FEATURES**

- Handmade sink
- 15 mm radius corner
- Undermount
- 304 Stainless Steel
- 18 gauge
- Brushed Stainless Steel
- Over all size: 31-1/4" x 20-1/2" Depth: 9"
- Standard 3-1/2" drain opening
- Undercoated and sound pads
- Mounting clips and cutting template

**ACCESSORIES**

- Bottom grid included
- Stainless steel basket strainer (1 pc included)
- Stainless steel basket strainer (1 pc included)
- Stainless steel standard strainer not included (available)
- Round stainless steel colander included
- Square stainless steel colander not included (available)
- Grey silicone dish rack not included (available)

UNDERMOUNT SINK

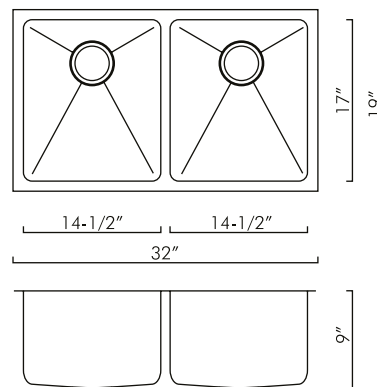
**DAX - 3018B-X****FEATRES**

- Handmade sink
- 15mm radius corner
- Undermount
- 304 Stainless Steel
- 18 gauge
- Brushed Stainless Steel
- Over all size: 30" x 18" Depth: 9"
- Standard 3 1/2" drain opening
- Undercoated and sound pads
- Mounting clips and cutting template

**ACCESSORIES**

- Bottom grid not included (available)
- Stainless steel basket strainer not included (available)
- Stainless steel standard strainer not included (available)
- Round stainless stell colander not included (available)
- Square stainless steel colander not included (available)
- Grey silicone dish rack not included (available)

UNDERMOUNT SINK

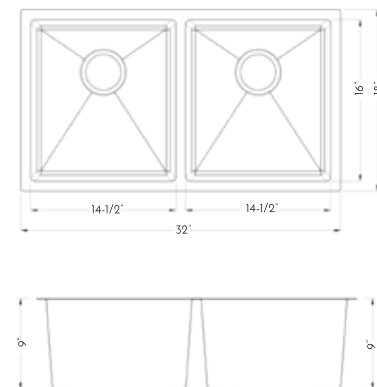
**DAX - 3118B-X****FEATRES**

- Handmade sink
- 15mm radius corner
- Undermount
- 304 Stainless Steel
- 18 gauge
- Brushed Stainless Steel
- Over all size: 32" x 19" Depth: 9"
- Standard 3 1/2" drain opening
- Undercoated and sound pads
- Mounting clips and cutting template

**ACCESSORIES**

- Bottom grid not included (available)
- Stainless steel basket strainer not included (available)
- Stainless steel standard strainer not included (available)
- Round stainless stell colander not included (available)
- Square stainless steel colander not included (available)
- Grey silicone dish rack not included (available)

UNDERMOUNT SINK

**DAX - T3218-R10****FEATURES**

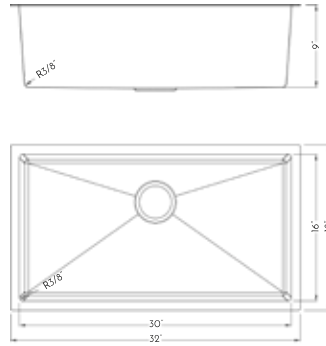
- Double Bowl
- Undermount
- 304 Stainless Steel
- 18 gauge
- Brushed finish
- Over all Size W 32" x H 18" x D 9"
- Standard 3-1/2" drain opening
- Undercoated and sound pads
- Mounting clips and cutting template

**ACCESSORIES**

- Stainless steel basket strainer not included (available)
- Stainless steel bottom grid not included (available)



UNDERMOUNT SINK



**DAX - T3318-R10**

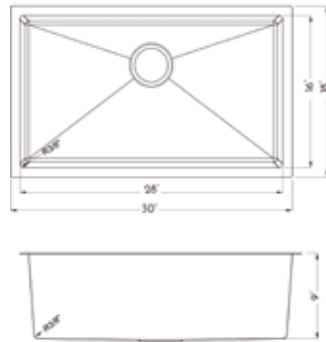
**FEATURES**

- Single Bowl
- 18 Gauge
- 304 Stainless Steel
- Brushed Stainless Steel
- Overall Size 32" x 18" x 9"
- Standard 3-1/2" drain opening
- Undercoated and sound pads
- Mounting clips and cutting template

**ACCESSORIES**

- Bottom Grid not included (Available)

UNDERMOUNT SINK



**DAX - T3018-R10**

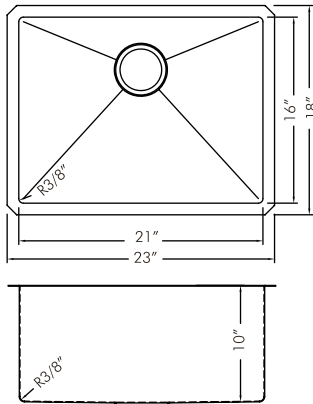
**FEATURES**

- Single Bowl
- Undermount
- 304 Stainless Steel
- 18 gauge
- Brushed finish
- Over all size W 30" x H 18" x D 9"
- Standard 3-1/2" drain opening
- Undercoated and sound pads
- Mounting clips and cutting template

**ACCESSORIES**

- Stainless Steel Basket strainer included
- Stainless Steel Bottom grid included

UNDERMOUNT SINK



**DAX - T2318-R10**

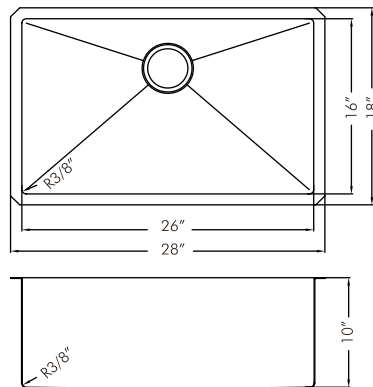
**FEATURES**

- Handmade sink
- 10 mm radius corner
- Undermount
- 304 Stainless Steel
- 18 gauge
- Brushed Stainless Steel
- Over all size: 23" x 18" Depth: 10"
- Standard 3-1/2" drain opening
- Undercoated and sound pads
- Mounting clips and cutting template

**ACCESSORIES**

- Bottom grid included
- Stainless steel basket strainer (1 pc included)
- Stainless steel standard strainer not included (available)
- Square stainless steel colander not included (available)
- Grey silicone dish rack included

UNDERMOUNT SINK



**DAX - 2818-R10**

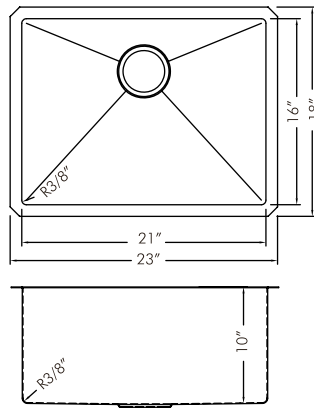
**FEATURES**

- Handmade sink
- 10 mm radius corner
- Undermount
- 304 Stainless Steel
- 18 gauge
- Brushed Stainless Steel
- Over all size: 28" x 18" Depth: 10"
- Standard 3-1/2" drain opening
- Undercoated and sound pads
- Mounting clips and cutting template

**ACCESSORIES**

- Bottom grid included
- Stainless steel basket strainer (1 pc included)
- Stainless steel standard strainer not included (available)
- Square stainless steel colander not included (available)
- Grey silicone dish rack included

UNDERMOUNT SINK

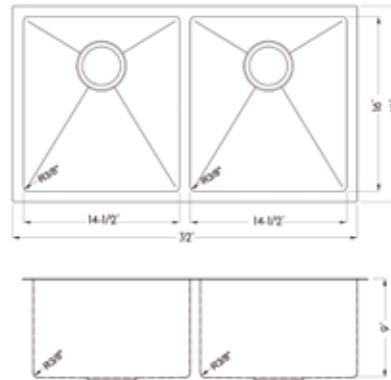
**DAX - 2318-R10****FEATURES**

- Handmade sink
- 10 mm radius corner
- Undermount
- 304 Stainless Steel
- 18 gauge
- Brushed Stainless Steel
- Over all size: 23" x 18" Depth: 10"
- Standard 3-1/2" drain opening
- Undercoated and sound pads
- Mounting clips and cutting template

**ACCESSORIES**

- Bottom grid included
- Stainless steel basket strainer (1 pc included)
- Stainless steel standard strainer not included (available)
- Square stainless steel colander not included (available)
- Grey silicone dish rack included

UNDERMOUNT SINK

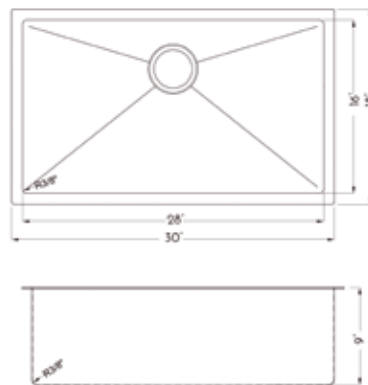
**DAX - NB3218-R10-X****FEAUTRES**

- Handmade sink
- Undermount
- 304 Stainless Steel
- 18 gauge
- Nano Black finish
- Over all size: 32" x 18" x 9"
- Standard 3-1/2" drain opening
- Undercoated and sound pads
- Mounting clips and cutting template

**ACCESSORIES**

- Stainless Steel Basket strainer included
- Stainless Steel Bottom grid included
- Wooden cutting board included

UNDERMOUNT SINK

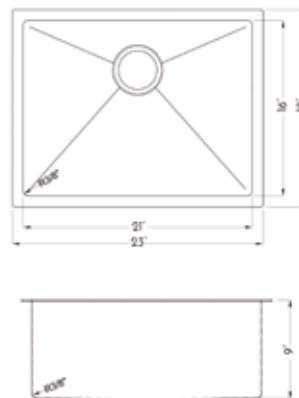
**DAX - NB3018-R10-X****FEATURES**

- Handmade sink
- Undermount
- 304 Stainless Steel
- 18 gauge
- Nano Black finish
- Size W 30" x H 18" x D 9"
- Standard 3-1/2" drain opening
- Undercoated and sound pads
- Mounting clips and cutting template

**ACCESSORIES**

- Stainless steel basket strainer not included (available)
- Stainless steel bottom grid not included (available)
- Wooden cutting board

UNDERMOUNT SINK

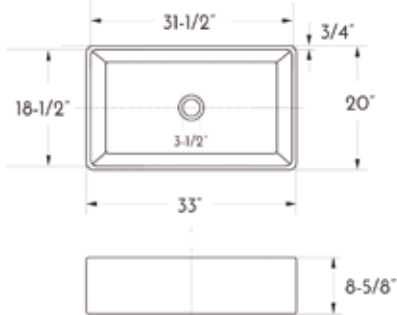
**DAX - NB2318-R10-X****FEATURES**

- 304 Stainless Steel
- Undermount Installation
- Rectangular Shape
- 18 Gauge
- Nano Black finish
- Single Bowl
- Over All Size: W 23" x H 18" x D 9"
- Cutting template
- Undercoated and Sound Pads

**ACCESSORIES**

- Stainless steel basket strainer not included (available)
- Stainless steel bottom grid not included (available)
- Wooden cutting board

CERAMIC APRON SINK



**DAX - C3320**

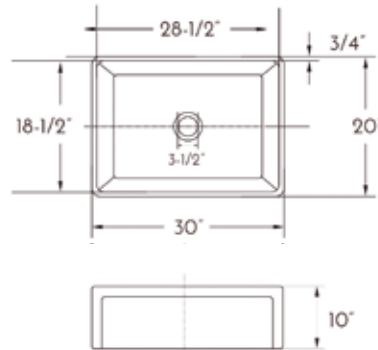
**FEATURES**

- 10mm radius corner
- Undermount or overmount
- Ceramic farmhouse sink
- Reversible apron
- White Finish
- Over all size 33" x 20" Depth: 8 5/8"
- Standard 3 1/2" drain opening

**ACCESSORIES**

- Ceramic basket strainer not included (available)

CERAMIC APRON SINK



**DAX - C3020**

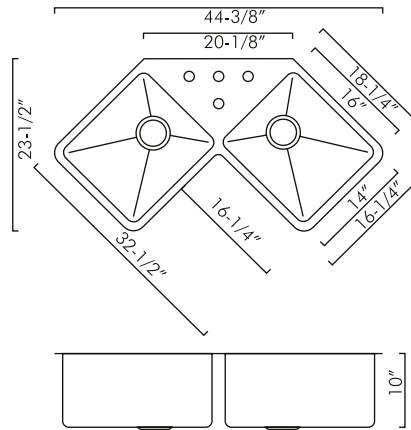
**FEATURES**

- 10mm radius corner
- Undermount or overmount
- Ceramic farmhouse sink
- Reversible apron
- White Finish
- Over all size 30" x 20" Depth: 10"
- Standard 3 1/2" drain opening

**ACCESSORIES**

- Ceramic basket strainer not included (available)

UNDERMOUNT SINK



**DAX - 334**

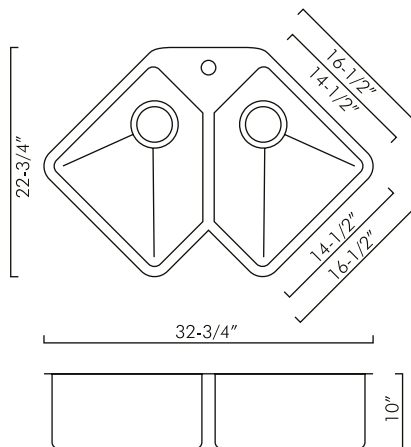
**FEATURES**

- Handmade sink
- 15mm radius corner
- Undermount
- 304 Stainless Steel
- 16 gauge
- Brushed Stainless Steel
- Size W 44-3/8" x H 23-1/2" x D 10"
- Standard 3-1/2" drain opening
- Undercoated and sound pads

**ACCESSORIES**

- Bottom grid included
- Stainless steel basket strainer (1 pc included)
- Stainless steel standard strainer not included (available)
- Round stainless steel colander included
- Grey silicone dish rack not included (available)

UNDERMOUNT SINK



**DAX - 347**

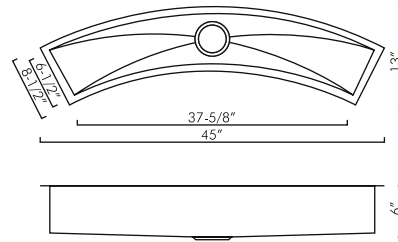
**FEATURES**

- Handmade sink
- 15mm radius corner
- Undermount
- 304 Stainless Steel
- 16 gauge
- Brushed Stainless Steel
- Size W 32-3/4" x H 22-3/4" x D 10"
- Standard 3-1/2" drain opening
- Undercoated and sound pads
- Mounting clips and cutting template

**ACCESSORIES**

- Bottom grid included
- Stainless steel basket strainer (1 pc included)
- Stainless steel standard strainer not included (available)
- Round stainless steel colander included
- Grey silicone dish rack not included (available)

BAR SINK

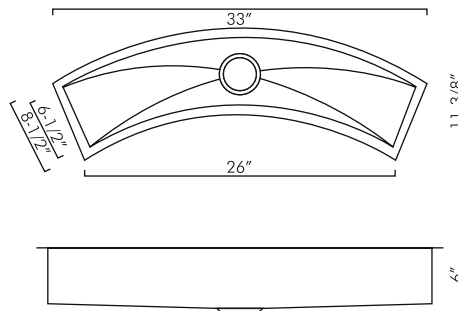
**DAX - SQ-4512-C****FEATURES**

- Handmade sink
- Omm radius corner
- Undermount
- 304 Stainless Steel
- 16 gauge
- Brushed Stainless Steel
- Size W 45" x H 13" x D 6"
- Standard 3-1/2" drain opening
- Undercoated and sound pads
- Mounting clips and cutting template

**ACCESSORIES**

- Stainless steel basket strainer not included (available)
- Stainless steel standard strainer not included (available)
- Grey silicone dish rack not included (available)

BAR SINK

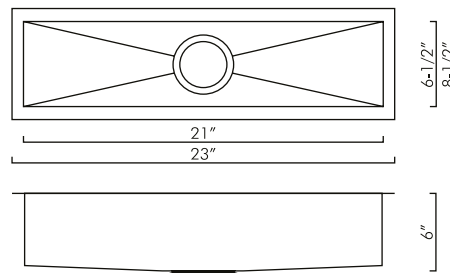
**DAX - SQ-3312-C****FEATURES**

- Handmade sink
- Omm radius corner
- Undermount
- 304 Stainless Steel
- 16 gauge
- Brushed Stainless Steel
- Over all size: 33" x 11-3/8" Depth: 6"
- Standard 3-1/2" drain opening
- Undercoated and sound pads
- Mounting clips and cutting template

**ACCESSORIES**

- Stainless steel basket strainer not included (available)
- Stainless steel standard strainer not included (available)
- Grey silicone dish rack not included (available)

BAR SINK

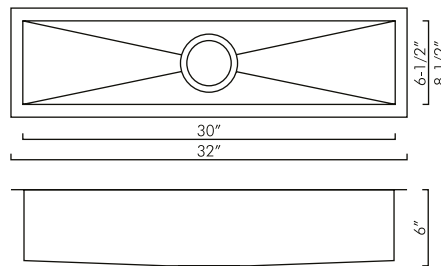
**DAX - SQ-2385****FEATURES**

- Handmade sink
- Omm radius corner
- Undermount
- 304 Stainless Steel
- 16 gauge
- Brushed Stainless Steel
- Over all size: 23" x 8-1/2" Depth: 6"
- Standard 3-1/2" drain opening
- Undercoated and sound pads
- Mounting clips and cutting template

**ACCESSORIES**

- Stainless steel basket strainer not included (available)
- Stainless steel standard strainer not included (available)
- Grey silicone dish rack not included (available)

BAR SINK

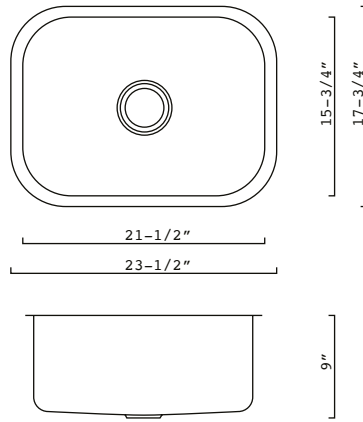
**DAX - SQ-3285****FEATURES**

- Handmade sink
- Omm radius corner
- Undermount
- 304 Stainless Steel
- 16 gauge
- Brushed Stainless Steel
- Over all size: 32" x 8-1/2" Depth: 6"
- Standard 3-1/2" drain opening
- Undercoated and sound pads
- Mounting clips and cutting template

**ACCESSORIES**

- Stainless steel basket strainer not included (available)
- Stainless steel standard strainer not included (available)
- Grey silicone dish rack not included (available)

UNDERMOUNT SINK



**KA - 2317**

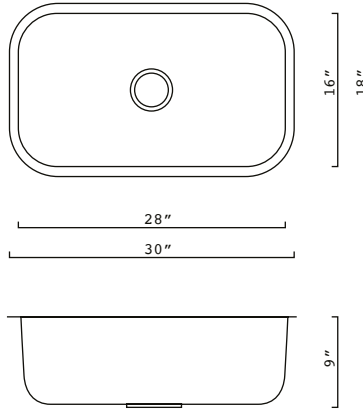
**FEATURES**

- Pressed sink
- Undermount
- 304 Stainless Steel
- 18 gauge
- Brushed Stainless Steel
- Size W 23-1/2" x H 17-3/4" x D 9"
- Standard 3-1/2" drain opening
- Undercoated and sound pads
- Mounting clips and cutting template

**ACCESSORIES**

- Bottom grid not included (available)
- Stainless steel basket strainer not included (available)
- Stainless steel standard strainer not included (available)
- Round stainless steel colander not included (available)
- Grey silicone dish rack not included (available)

UNDERMOUNT SINK



**KA - 3018**

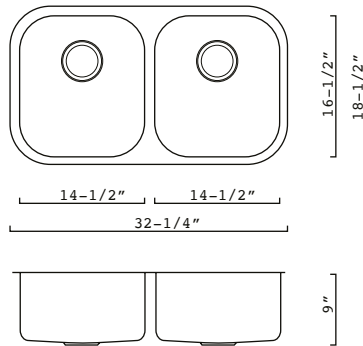
**FEATURES**

- Pressed sink
- Undermount
- 304 Stainless Steel
- 18 gauge
- Brushed Stainless Steel
- Size W 30" x H 18" x D 9"
- Standard 3-1/2" drain opening
- Undercoated and sound pads
- Mounting clips and cutting template

**ACCESSORIES**

- Bottom grid not included (available)
- Stainless steel basket strainer not included (available)
- Stainless steel standard strainer not included (available)
- Round stainless steel colander not included (available)
- Grey silicone dish rack not included (available)

UNDERMOUNT SINK



**KA - 3118**

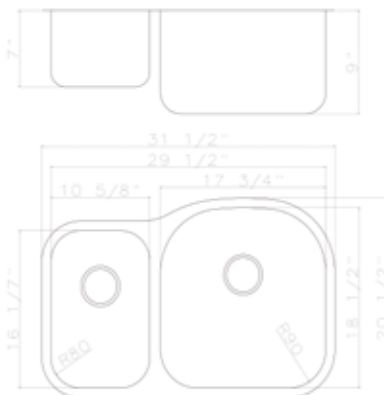
**FEATURES**

- Pressed sink
- Undermount
- 304 Stainless Steel
- 18 gauge
- Brushed Stainless Steel
- Size W 32-1/4" x H 18-1/2" x D 9"
- Standard 3-1/2" drain opening
- Undercoated and sound pads
- Mounting clips and cutting template

**ACCESSORIES**

- Bottom grid not included (available)
- Stainless steel basket strainer not included (available)
- Stainless steel standard strainer not included (available)
- Round stainless steel colander not included (available)
- Grey silicone dish rack not included (available)

UNDERMOUNT SINK



**DAX - 3121R**

**FEATURES**

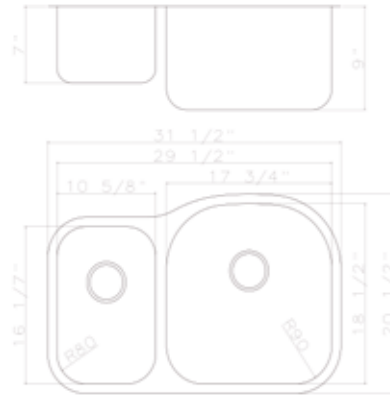
- Pressed sink
- Undermount
- 304 Stainless Steel
- 18 gauge
- Brushed Stainless Steel
- Size W 31-1/2" x H 20-1/2" x D 9"
- Standard 3-1/2" drain opening
- Undercoated and sound pads
- Mounting clips and cutting template

**ACCESSORIES**

- Bottom grid not included (available)
- Stainless steel basket strainer not included (available)
- Stainless steel standard strainer not included (available)
- Round stainless steel colander not included (available)
- Grey silicone dish rack not included (available)



UNDERMOUNT SINK

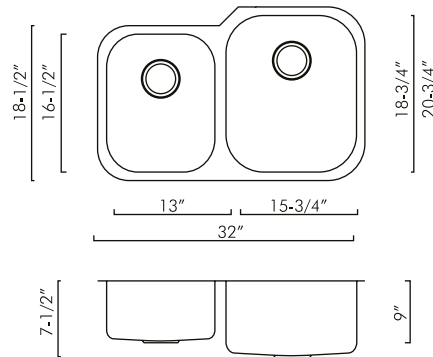
**DAX - 3121L****FEATURES**

- Pressed sink
- Undermount
- 304 Stainless Steel
- 18 gauge
- Brushed Stainless Steel
- Size W 31-1/2" x H 20-1/2" x D 9"
- Standard 3-1/2" drain opening
- Undercoated and sound pads
- Mounting clips and cutting template

**ACCESSORIES**

- Bottom grid not included (available)
- Stainless steel basket strainer not included (available)
- Stainless steel standard strainer not included (available)
- Round stainless steel colander not included (available)
- Grey silicone dish rack not included (available)

UNDERMOUNT SINK

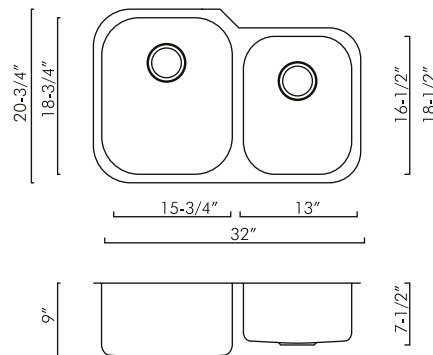
**DAX - 3120R****FEATURES**

- Pressed sink
- Undermount
- 304 Stainless Steel
- 18 gauge
- Brushed Stainless Steel
- Size W 32" x H 20-3/4" x D 9"
- Standard 3-1/2" drain opening
- Undercoated and sound pads
- Mounting clips and cutting template

**ACCESSORIES**

- Bottom grid not included (available)
- Stainless steel basket strainer not included (available)
- Stainless steel standard strainer not included (available)
- Round stainless steel colander not included (available)
- Grey silicone dish rack not included (available)

UNDERMOUNT SINK

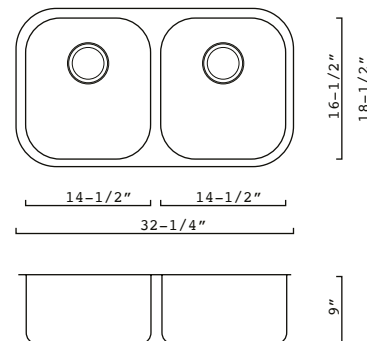
**DAX - 3120L****FEATURES**

- Farm house sink
- Handmade sink
- Omm radius corner
- Undermount or overmount
- 304 Stainless Steel
- Apron: 16 gauge
- Bowl: 18 gauge
- Brushed Stainless Steel
- Size W 35-7/8" x H 20-3/4" x D 10"
- Standard 3-1/2" drain opening
- Undercoated and sound pads
- Mounting clips and cutting template

**ACCESSORIES**

- Bottom grid not included (available)
- Stainless steel basket strainer not included (available)
- Stainless steel standard strainer not included (available)
- Square stainless steel colander not included (available)
- Grey silicone dish rack not included (available)

UNDERMOUNT SINK

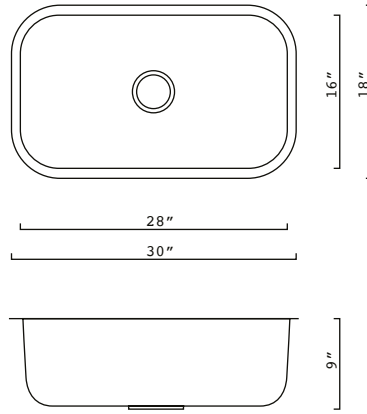
**DAX - 3118****FEATURES**

- Pressed sink
- Undermount
- 304 Stainless Steel
- 18 gauge
- Brushed Stainless Steel
- Size W 32-1/4" x H 18-1/2" x D 9"
- Standard 3-1/2" drain opening
- Undercoated and sound pads
- Mounting clips and cutting template

**ACCESSORIES**

- Bottom grid not included (available)
- Stainless steel basket strainer not included (available)
- Stainless steel standard strainer not included (available)
- Round stainless steel colander not included (available)
- Grey silicone dish rack not included (available)

UNDERMOUNT SINK



**DAX - 3018**

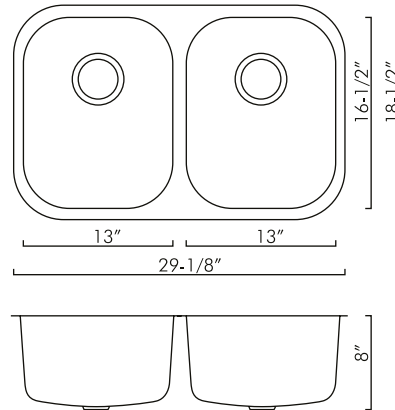
**FEATURES**

- Pressed sink
- Undermount
- 304 Stainless Steel
- 18 gauge
- Brushed Stainless Steel
- Size W 30" x H 18" x D 9"
- Standard 3-1/2" drain opening
- Undercoated and sound pads
- Mounting clips and cutting template

**ACCESSORIES**

- Bottom grid not included (available)
- Stainless steel basket strainer not included (available)
- Stainless steel standard strainer not included (available)
- Round stainless steel colander not included (available)
- Grey silicone dish rack not included (available)

UNDERMOUNT SINK



**DAX - 2918**

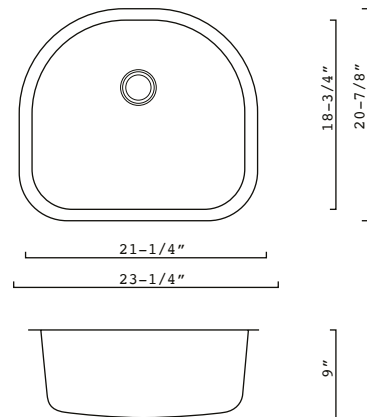
**FEATURES**

- Pressed sink
- Undermount
- 304 Stainless Steel
- 18 gauge
- Brushed Stainless Steel
- Size W 29-1/8" x H 18-1/2" x D 8"
- Standard 3-1/2" drain opening
- Undercoated and sound pads
- Mounting clips and cutting template

**ACCESSORIES**

- Bottom grid not included (available)
- Stainless steel basket strainer not included (available)
- Stainless steel standard strainer not included (available)
- Round stainless steel colander not included (available)
- Grey silicone dish rack not included (available)

UNDERMOUNT SINK



**DAX - 2321**

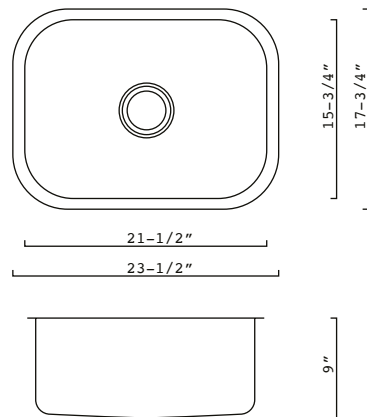
**FEATURES**

- Pressed sink
- Undermount
- 304 Stainless Steel
- 18 gauge
- Brushed Stainless Steel
- Size W 23-1/4" x H 20-7/8" x D 9"
- Standard 3-1/2" drain opening
- Undercoated and sound pads
- Mounting clips and cutting template

**ACCESSORIES**

- Bottom grid not included (available)
- Stainless steel basket strainer not included (available)
- Stainless steel standard strainer not included (available)
- Round stainless steel colander not included (available)
- Grey silicone dish rack not included (available)

UNDERMOUNT SINK



**DAX - 2317**

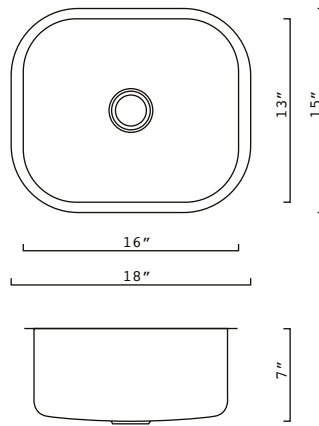
**FEATURES**

- Pressed sink
- Undermount
- 304 Stainless Steel
- 18 gauge
- Brushed Stainless Steel
- Size W 23-1/2" x H 17-3/4" x D 9"
- Standard 3-1/2" drain opening
- Undercoated and sound pads
- Mounting clips and cutting template

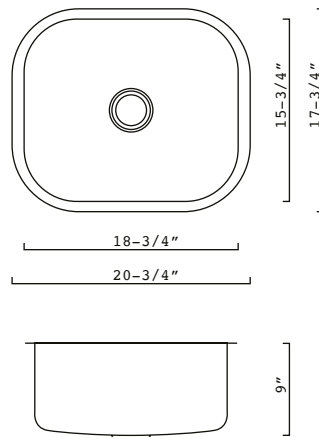
**ACCESSORIES**

- Bottom grid not included (available)
- Stainless steel basket strainer not included (available)
- Stainless steel standard strainer not included (available)
- Round stainless steel colander not included (available)
- Grey silicone dish rack not included (available)

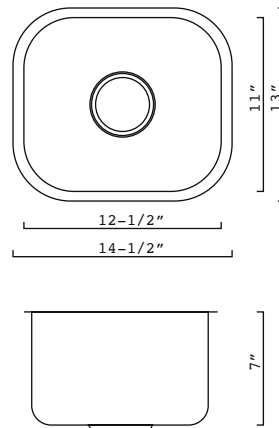
UNDERMOUNT SINK



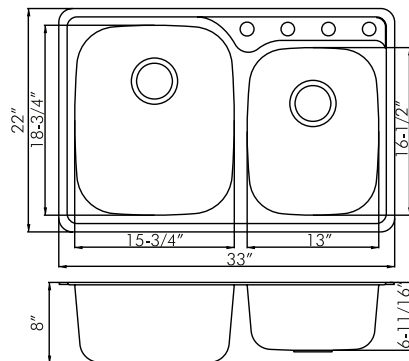
UNDERMOUNT SINK



UNDERMOUNT SINK



OVERMOUNT SINK



**DAX - 1815**

**FEATURES**

- Pressed sink
- Undermount
- 304 Stainless Steel
- 18 gauge
- Brushed Stainless Steel
- Size W 18" x H 15" x D 7"
- Standard 3-1/2" drain opening
- Undercoated and sound pads
- Mounting clips and cutting template

**ACCESSORIES**

- Bottom grid not included (available)
- Stainless steel basket strainer not included (available)
- Stainless steel standard strainer not included (available)
- Round stainless steel colander not included (available)
- Grey silicone dish rack not included (available)

**DAX - 1720**

**FEATURES**

- Pressed sink
- Undermount
- 304 Stainless Steel
- 18 gauge
- Brushed Stainless Steel
- Size W 20-3/4" x H 17-3/4" x D 9"
- Standard 3-1/2" drain opening
- Undercoated and sound pads
- Mounting clips and cutting template

**ACCESSORIES**

- Bottom grid not included (available)
- Stainless steel basket strainer not included (available)
- Stainless steel standard strainer not included (available)
- Round stainless steel colander not included (available)
- Grey silicone dish rack not included (available)

**DAX - 1214**

**FEATURES**

- Pressed sink
- Undermount
- 304 Stainless Steel
- 18 gauge
- Brushed Stainless Steel
- Size W 14-1/2" x H 13" x D 7"
- Standard 3-1/2" drain opening
- Undercoated and sound pads

**ACCESSORIES**

- Bottom grid not included (available)
- Stainless steel basket strainer not included (available)
- Stainless steel standard strainer not included (available)
- Round stainless steel colander not included (available)
- Grey silicone dish rack not included (available)

**DAX - OM-911**

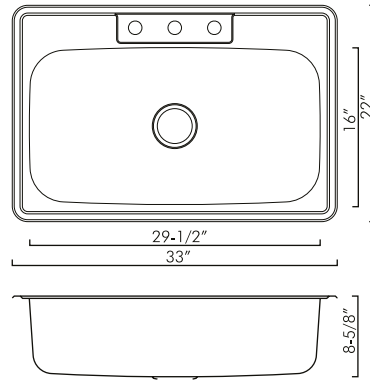
**FEATURES**

- Pressed sink
- Overmount
- 304 Stainless Steel
- 20 gauge
- Brushed Stainless Steel
- Over all size: 33" x 22" Depth: 8"
- Standard 3-1/2" drain opening
- Undercoated and sound pads
- Mounting clips

**ACCESSORIES**

- Bottom grid not included (available)
- Stainless steel basket strainer not included (available)
- Stainless steel standard strainer not included (available)
- Dish rack not included (available)
- Grey silicone dish rack not included (available)

OVERMOUNT SINK



**DAX - OM-3323**

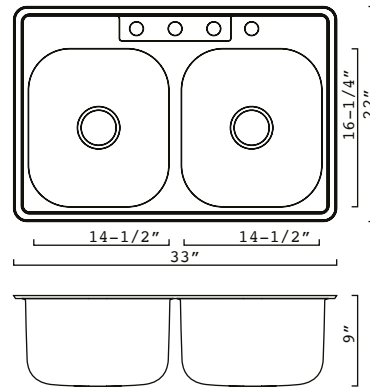
**FEATURES**

- Pressed sink
- Overmount
- 304 Stainless Steel
- 20 gauge
- Brushed Stainless Steel
- Over all size: 33" x 22" Depth: 8-5/8"
- Standard 3-1/2" drain opening
- Undercoated and sound pads
- Mounting clips

**ACCESSORIES**

- Bottom grid not included (available)
- Stainless steel basket strainer not included (available)
- Stainless steel standard strainer not included (available)
- Dish rack not included (available)
- Grey silicone dish rack not included (available)

OVERMOUNT SINK



**DAX - OM-3322**

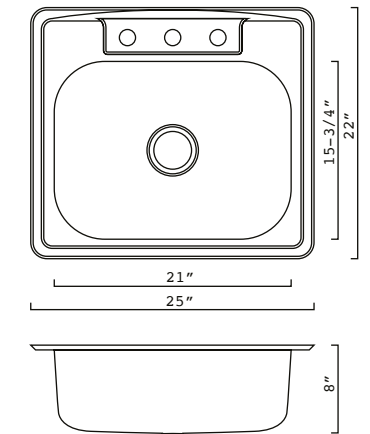
**FEATURES**

- Pressed sink
- Overmount
- 304 Stainless Steel
- 20 gauge
- Brushed Stainless Steel
- Over all size: 33" x 22" Depth: 9"
- Standard 3-1/2" drain opening
- Undercoated and sound pads
- Mounting clips

**ACCESSORIES**

- Bottom grid not included (available)
- Stainless steel basket strainer not included (available)
- Stainless steel standard strainer not included (available)
- Dish rack not included (available)
- Grey silicone dish rack not included (available)

OVERMOUNT SINK



**DAX - OM-2522**

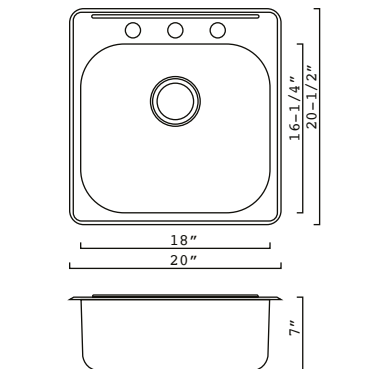
**FEATURES**

- Pressed sink
- Overmount
- 304 Stainless Steel
- 20 gauge
- Brushed Stainless Steel
- Over all size: 25" x 22" Depth: 8"
- Standard 3-1/2" drain opening
- Undercoated and sound pads
- Mounting clips

**ACCESSORIES**

- Bottom grid not included (available)
- Stainless steel basket strainer not included (available)
- Stainless steel standard strainer not included (available)
- Dish rack not included (available)
- Grey silicone dish rack not included (available)

OVERMOUNT SINK



**DAX - OM-2020**

**FEATURES**

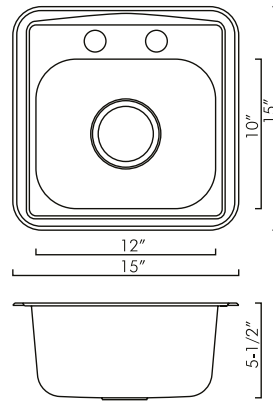
- Pressed sink
- Undermount
- 304 Stainless Steel
- 20 gauge
- Brushed Stainless Steel
- Size W 20" x H 20 1/2" Depth: 8"
- Standard 3-1/2" drain opening
- Undercoated and sound pads
- Mounting clips and cutting template

**ACCESSORIES**

- Bottom grid not included (available)
- Stainless steel basket strainer not included (available)
- Stainless steel standard strainer not included (available)
- Round stainless steel colander not included (available)
- Grey silicone dish rack not included (available)



OVERMOUNT SINK

**DAX - OM-1515****FEATURES**

- Pressed sink
- Undermount
- 304 Stainless Steel
- 23 gauge
- Brushed Stainless Steel
- Size W 15" x H 15" Depth: 5 1/2"
- Standard 3-1/2" drain opening
- Undercoated and sound pads
- Mounting clips and cutting template

**ACCESSORIES**

- Bottom grid not included (available)
- Stainless steel basket strainer not included (available)
- Stainless steel standard strainer not included (available)
- Round stainless steel colander not included (available)
- Grey silicone dish rack not included (available)

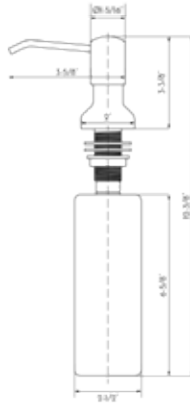
**DAX - ST-02**



KITCHEN  
ACCESSORIES SERIES 03

---

SOAP DISPENSERS

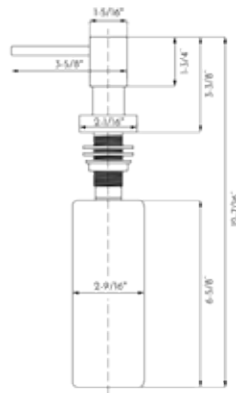
**DAX - 1002****FEATURES**

- Brass Head

**FINISH**

- DAX-1002-CR Chrome
- DAX-1002-BN Brushed nickel

SOAP DISPENSERS

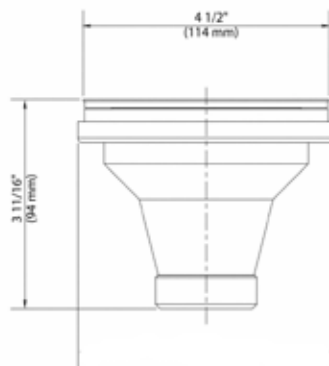
**DAX - 1001****FEATURES**

- Brass head

**FINISH**

- DAX-1001-CR Chrome
- DAX-1001-BN Brushed nickel

SINK STRAINERS

**DR - 303A****FEATURES**

- Stainless steel basket strainer
- Brushed stainless steel finish
- Size: W 4-1/2" x D 4"

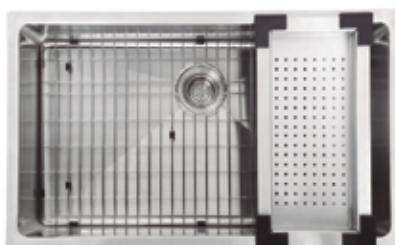
SINK STRAINERS

**DR - 902-NB****FEATURES**

- Stainless Steel Basket Strainer
- Nano Black Finish
- Size: 4-1/2" x 4-13/16" x 3-13/16"



DISH RACKS



### COLANDER

#### FEATURES

- Stainless Steel Body
- Overmount
- ABS corner grabs
- Dishwasher safe

#### COMPATIBLE

- DAX-SQ-3018
- DAX-SQ-2920A

DECK PLATES



### DECK PLATE

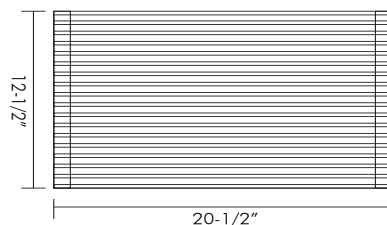
#### FEATURES

- Deck Plate
- Stainless Steel
- Size: W 9-15/16" x H 2-7/16" x D 5/16"

#### FINISH

- Chrome DP-2001
- Brushed Nickel DP-2000

DISH RACKS



### DAX - DDR58125

- Roll-up dishrack
- Over the sink
- Multi-purpose
- Grey color
- Stainless Steel material
- Heat resistant
- Dishwasher safe
- Size: W 20-1/2" x H 12-1/2"

CUTTING BOARD



### CUT - WSR10\_W

- Wood material (Acacia)
- Size: 16-3/4" x 13" x 13/16"



## GRIDS MODELS

GR-KA2317  
 GR-KA3018  
 GR-KA3118  
 GRID-1214  
 GRID-1720  
 GRID-1815  
 GRID-2317  
 GRID-2321  
 GRID-2918  
 GRID-3018  
 GRID-3018B  
 GRID-3018B-X  
 GRID-3118  
 GRID-3118B  
 GRID-3118B-X  
 GRID-3120B  
 GRID-3120L-R  
 GRID-3121L-R  
 GRID-3218  
 GRID-3219LR10-X  
 GRID-3319  
 GRID-334  
 GRID-347  
 GRID-415  
 GRID-N2318  
 GRID-N2318-R10-X  
 GRID-N3018  
 GRID-N3018-R10-X  
 GRID-N3218  
 GRID-N3218-R10-X  
 GRID-OM1515  
 GRID-OM2020  
 GRID-OM2522  
 GRID-OM3322  
 GRID-OM3323  
 GRID-OM911  
 GRID-SQ1512  
 GRID-SQ1918  
 GRID-SQ1918-X  
 GRID-SQ2318  
 GRID-SQ2318-X  
 GRID-SQ2818  
 GRID-SQ2818-X  
 GRID-SQ2918A-X  
 GRID-SQ3018-X  
 GRID-SQ3021  
 GRID-SQ3118A  
 GRID-SQ3118A-X  
 GRID-SQ3120  
 GRID-SQ3218-X  
 GRID-SQ3320  
 GRID-SQ3320F  
 GRID-SQ3321  
 GRID-SQ3420F  
 GRID-SQ3621  
 GRID-T2318  
 GRID-T3018  
 GRID-T3218  
 GRID-T3318  
 GRID-WS3019  
 GRID-WS3321



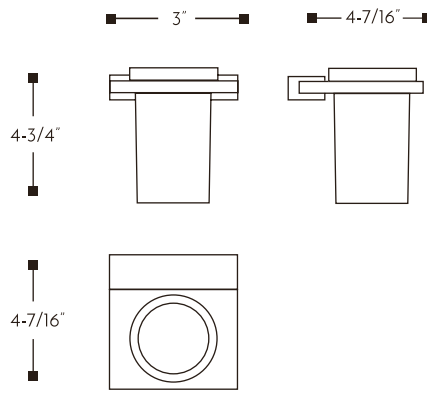




BATHROOM  
ACCESSORIES SERIES 04

---

VANITY CUPS



**DAX - GDC060152**

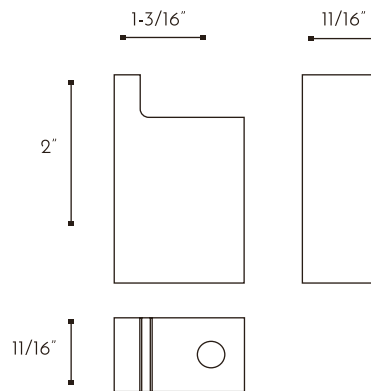
**FEATURES**

- Brass body
- Wall mount
- Glass shelf
- Frosted glass cup
- Mounting parts included

**FINISH**

- DAX-GDC060152-CR Chrome
- DAX-GDC060152-BN Brushed nickel

TOWEL HOLDERS



**DAX - GDC060121**

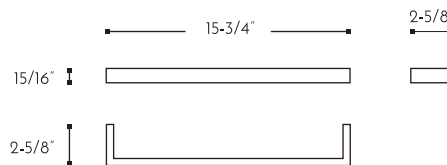
**FEATURES**

- Brass body
- Wall mount
- Mounting parts included

**FINISH**

- DAX-GDC060121-CR Chrome
- DAX-GDC060121-BN Brushed nickel

TOWEL BARS



**DAX - GDC060166**

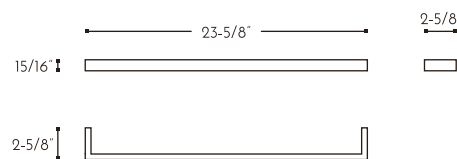
**FEATURES**

- Brass body
- Wall mount
- Mounting parts included

**FINISH**

- DAX-GDC060166-CR Chrome
- DAX-GDC060166-BN Brushed nickel

TOWEL BARS



**DAX - GDC060167**

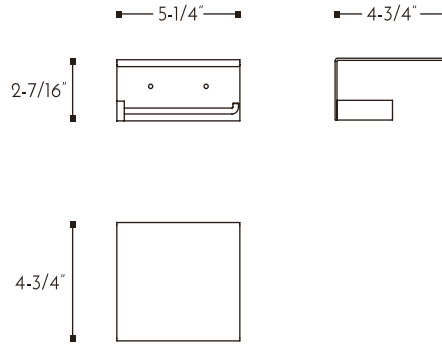
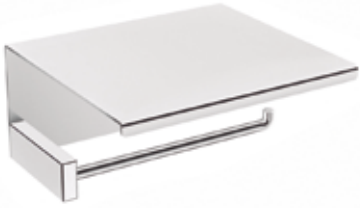
**FEATURES**

- Brass body
- Wall mount
- Mounting parts included

**FINISH**

- DAX-GDC060167-CR Chrome
- DAX-GDC060167-BN Brushed nickel

TOILET PAPER HOLDERS



**DAX - GDC060159**

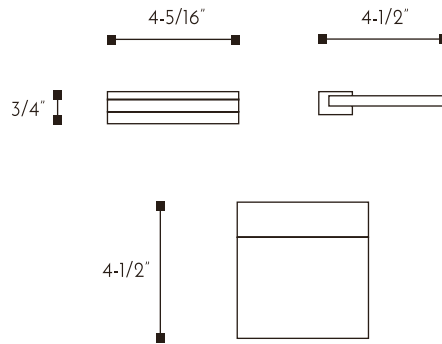
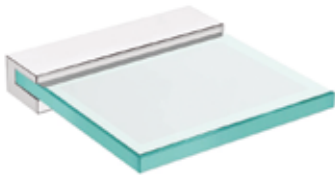
**FEATURES**

- Brass body
- Wall mount
- Mounting parts included

**FINISH**

- DAX-GDC060159-CR Chrome
- DAX-GDC060159-BN Brushed nickel

SOAP DISHES



**DAX - GDC060132**

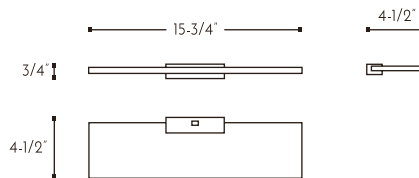
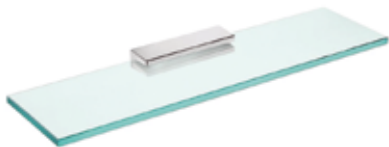
**FEATURES**

- Brass body
- Wall mount
- Glass shelf
- Mounting parts included

**FINISH**

- DAX-GDC060132-CR Chrome
- DAX-GDC060132-BN Brushed nickel

BATHROOM SHELVES



**DAX - GDC060144**

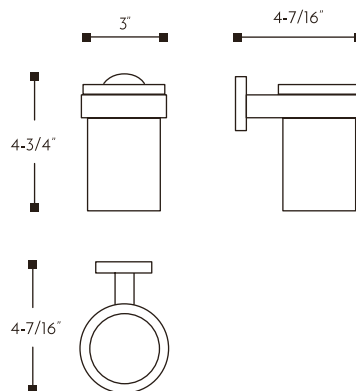
**FEATURES**

- Brass body
- Wall mount
- Glass shelf
- Mounting parts included

**FINISH**

- DAX-GDC060144-CR Chrome
- DAX-GDC060144-BN Brushed nickel

VANITY CUPS



**DAX - GDC120152**

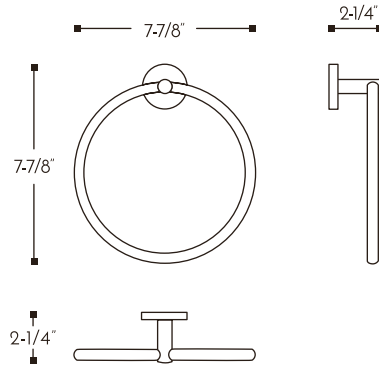
**FEATURES**

- Brass body
- Wall mount
- Frosted glass cup
- Mounting parts included

**FINISH**

- DAX-GDC120152-CR Chrome
- DAX-GDC120152-BN Brushed nickel

TOWEL RINGS



**DAX - GDC120172**

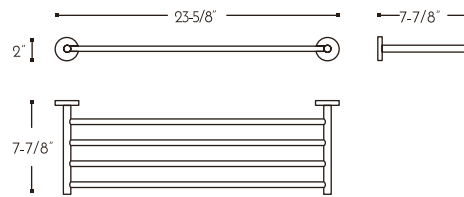
**FEATURES**

- Brass body
- Wall mount
- Mounting parts included

**FINISH**

- DAX-GDC120172-CR Chrome
- DAX-GDC120172-BN Brushed nickel

TOWEL RACKS



**DAX - GDC120168**

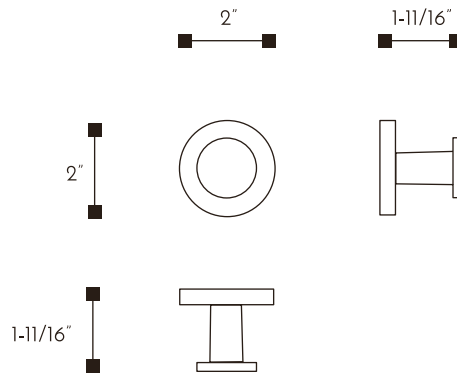
**FEATURES**

- Brass body
- Wall mount
- Mounting parts included

**FINISH**

- DAX-GDC120168-CR Chrome
- DAX-GDC120168-BN Brushed nickel

TOWEL HOLDERS



**DAX - GDC120121**

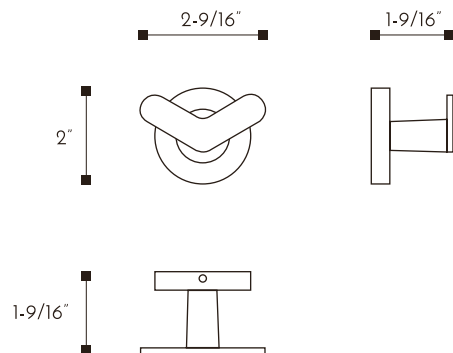
**FEATURES**

- Brass body
- Wall mount
- Mounting parts included

**FINISH**

- DAX-GDC120121-CR Chrome
- DAX-GDC120121-BN Brushed nickel

TOWEL HOLDERS



**DAX - GDC120122**

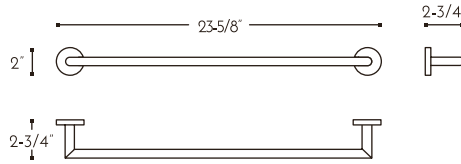
**FEATURES**

- Brass body
- Wall mount
- Mounting parts included

**FINISH**

- DAX-GDC120122-CR Chrome
- DAX-GDC120122-BN Brushed nickel

TOWEL BARS



**DAX - GDC120165**

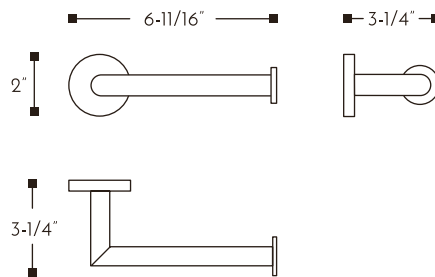
**FEATURES**

- Brass body
- Wall mount
- Mounting parts included

**FINISH**

- DAX-GDC120165-CR Chrome
- DAX-GDC120165-BN Brushed nickel

TOILET PAPER HOLDER



**DAX - GDC120156**

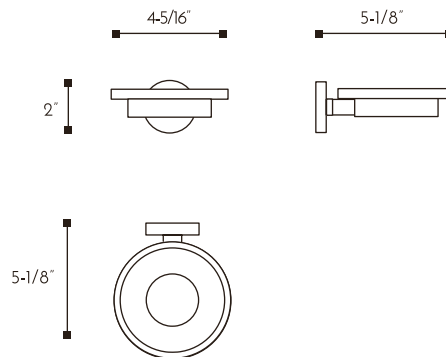
**FEATURES**

- Brass body
- Wall mount
- Mounting parts included

**FINISH**

- DAX-GDC120156-CR Chrome
- DAX-GDC120156-BN Brushed nickel

SOAP DISHES



**DAX - GDC120132**

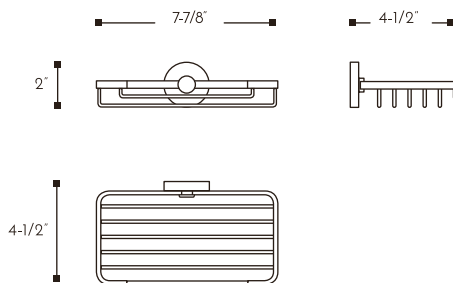
**FEATURES**

- Brass body
- Wall mount
- Frosted glass tray
- Mounting parts included

**FINISH**

- DAX-GDC120132-CR Chrome
- DAX-GDC120132-BN Brushed nickel

BATHROOM SHELVES



**DAX - GDC120130**

**FEATURES**

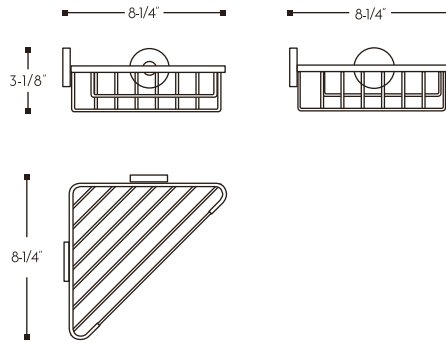
- Brass body
- Wall mount
- Mounting parts included

**FINISH**

- DAX-GDC120130-CR Chrome
- DAX-GDC120130-BN Brushed nickel



SOAP DISHES



**DAX - GDC120150**

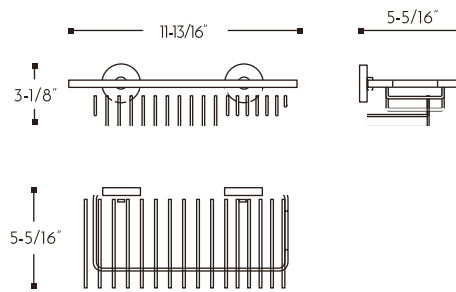
**FEATURES**

- Brass body
- Corner wall mount
- Mounting parts included

**FINISH**

- DAX-GDC120150-CR Chrome
- DAX-GDC120150-BN Brushed nickel

SOAP DISHES



**DAX - GDC120187**

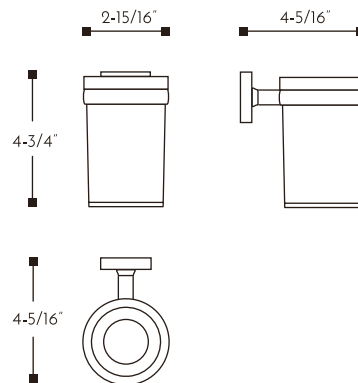
**FEATURES**

- Brass body
- Wall mount
- Mounting parts included

**FINISH**

- DAX-GDC120187-CR Chrome
- DAX-GDC120187-BN Brushed nickel

VANITY CUPS



**DAX - GDC160152**

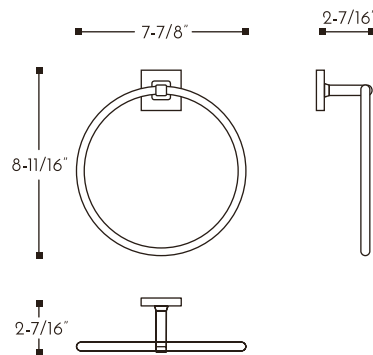
**FEATURES**

- Brass body
- Wall mount
- Frosted glass cup
- Mounting parts included

**FINISH**

- DAX-GDC160152-CR Chrome
- DAX-GDC160152-BN Brushed nickel

TOWEL RINGS



**DAX - GDC160172**

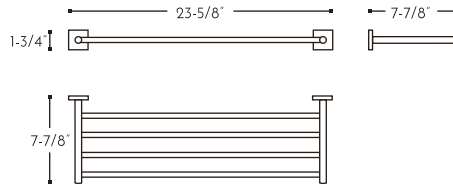
**FEATURES**

- Brass body
- Wall mount
- Mounting parts included

**FINISH**

- DAX-GDC160172-CR Chrome
- DAX-GDC160172-BN Brushed nickel

TOWEL RACKS



**DAX - GDC160168**

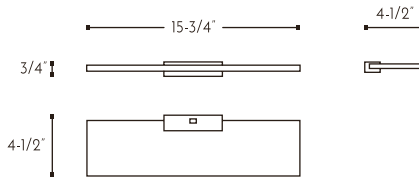
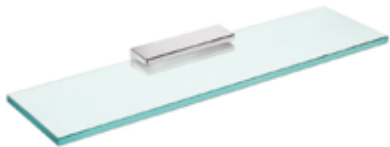
**FEATURES**

- Brass body
- Wall mount
- Mounting parts included

**FINISH**

- DAX-GDC160168-CR Chrome
- DAX-GDC160168-BN Brushed nickel

BATHROOM SHELVES



**DAX - GDC060144**

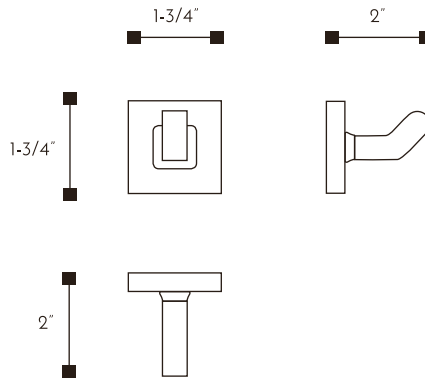
**FEATURES**

- Brass body
- Wall mount
- Glass shelf
- Mounting parts included

**FINISH**

- DAX-GDC060144-CR Chrome
- DAX-GDC060144-BN Brushed nickel

TOWEL HOLDERS



**DAX - GDC160121**

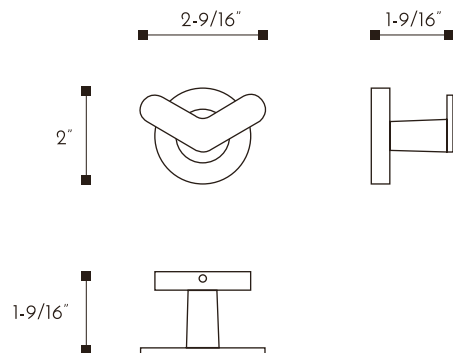
**FEATURES**

- Brass body
- Wall mount
- Mounting parts included

**FINISH**

- DAX-GDC160121-CR Chrome
- DAX-GDC160121-BN Brushed nickel

TOWEL HOLDERS



**DAX - GDC160122**

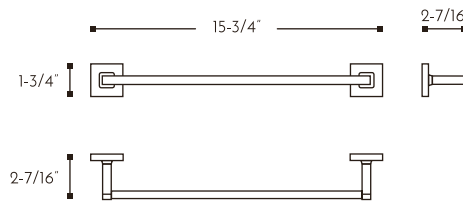
**FEATURES**

- Brass body
- Wall mount
- Mounting parts included

**FINISH**

- DAX-GDC120122-CR Chrome
- DAX-GDC120122-BN Brushed nickel

TOWEL HOLDERS



**DAX - GDC160164**

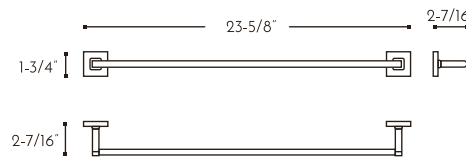
**FEATURES**

- Brass body
- Wall mount
- Mounting parts included

**FINISH**

- DAX-GDC160164-CR Chrome
- DAX-GDC160164-BN Brushed nickel

TOWEL BARS



**DAX - GDC160165**

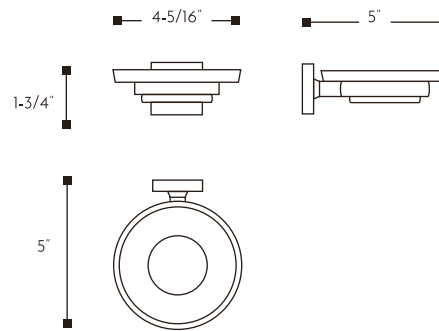
**FEATURES**

- Brass body
- Wall mount
- Mounting parts included

**FINISH**

- DAX-GDC160165-CR Chrome
- DAX-GDC160165-BN Brushed nickel

SOAP DISHES



**DAX - GDC160132**

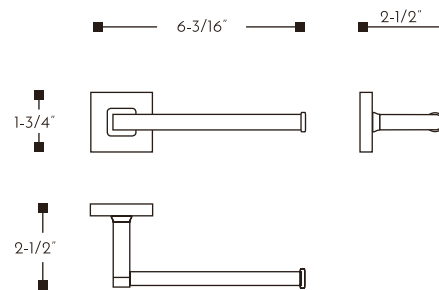
**FEATURES**

- Brass body
- Wall mount
- Frosted glass tray
- Mounting parts included

**FINISH**

- DAX-GDC160132-CR Chrome
- DAX-GDC160132-BN Brushed nickel

TOWEL BARS



**DAX - GDC160156**

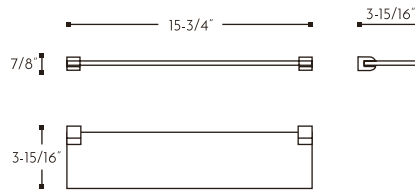
**FEATURES**

- Brass body
- Wall mount
- Mounting parts included

**FINISH**

- DAX-GDC160156-CR Chrome
- DAX-GDC160156-BN Brushed nickel

BATHROOM SHELVES



**DAX - GDC160144**

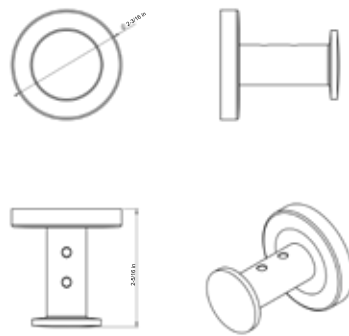
**FEATURES**

- Brass body
- Wall mount
- Glass shelf
- Mounting parts included

**FINISH**

- DAX-GDC160144-CR Chrome
- DAX-GDC160144-BN Brushed nickel

TOWEL HOLDERS



**2353621**

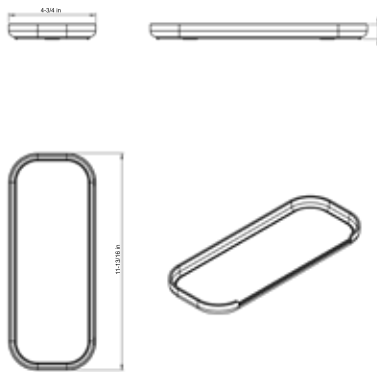
**FEATURES**

- Brass body
- Hook soft
- Mounting parts included

**FINISH**

- Matte Black

TRAY



**2353433**

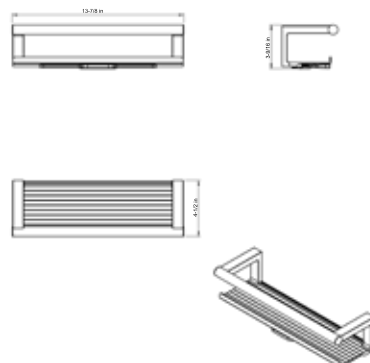
**FEATURES**

- PVC material
- Hook soft
- Mounting parts included

**FINISH**

- Matte Black

SOAP DISHES



**2353648**

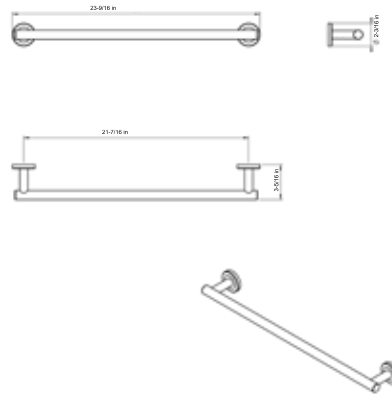
**FEATURES**

- Brass body
- Hook soft
- Mounting parts included

**FINISH**

- Matte Black

TOWEL BAR



2353665

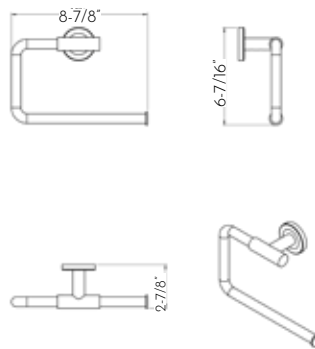
FEATURES

- Brass body
- Hook soft
- Mounting parts included

FINISH

- Matte Black

TOILET PAPER HOLDER



2353671

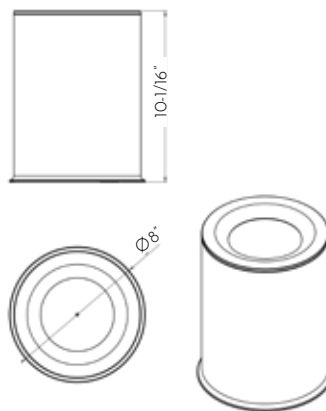
FEATURES

- Brass body
- Hook soft
- Mounting parts included

FINISH

- Matte Black

BATHROOM BINS



2773602

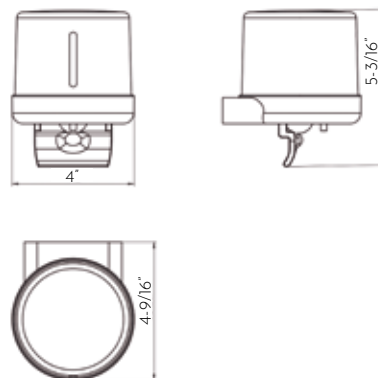
FEATURES

- Brass body
- Hook soft
- Mounting parts included

FINISH

- Matte Black

SOAP DISPENSER



2353603

FEATURES

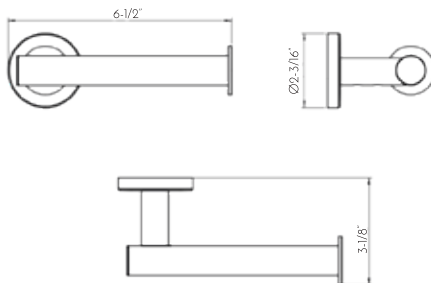
- Brass body
- Hook soft
- Mounting parts included

FINISH

- Matte Black



TOILET PAPER HOLDER



**DAX - 2353658**

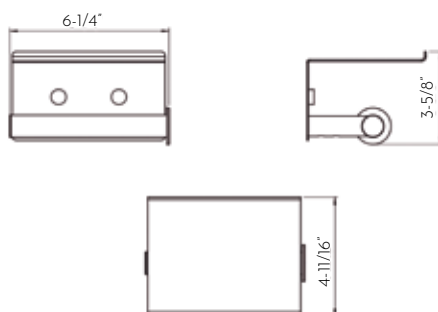
**FEATURES**

- Brass body
- Hook soft
- Mounting parts included

**FINISH**

- Matte Black

TOILET PAPER HOLDER



**DAX - 2353659**

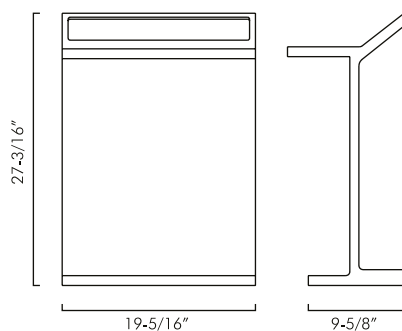
**FEATURES**

- Brass body
- Hook soft
- Mounting parts included

**FINISH**

- Matte Black

TOWEL STANDS

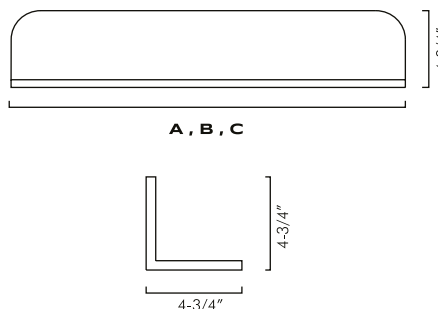


**DAX - AB-7461**

**FEATURES**

- Solid surface material
- Hypoallergenic
- Matte white finish

BATHROOM SHELVES



**DAX - AB-1560**

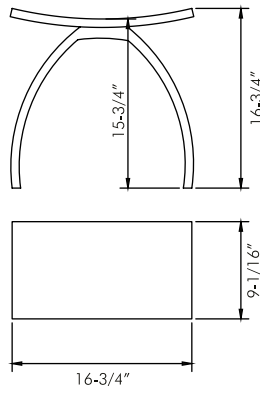
**FEATURES**

- Solid surface material
- Wall mount
- Hypoallergenic
- Mounting parts included
- Matte white finish

**SIZES**

- A. DAX-AB-1560-24 23-5/8" X 4-3/4"
- B. DAX-AB-1560-35 35-7/16" X 4-3/4"
- C. DAX-AB-1560-47 47-1/4" X 4-3/4"

SHOWER STOOLS

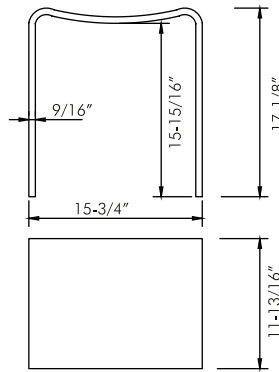


**DAX - ST-01**

**FEATURES**

- Solid surface material
- Hypoallergenic
- Matte white finish

SHOWER STOOLS

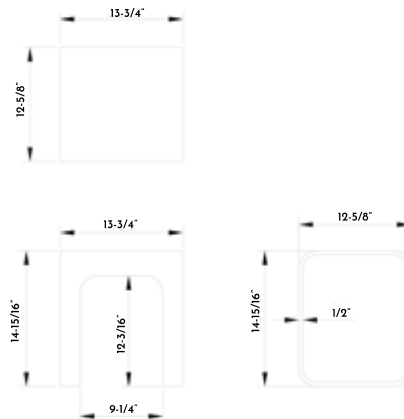


**DAX - ST-02**

**FEATVURES**

- Solid surface material
- Hypoallergenic
- Matte white finish

SHOWER STOOLS



**DAX - ST-03**

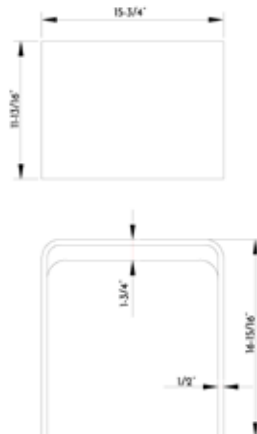
**FEATURES**

- Solid Surface Material
- Matte White Finish
- 330 pounds seating weight capacity

**FINISH**

- DAX - ST-03 Matte White Finish
- DAX - ST-03-G Matte Gray Finish

SHOWER STOOLS



**DAX - ST-04**

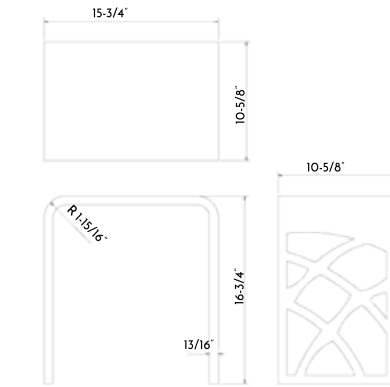
**FEATURES**

- Solid Surface Material
- Hypoallergenic

**FINISH**

- DAX - ST-04 Matte White Finish
- DAX - ST-04-G Matte Gray Finish

SHOWER STOOLS



**DAX - ST-05**

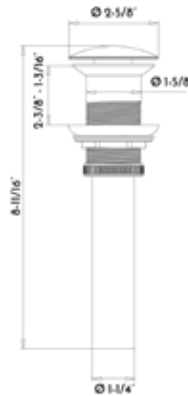
**FEATURES**

- Solid Surface Material

**FINISH**

- DAX - ST-05 Matte White Finish
- DAX - ST-05-G Matte Gray Finish

POP UP DRAINS

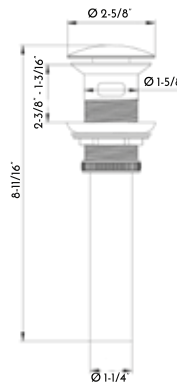


**DAX - 802018-BG**

**FEATURES**

- Brass body
- Brushed gold finish
- Without overflow

POP UP DRAINS

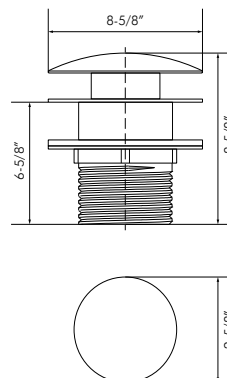


**DAX - 802019-BG**

**FEATURES**

- Brass body
- Brushed gold finish
- Without overflow

POP UP DRAIN BIDET



**DAX - T912-1**

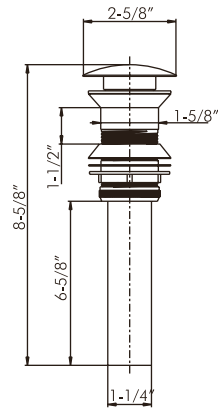
**FEATURES**

- Brass body
- Mounting parts included
- Without overflow

**FINISH**

- DAX-82005-CR Chrome
- DAX-82005-BN Brushed nickel

POP UP DRAINS

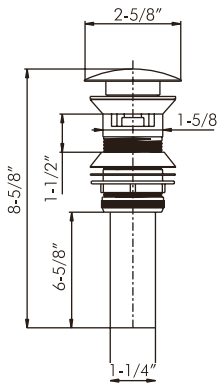


**DAX - 82005**

**FEATURES**

- Brass body
- Chrome finish
- Pop up included

POP UP DRAINS



**DAX - 82006**

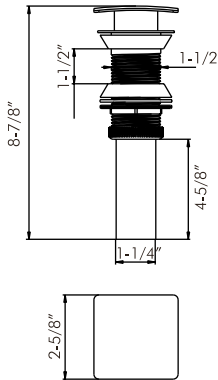
**FEATURES**

- Brass body
- Mounting parts included
- With overflow

**FINISH**

- DAX-82006-CR Chrome
- DAX-82006-BN Brushed nickel

POP UP DRAINS

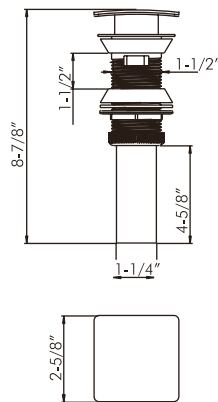


**DAX - 82010-BN**

**FEATURES**

- Brass body
- Mounting parts included
- Without overflow
- Brushed nickel finish

POP UP DRAINS

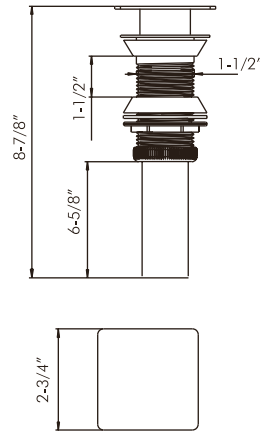


**DAX - 82011-BN**

**FEATURES**

- Brass body
- Mounting parts included
- With overflow
- Brushed nickel finish

POP UP DRAINS



**DAX - 82012**

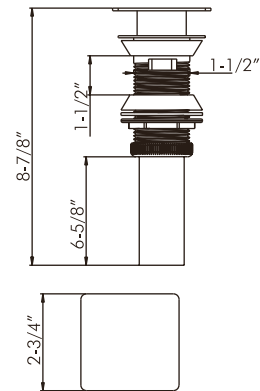
**FEATURES**

- Brass body
- Mounting parts included
- Without overflow

**FINISH**

- DAX-82012-CR Chrome
- DAX-82012-BN Brushed nickel

POP UP DRAINS



**DAX - 82013**

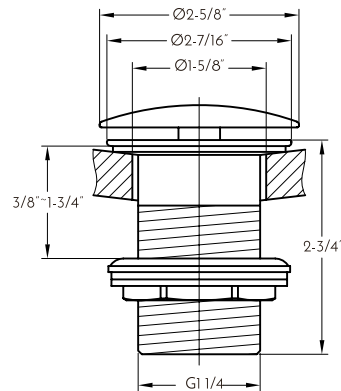
**FEATURES**

- Brass body
- Mounting parts included
- With overflow

**FINISH**

- DAX-82013-CR Chrome
- DAX-82013-BN Brushed nickel

POP UP DRAINS

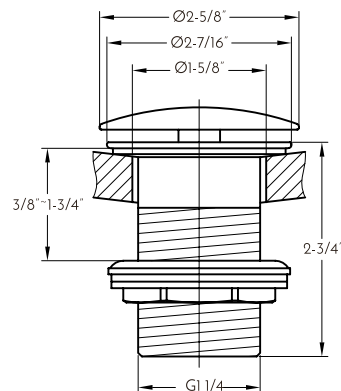


**DAX - 82016-ORB**

**FEATURES**

- Brass body
- Mounting parts included
- Without overflow
- ORB finish

POP UP DRAINS



**DAX - 82017**

**FEATURES**

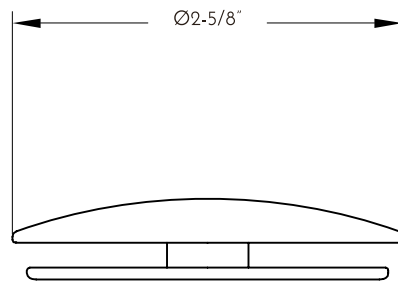
- Brass body
- Mounting parts included
- Without overflow
- Black finish

**FINISH**

- DAX-82017-BL Black finish
- DAX-82017-ORB Oil rubbed bronze finish



POP UP DRAINS



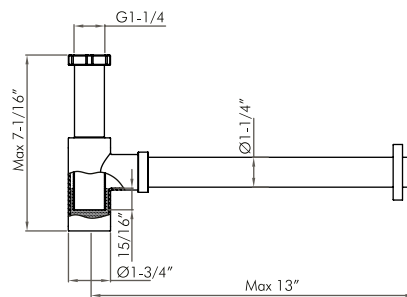
**DAX - AB-82010**

**FEATURES**

- Solid surface material
- Pop-up cover only
- Matte white finish

\* To be used with any other round pop-up drain

SINK TRAPS



**DAX - O10-O1**

**FEATURES**

- 304 stainless steel body

**FINISH**

- DAX - O10-O1-CR Chrome
- DAX - O10-O1-BN Brushed nickel
- DAX - O10-O1-GL Gold
- DAX - O10-O1-BL Matte black

**DAX - ST-02**





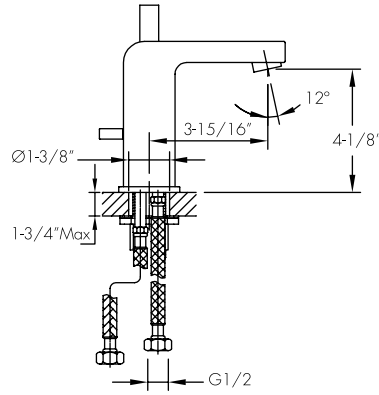




05 BATHROOM  
FAUCETS SERIES

---

VANITY FAUCETS

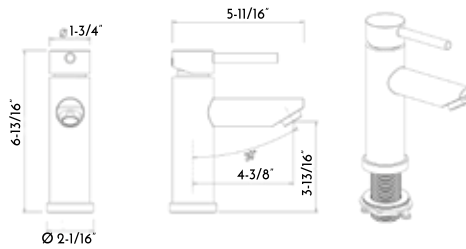


**DAX - 8227**

**FEATURES**

- Single Lever
- Ceramic cartridge
- Brass body
- Flow rate 1.5 GPM
- Installation hole 1-3/8"
- Chrome finish
- Hoses and mounting parts included
- Pop up drain not included (available)

VANITY FAUCETS



**DAX - 6911**

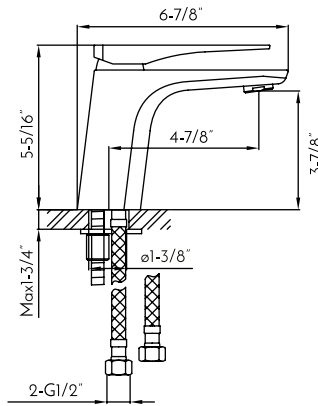
**FEATURES**

- Single Lever
- Ceramic cartridge
- Brass body
- Flow rate 2.2 GPM at 60 PSI
- UPC Approved
- Hoses and mounting parts included

**FEATURES**

- DAX - 6911-BG Brushed gold
- DAX - 6911-BL Matt black
- DAX - 6911-BN Brushed nickel
- DAX - 6911-CR Chrome

VANITY FAUCETS

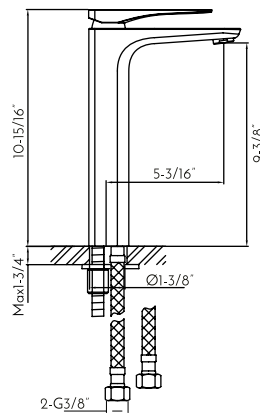


**DAX - 805A-CW**

**FEATURES**

- Single lever
- Ceramic cartridge
- Brass body
- Flow rate 1.16 GPM
- Installation hole 1-3/8"
- Chrome-white finish
- Hoses and mounting parts included
- Pop up drain not included (available)

VANITY FAUCETS

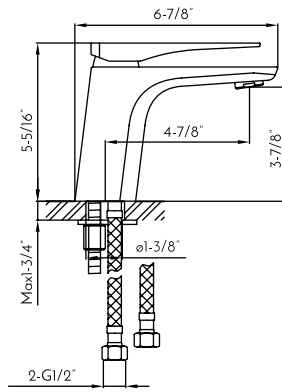


**DAX - 805L-CW**

**FEATURES**

- Single lever
- Vessel installation
- Ceramic cartridge
- Brass body
- Flow rate 1.16 GPM
- Installation hole 1-3/8"
- Chrome-white finish
- Hoses and mounting parts included
- Pop up drain not included (available)

VANITY FAUCETS



**DAX - 805A**

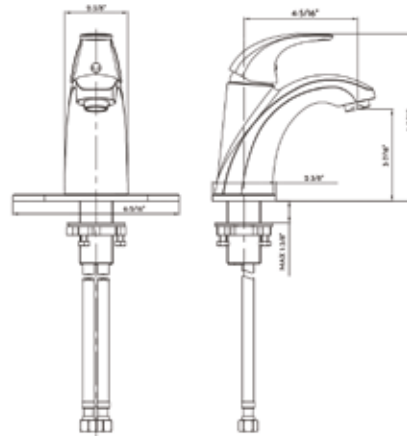
**FEATURES**

- Single lever
- Ceramic cartridge
- Brass body
- Flow rate 1.16 GPM
- Installation hole 1-3/8"
- Hoses and mounting parts included
- Pop up drain not included (available)

**FINISH**

- DAX-805A-CR Chrome
- DAX-805A-BN Brushed nickel

VANITY FAUCETS



**DAX - 8104**

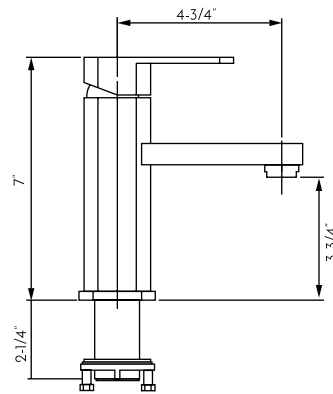
**FEATURES**

- Single Lever
- Ceramic cartridge
- Lead free
- Flow rate 1.5 GPM
- Installation hole 1-3/8"
- Hoses and mounting parts included
- Pop up drain not included (available)
- Brushed Nickel Finish
- cUPC - NSF61-9 - ABI953 Approved

**FINISH**

- DAX-8104-CR Chrome
- DAX-8104-BN Brushed nickel

VANITY FAUCETS



**DAX - 6941A**

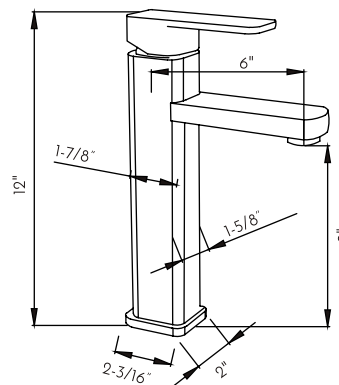
**FEATURES**

- Single lever
- Ceramic cartridge
- Brass Body
- Flow rate 2.2 GPM
- Installation hole 1-3/8"
- Hoses and mounting parts included
- Pop up drain not included (available)

**FINISH**

- DAX-6941A-CR Chrome
- DAX-6941A-BN Brushed nickel
- DAX-6941A-BL Matte black

VANITY FAUCETS



**DAX - 6941B**

**FEATURES**

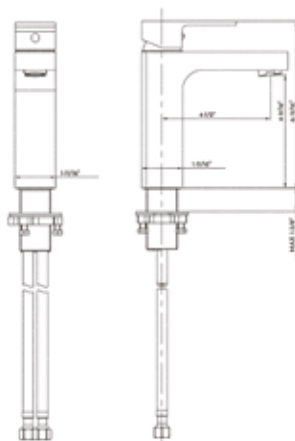
- Single lever
- Vessel installation
- Ceramic cartridge
- Brass body
- Flow rate 2.2 GPM
- Installation hole 1-3/8"
- Hoses and mounting parts included
- Pop up drain not included (available)

**FINISH**

- DAX-6941B-CR Chrome
- DAX-6941B-BN Brushed nickel
- DAX-6941B-BL Matte black



VANITY FAUCETS



**DAX - 8142**

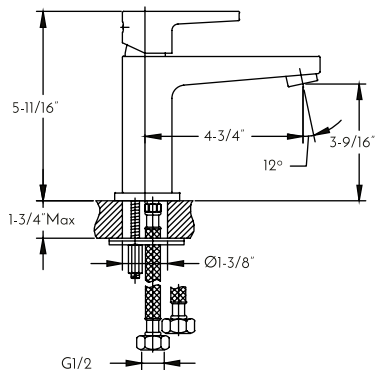
**FEATURES**

- Single Lever
- Ceramic cartridge
- Lead free
- Flow rate 1.5 GPM
- Installation hole 1-3/8"
- Hoses and mounting parts included
- Pop up drain not included (available)
- Brushed Nickel Finish
- cUPC - NSF61-9 - AB1953 Approved

**FINISH**

- DAX-8142-CR Chrome
- DAX-8142-BN Brushed nickel

VANITY FAUCETS

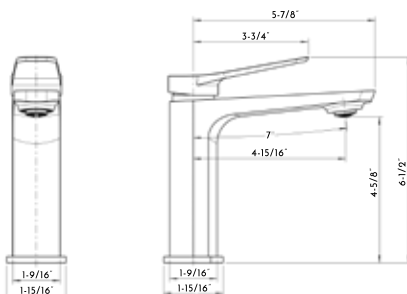


**DAX - 8209**

**FEATURES**

- Single lever
- Ceramic cartridge
- Brass body
- Flow rate 1.2 GPM
- Installation hole 1-3/8"
- Chrome finish
- Hoses and mounting parts included
- Pop up drain not included (available)

VANITY FAUCETS



**DAX - 6518**

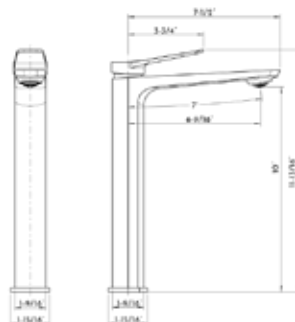
**FEATURES**

- Single lever
- Ceramic cartridge
- Installation hole 1-3/8"
- Brass body

**FINISH**

- DAX-6518-BL Matt black
- DAX-6518-CR Chrome

VANITY FAUCETS



**DAX - 65128**

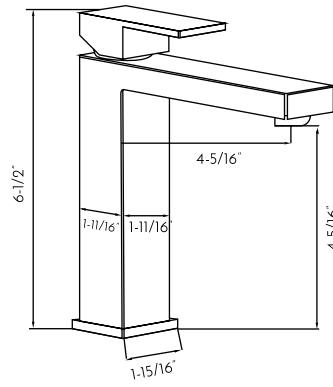
**FEATURES**

- Single Lever
- Ceramic cartridge
- Brass body
- Flow rate 1.38GPM
- Installation hole 1-3/8"

**FINISH**

- DAX-65128-CR Chrome
- DAX-65128-BN Brushed nickel

VANITY FAUCETS



**DAX - 6951A**

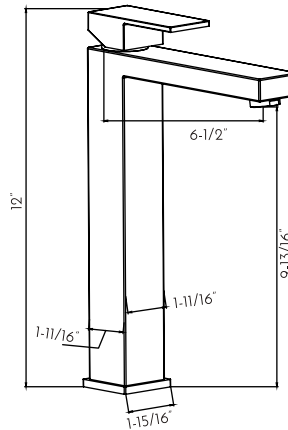
**FEATURES**

- Single lever
- Ceramic cartridge
- Brass body
- Flow rate 2.2 GPM
- Installation hole 1-3/8"
- Hoses and mounting parts included
- Pop up drain not included (available)

**FINISH**

- DAX-6951A-CR Chrome
- DAX-6951A-BN Brushed nickel

VANITY FAUCETS



**DAX - 6951B**

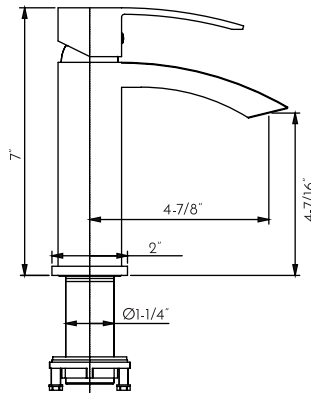
**FEATURES**

- Single lever
- Vessel installation
- Ceramic cartridge
- Brass body
- Flow rate 2.2 GPM
- Installation hole 1-3/8"
- Hoses and mounting parts included
- Pop up drain not included (available)

**FINISH**

- DAX-6951B-CR Chrome
- DAX-6951B-BN Brushed nickel

VANITY FAUCETS



**DAX - 6690A**

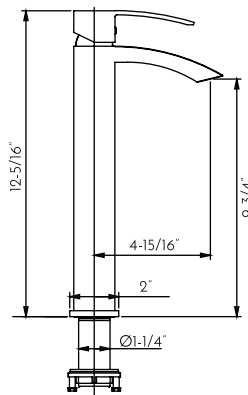
**FEATURES**

- Single lever
- Ceramic cartridge
- Brass body
- Flow rate 2.2 GPM
- Installation hole 1-3/8"
- Hoses and mounting parts included
- Pop up drain not included (available)

**FINISH**

- DAX-6690A-CR Chrome
- DAX-6690A-BN Brushed nickel

VANITY FAUCETS



**DAX - 6690B**

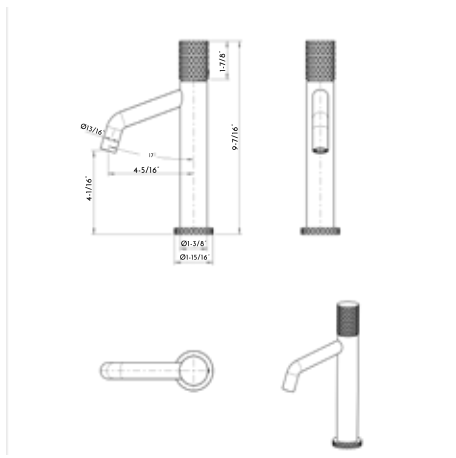
**FEATURES**

- Single lever
- Vessel installation
- Ceramic cartridge
- Brass body
- Flow rate 2.2 GPM
- Installation hole 1-3/8"
- Hoses and mounting parts included
- Pop up drain not included (available)

**FINISH**

- DAX-6941B-CR Chrome
- DAX-6941B-BN Brushed nickel

VANITY FAUCETS



**DAX - 65130**

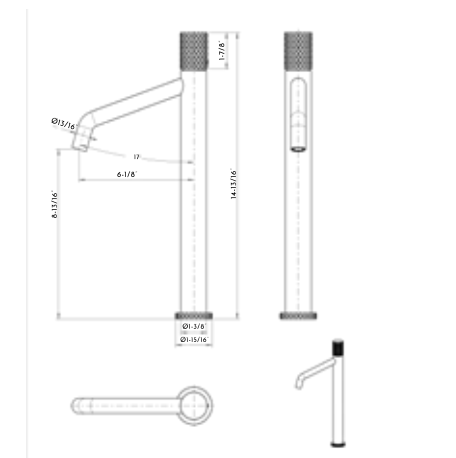
**FEATURES**

- Single Lever
- Ceramic cartridge
- Brass body
- Flow rate 1.34 GPM
- Installation hole 1-3/8"

**FINISH**

- DAX-65130-CR Chrome
- DAX-65130-BL Matt Black

VANITY FAUCETS



**DAX - 65147**

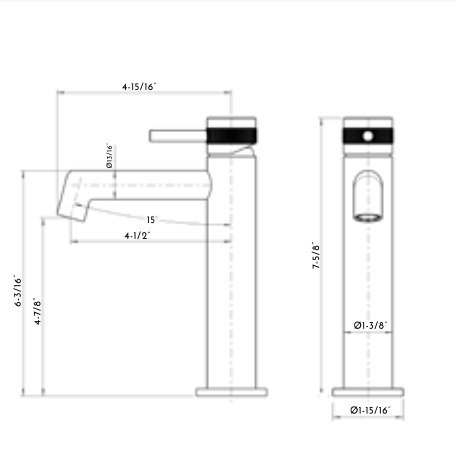
**FEATURES**

- Single Lever
- Ceramic cartridge
- Brass body
- Flow rate 1.34 GPM
- Installation hole 1-3/8"

**FINISH**

- DAX-65147-CR Chrome
- DAX-65147-BL Matt Black

VANITY FAUCETS



**DAX - 8010040**

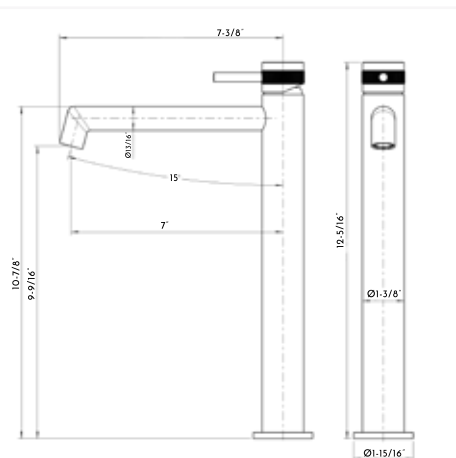
**FEATURES**

- Single Lever
- Ceramic cartridge
- Brass body
- Flow rate 1.33 GPM
- Installation hole 1-3/8"

**FINISH**

- DAX-8010040-CR Chrome
- DAX-8010040-BL Matt Black

VANITY FAUCETS



**DAX - 8010041**

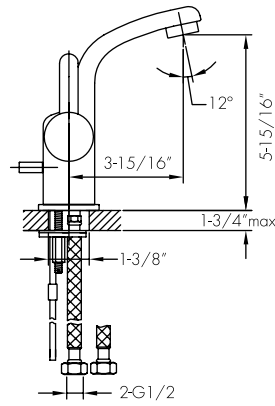
**FEATURES**

- Single Lever
- Ceramic cartridge
- Brass body
- Flow rate 1.26 GPM
- Installation hole 1-3/8"

**FINISH**

- DAX-8010041-CR Chrome
- DAX-8010041-BL Matt Black

VANITY FAUCETS



**DAX - 8260**

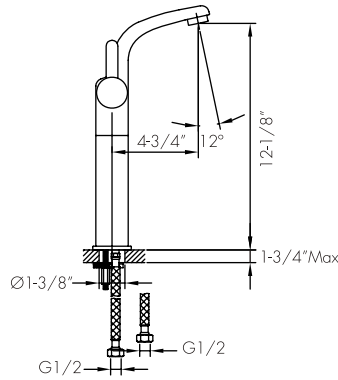
**FEATURES**

- Single Lever
- Ceramic cartridge
- Brass body
- Flow rate 1.2 GPM
- Installation hole 1-3/8"
- Hoses and mounting parts included
- Pop up drain not included (available)

**FINISH**

- DAX-8260-CR Chrome
- DAX-8260-BN Brushed nickel

VANITY FAUCETS



**DAX - 8220B**

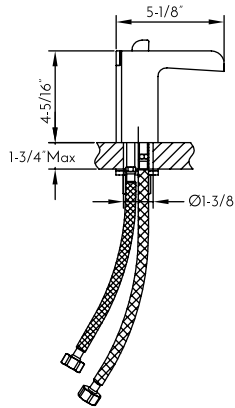
**FEATURES**

- Single Lever
- Vessel installation
- Ceramic cartridge
- Brass body
- Flow rate 1.2 GPM
- Installation hole 1-3/8"
- Hoses and mounting parts included
- Pop up drain not included (available)

**FINISH**

- DAX-8220B-CR Chrome
- DAX-8220B-BN Brushed nickel

VANITY FAUCETS

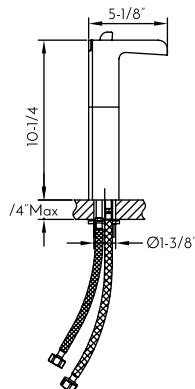


**DAX - 9825**

**FEATURES**

- Single Lever
- Ceramic cartridge
- Brass body
- Flow rate 1.2 GPM
- Installation hole 1-3/8"
- Chrome finish
- Hoses and mounting parts included
- Pop up drain included

VANITY FAUCETS

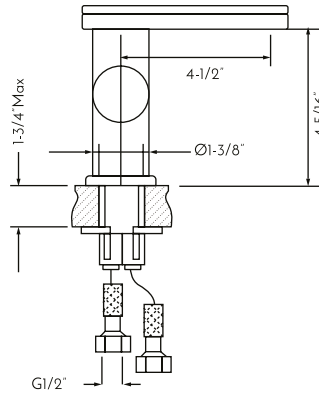


**DAX - 9825B**

**FEATURES**

- Single Lever
- Vessel installation
- Ceramic cartridge
- Brass body
- Flow rate 1.2 GPM
- Installation hole 1-3/8"
- Chrome finish
- Hoses and mounting parts included
- Pop up drain included

VANITY FAUCETS

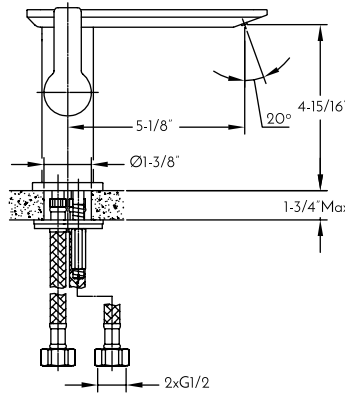


**DAX - 9888**

**FEATURES**

- Single Lever
- Ceramic cartridge
- Brass body
- Flow rate 1.2 GPM
- Installation hole 1-3/8"
- Chrome finish
- Hoses and mounting parts included
- Pop up drain not included (available)

VANITY FAUCETS



**DAX - 8205**

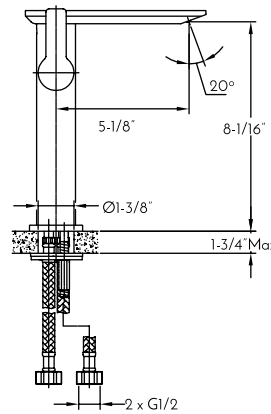
**FEATURES**

- Single Lever
- Ceramic cartridge
- Brass body
- Installation hole 1-3/8"
- Hoses and mounting parts included
- Pop up drain not included (available)

**FINISH**

- DAX-8205-CR Chrome
- DAX-8205-BN Brushed nickel

VANITY FAUCETS



**DAX - 8205A**

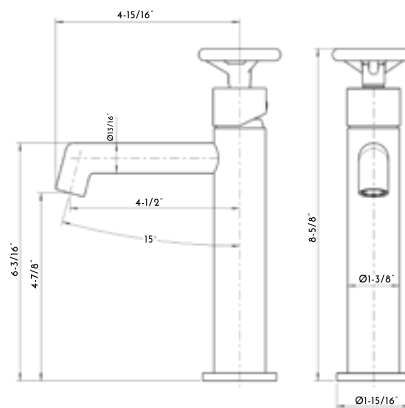
**FEATURES**

- Single Lever
- Vessel installation
- Ceramic cartridge
- Brass body
- Installation hole 1-3/8"
- Hoses and mounting parts included
- Pop up drain not included (available)

**FINISH**

- DAX-8205A-CR Chrome
- DAX-8205A-BN Brushed nickel

VANITY FAUCETS



**DAX - 8010043**

**FEATURES**

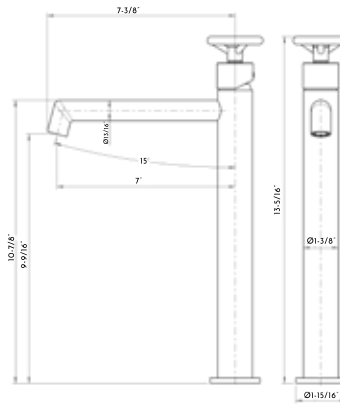
- Single Lever
- Ceramic cartridge
- Brass body
- Flow rate 1.33 GPM
- Installation hole 1-3/8"

**FINISH**

- DAX-8010043-CR Chrome
- DAX-8010043-BL Matte black



VANITY FAUCETS



**DAX - 8010044**

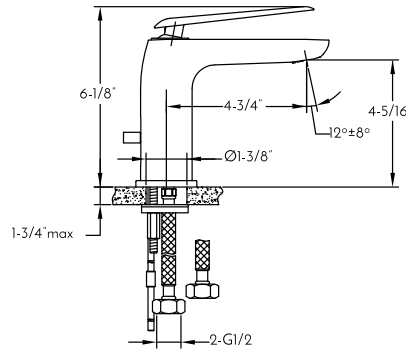
**FEATURES**

- Single Lever
- Ceramic cartridge
- Brass body
- Flow rate 1.26 GPM
- Installation hole 1-3/8"
- Matte Black Finish

**FINISH**

- DAX-8510B-CR Chrome
- DAX-8510B-BN Brushed nickel

VANITY FAUCETS

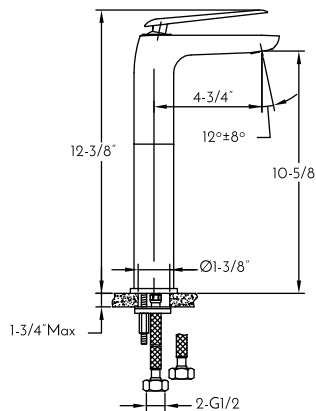


**DAX - 8206**

**FEATURES**

- Single lever
- Ceramic cartridge
- Brass body
- Flow rate 1.2 GPM
- Installation hole 1-3/8"
- Chrome finish
- Hoses and mounting parts included
- Pop up drain not included (available)

VANITY FAUCETS

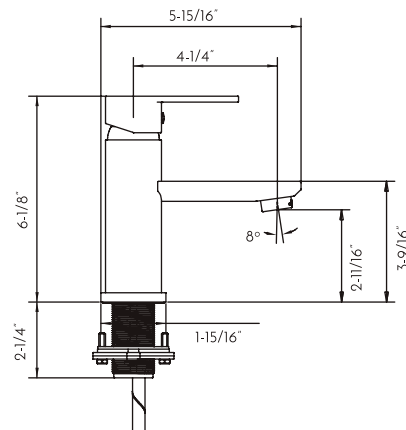


**DAX - 8206B**

**FEATURES**

- Single lever
- Vessel installation
- Ceramic cartridge
- Brass body
- Flow rate 1.2 GPM
- Installation hole 1-3/8"
- Chrome finish
- Hoses and mounting parts included
- Pop up drain not included (available)

VANITY FAUCETS



**DAX - 8510**

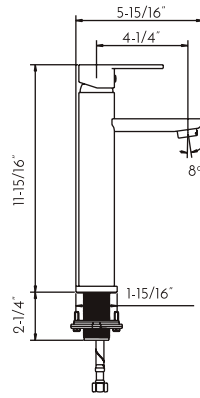
**FEATURES**

- Single lever
- Ceramic cartridge
- Brass body
- Flow rate 2 GPM
- Installation hole 1-3/8"
- Hoses and mounting parts included
- Pop up drain not included (available)

**FINISH**

- DAX-8510-CR Chrome
- DAX-8510-BN Brushed nickel

VANITY FAUCETS

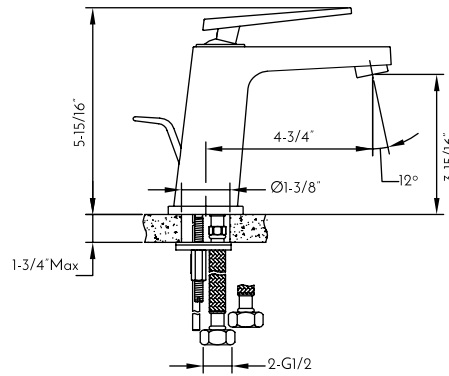


**DAX - 8510B-BN**

**FEATURES**

- Single lever
- Vessel installation
- Ceramic cartridge
- Brushed nickel finish
- Brass body
- Flow rate 2 GPM
- Installation hole 1-3/8"
- Hoses and mounting parts included
- Pop up drain not included (available)

VANITY FAUCETS

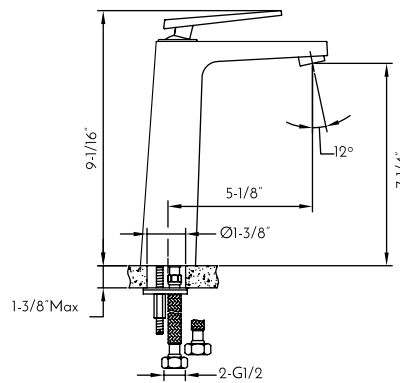


**DAX - 9802**

**FEATURES**

- Single Lever
- Ceramic cartridge
- Brass body
- Flow rate 1.2 GPM
- Installation hole 1-3/8"
- Chrome finish
- Hoses and mounting parts included
- Pop up drain not included (available)

VANITY FAUCETS

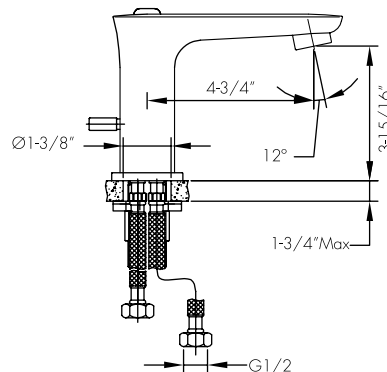


**DAX - 9802A**

**FEATURES**

- Single Lever
- Vessel installation
- Ceramic cartridge
- Brass body
- Flow rate 1.2 GPM
- Installation hole 1-3/8"
- Chrome finish
- Hoses and mounting parts included
- Pop up drain not included (available)

VANITY FAUCETS

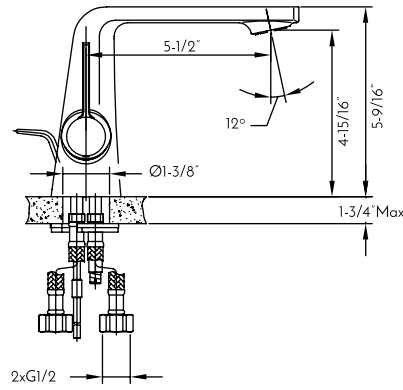


**DAX - 9883**

**FEATURES**

- Single Lever
- Vessel installation
- Ceramic cartridge
- Brass body
- Flow rate 1.2 GPM
- Installation hole 1-3/8"
- Chrome finish
- Hoses and mounting parts included
- Pop up drain not included (available)

VANITY FAUCETS



**DAX - 8226**

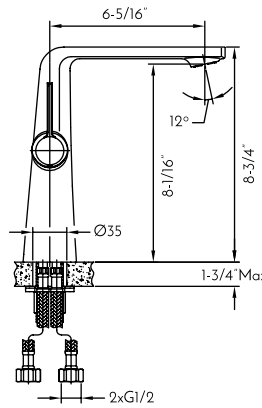
**FEATURES**

- Single Lever
- Ceramic cartridge
- Brass body
- Installation hole 1-3/8"
- Hoses and mounting parts included
- Pop up drain not included (available)

**FINISH**

- DAX-8226-CR Chrome
- DAX-8226-BN Brushed nickel

VANITY FAUCETS



**DAX - 8226A**

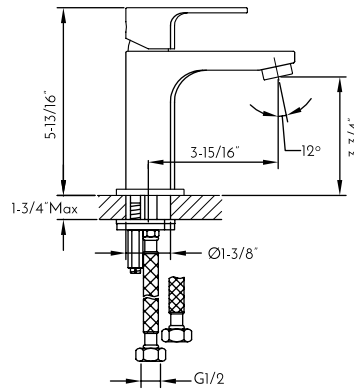
**FEATURES**

- Single Lever
- Vessel installation
- Ceramic cartridge
- Brass body
- Installation hole 1-3/8"
- Hoses and mounting parts included
- Pop up drain not included (available)

**FINISH**

- DAX-8226A-CR Chrome
- DAX-8226A-BN Brushed nickel

VANITY FAUCETS

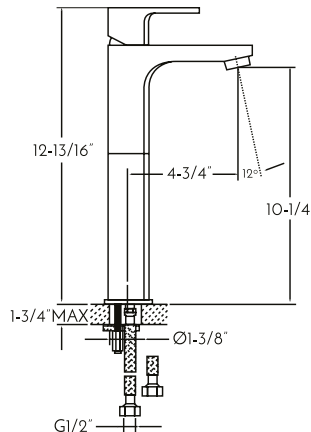


**DAX - 9829**

**FEATURES**

- Single Lever
- Ceramic cartridge
- Brass body
- Flow rate 1.2 GPM
- Installation hole 1-3/8"
- Chrome finish
- Hoses and mounting parts included
- Pop up drain not included (available)

VANITY FAUCETS

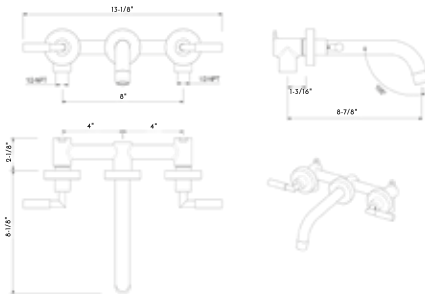
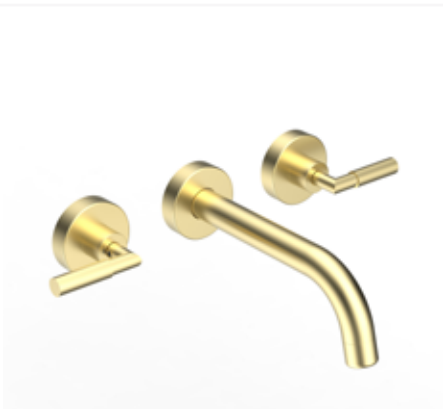


**DAX - 9889B**

**FEATURES**

- Single Lever
- Vessel installation
- Ceramic cartridge
- Brass body
- Flow rate 1.2 GPM
- Installation hole 1-3/8"
- Chrome finish
- Hoses and mounting parts included
- Pop up drain not included (available)

WALL MOUNT FAUCET



**DAX - 8802**

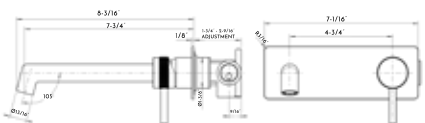
**FEATURES**

- Double Handle
- Ceramic cartridge
- Brass body
- Flow rate 2.2 GPM at 60 PSI
- Hoses and mounting parts included

**FINISH**

- DAX-8802-BG Brushed gold
- DAX-8802-BL Matt black
- DAX-8802-BN Brushed nickel
- DAX-8802-CR Chrome

WALL MOUNT FAUCET



**DAX - 8030043**

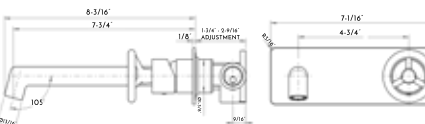
**FEATURES**

- Single Lever
- Brass Body
- Ceramic Cartridge
- Wall Mount

**FINISH**

- DAX-8030043-CR Chrome
- DAX-8030043-BL Matt black

WALL MOUNT FAUCET



**DAX - 8030044**

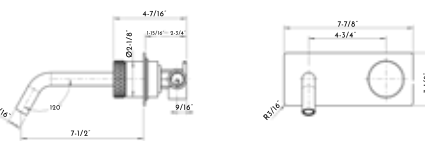
**FEATURES**

- Single Lever
- Brass Body
- Ceramic Cartridge
- Wall Mount

**FINISH**

- DAX-8030044-CR Chrome
- DAX-8030044-BL Matt black

WALL MOUNT FAUCET



**DAX - 65149**

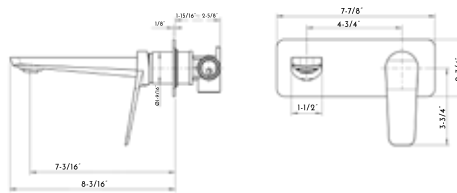
**FEATURES**

- Single Lever
- Ceramic cartridge
- Brass body
- Flow rate 1.38 GPM
- Installation hole 1-3/8

**FINISH**

- DAX-65149-CR Chrome
- DAX-65149-BL Matt black

WALL MOUNT



**DAX - 65127**

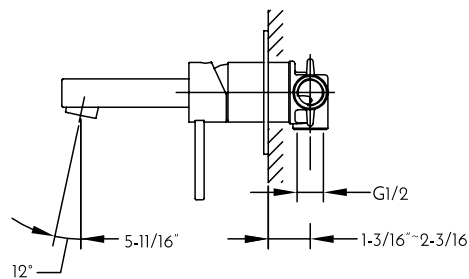
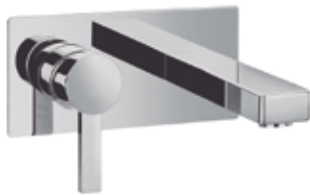
**FEATURES**

- Single Lever
- Ceramic cartridge
- Brass body
- Flow rate 1.4 GPM
- Installation hole 1-3/8"

**FINISH**

- DAX-65127-BL Matt black
- DAX-65127-CR Chrome

WALL MOUNT

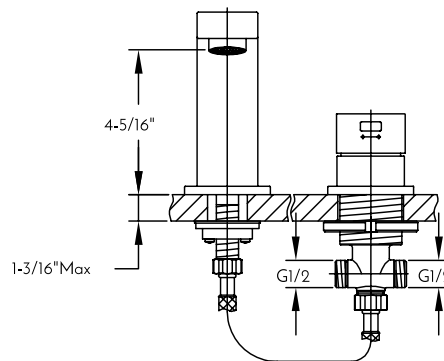


**DAX - 8287**

**FEATURES**

- Single Lever
- Wall mount
- Ceramic cartridge
- Brass body
- Chrome finish
- Hoses and mounting parts included
- Pop up drain not included (available)

VANITY FAUCETS

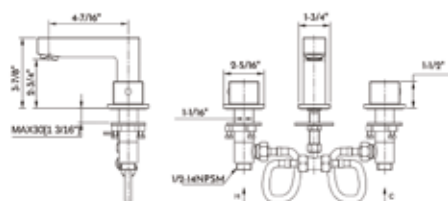


**DAX - 8127**

**FEATURES**

- Single Lever
- Ceramic cartridge
- Brass body
- Flow rate 1.2 GPM
- Installation hole 1-3/8"
- Chrome finish
- Hoses and mounting parts included
- Pop up drain not included (available)

VANITY FAUCETS



**DAX - 8325**

**FEATURES**

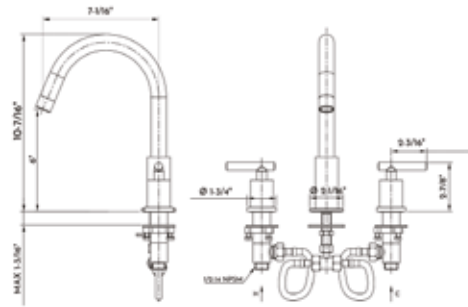
- Dual Handle
- Ceramic cartridge
- Flow rate 1.5 GPM
- Installation hole 1-3/8"
- Hoses and mounting parts included
- Pop up drain not included (available)
- cUPC - NSF61-9 - ABI953 Approved

**FINISH**

- DAX-8325-BN Brushed nickel
- DAX-8312-CR Chrome



VANITY FAUCETS



**DAX - 8312**

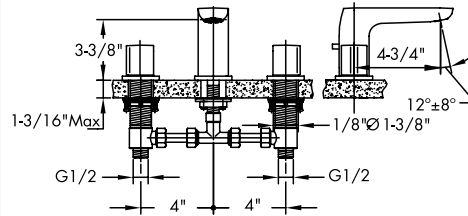
**FEATURES**

- Dual Handle
- Ceramic cartridge
- Flow rate 1.5 GPM
- Installation hole 1-3/8"
- Hoses and mounting parts included
- Pop up drain not included (available)
- cUPC - NSF61-9 - AB1953 Approved

**FINISH**

- DAX-8312-BL Matt black
- DAX-8312-BN Brushed nickel
- DAX-8312-CR Chrome

VANITY FAUCETS

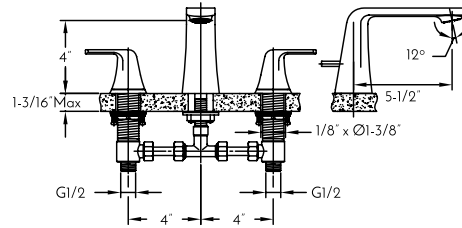


**DAX - 8216C**

**FEATURES**

- Two Handles
- Ceramic cartridge
- Brass body
- Flow rate 1.2 GPM
- Installation hole 1-3/8"
- Chrome finish
- Hoses and mounting parts included
- Pop up drain not included (available)

VANITY FAUCETS

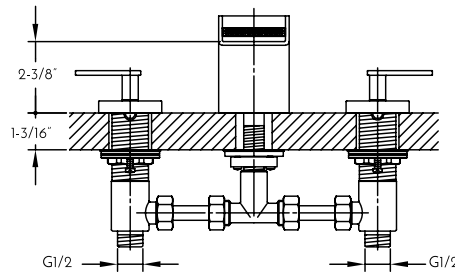


**DAX - 8236C**

**FEATURES**

- Single Lever
- Vessel installation
- Ceramic cartridge
- Brass body
- Flow rate 1.2 GPM
- Installation hole 1-3/8"
- Chrome finish
- Hoses and mounting parts included
- Pop up drain not included (available)

VANITY FAUCETS

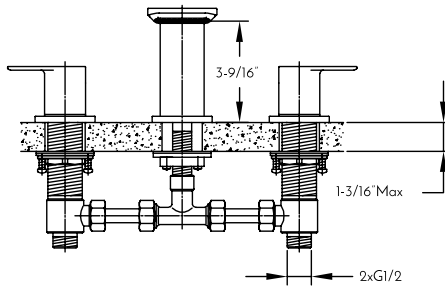


**DAX - 8255C**

**FEATURES**

- Two Handles
- Ceramic cartridge
- Brass body
- Flow rate 1.2 GPM
- Installation hole 1-3/8"
- Chrome finish
- Hoses and mounting parts included
- Pop up drain not included (available)

VANITY FAUCETS



**DAX - 8275C**

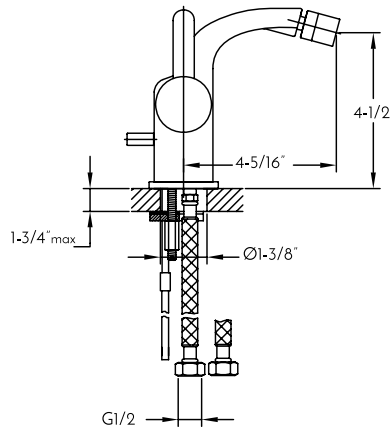
**FEATURES**

- Two Handles
- Ceramic cartridge
- Brass body
- Flow rate 1 GPM
- Installation hole 1-3/8"
- Hoses and mounting parts included
- Pop up drain not included (available)

**FINISH**

- DAX-8275C-CR Chrome
- DAX-8275C-BN Brushed nickel

BIDET FAUCETS

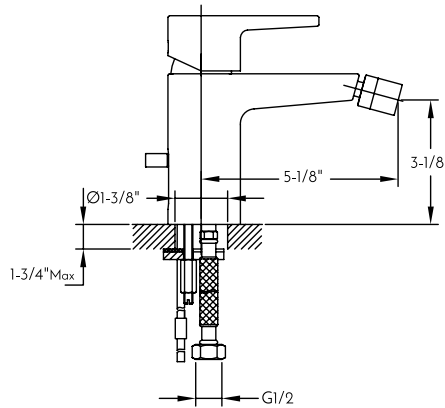


**DAX - 8560-BL**

**FEATURES**

- Single Lever
- Swiveling spout
- Ceramic cartridge
- Brass body
- Installation hole 1-3/8"
- Matte black finish
- Hoses and mounting parts included
- Pop up drain not included (available)

BIDET FAUCETS

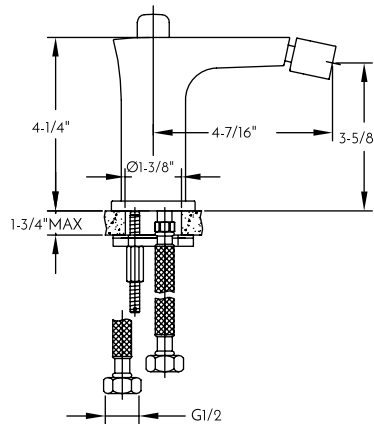


**DAX - 8569-CR**

**FEATURES**

- Single Lever
- Swiveling spout
- Ceramic cartridge
- Brass body
- Flow rate 1.2 GPM
- Installation hole 1-3/8"
- Chrome finish
- Hoses and mounting parts included
- Pop up drain not included (available)

BIDET FAUCETS

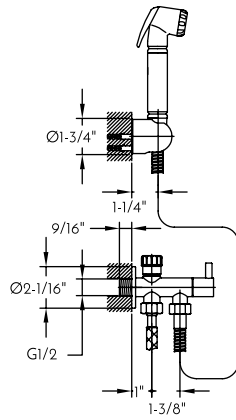


**DAX - 8583-CR**

**FEATURES**

- Single Lever
- Swiveling spout
- Ceramic cartridge
- Brass body
- Flow rate 1.2 GPM
- Installation hole 1-3/8"
- Chrome finish
- Hoses and mounting parts included
- Pop up drain not included (available)

HAND SHOWER



**DAX - 9317C**

**FEATURES**

- Single Lever
- Wall mount
- Ceramic cartridge
- Brass body
- Installation hole 1-3/8"
- Chrome finish
- ABS Shower holder
- Hoses and mounting parts included
- Pop up drain not included (available)

**FINISH**

- DAX-9317C-CR Chrome
- DAX-9317C-BN Brushed nickel

**DAX - 805A-CW**



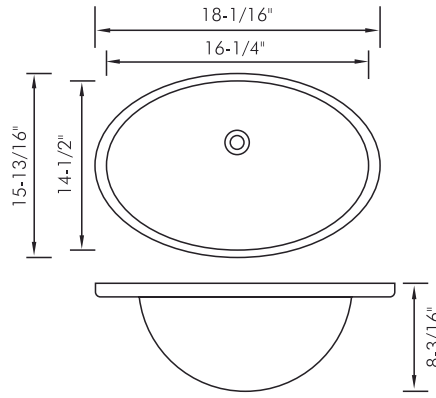




06 BATHROOM  
SINKS SERIES

---

CERAMIC UNDERMOUNT SINK

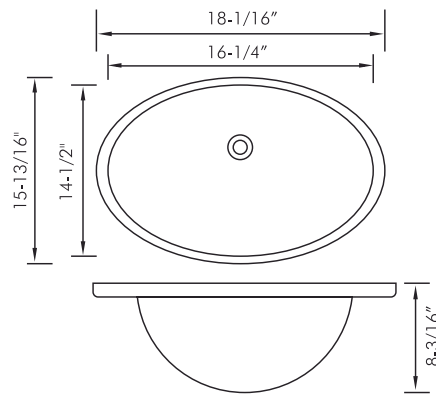


**BSN - 100**

**FEATURES**

- Ceramic material
- White gloss finish
- Overflow
- Overflow chrome ring included
- Pop up drain not included (available)
- Undermount installation
- Size W 18-1/16" x H 15-13/16" x D 8-3/16"

CERAMIC UNDERMOUNT SINK

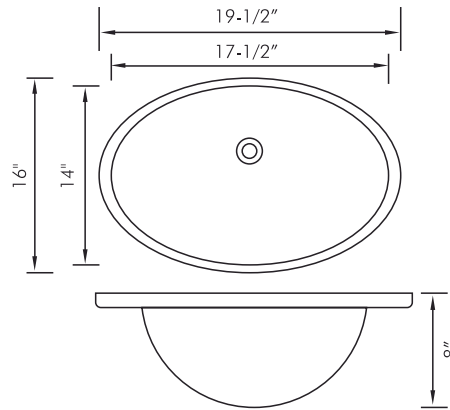


**BSN - 101**

**FEATURES**

- Ceramic material
- Ivory gloss finish
- Overflow
- Overflow chrome ring included
- Pop up drain not included (available)
- Undermount installation
- Size W 18-1/16" x H 15-13/16" x D 8-3/16"

CERAMIC UNDERMOUNT SINK

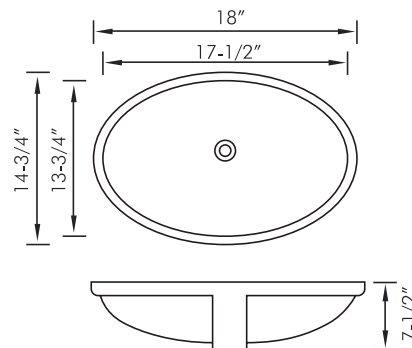


**BSN - 200**

**FEATURES**

- Ceramic material
- White gloss finish
- Overflow
- Overflow chrome ring included
- Pop up drain not included (available)
- Undermount installation
- Size W 19-1/2" x H 16" x D 8"

CERAMIC UNDERMOUNT SINK



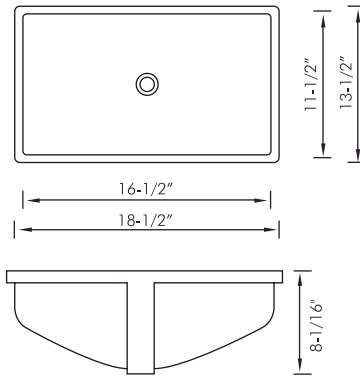
**BSN - 205B-W**

**FEATURES**

- Ceramic material
- White gloss finish
- Overflow
- Overflow chrome ring included
- Pop up drain not included (available)
- Undermount installation
- Size W 18" x H 14-3/4" x D 7-1/2"



CERAMIC UNDERMOUNT SINK



**BSN - 202C**

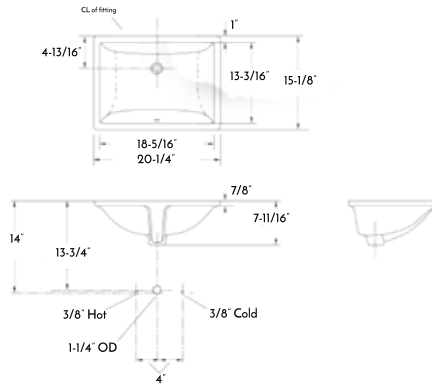
**FEATURES**

- Ceramic material
- Overflow
- Overflow chrome ring included
- Pop up drain not included (available)
- Undermount installation
- Size W 18-1/2" x H 13-1/2" x D 8-1/16"

**FEATURES**

- BSN-202C-I Ivory
- BSN-202C- White

CERAMIC UNDERMOUNT SINK

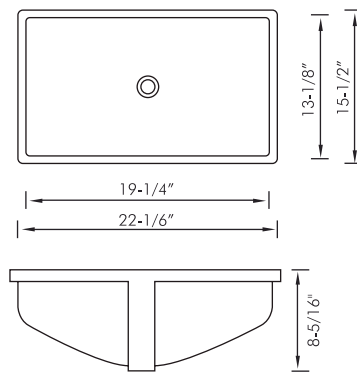


**BSN - 202M-W**

**FEATURES**

- Ceramic material
- White gloss finish
- Overflow
- Overflow chrome ring included
- Pop up drain not included (available)
- Undermount installation
- UPC approved

CERAMIC UNDERMOUNT SINK

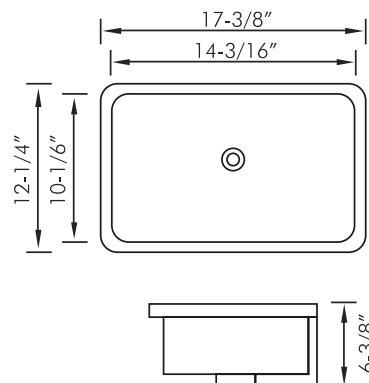


**BSN - 202G-W**

**FEATURES**

- Ceramic material
- White gloss finish
- Overflow
- Overflow chrome ring included
- Pop up drain not included (available)
- Undermount installation
- Size W 22-1/6" x H 15-1/2" x D 8-5/16"

CERAMIC UNDERMOUNT SINK

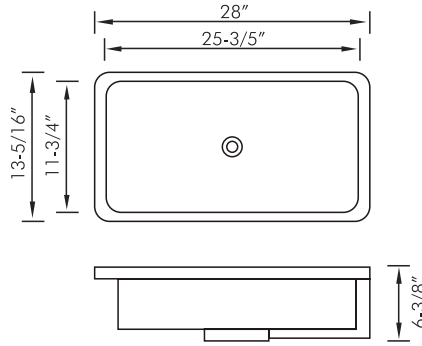


**BSN - 1812**

**FEATURES**

- Ceramic material
- White gloss finish
- Overflow
- Overflow chrome ring included
- Pop up drain not included (available)
- Undermount installation
- Size W 17-3/8" x H 12-1/4" x D 6-3/8"

CERAMIC UNDERMOUNT SINK

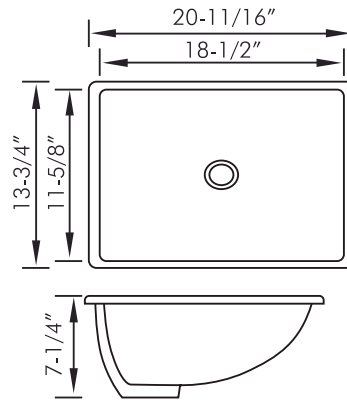


**BSN - 2814**

**FEATURES**

- Ceramic material
- White gloss finish
- Overflow
- Pop up drain not included (available)
- Undermount installation
- Size W 28" x H 13-5/16" x D 6-3/8"

CERAMIC UNDERMOUNT SINK

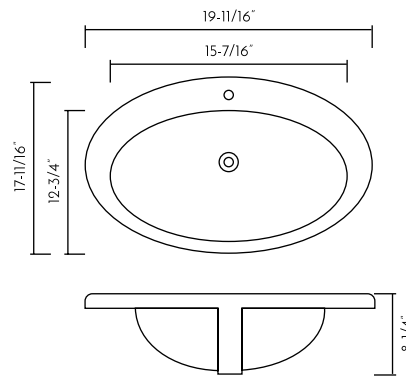


**BSN - CL2023**

**FEATURES**

- Ceramic material
- White gloss finish
- Overflow
- Overflow chrome ring included
- Pop up drain not included (available)
- Undermount installation
- Size W 20-11/16" x H 13-3/4" x D 7-1/4"

CERAMIC OVERMOUNT SINK

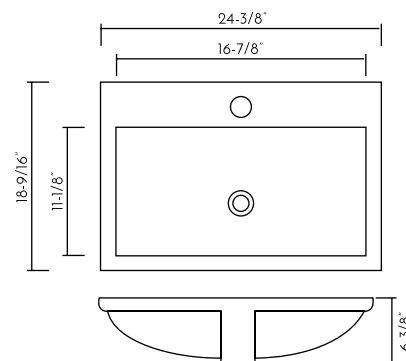


**BSN - 209-W**

**FEATURES**

- Ceramic material
- White gloss finish
- Overflow
- Overflow chrome ring included
- Pop up drain not included (available)
- Overmount installation
- Size W 19-11/16" x H 17-11/16" x D 8-1/4"

CERAMIC OVERMOUNT SINK

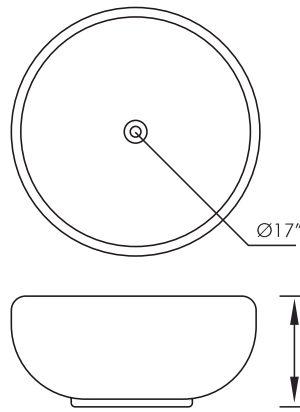


**BSN - 660-E**

**FEATURES**

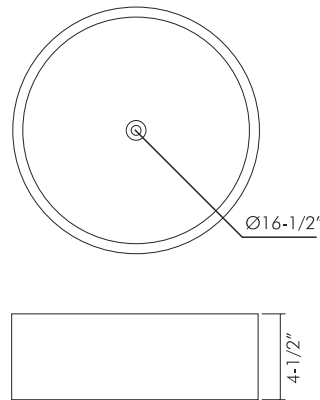
- Ceramic material
- White gloss finish
- Overflow
- Overflow chrome ring included
- Pop up drain not included (available)
- Overmount installation
- Size W 24-3/8" x H 18-9/16" x D 6-3/8"

CERAMIC VESSEL SINK

**BSN - 215-W****FEATURES**

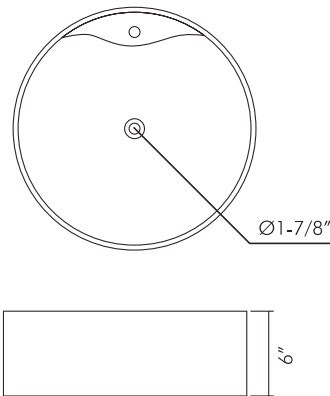
- Ceramic material
- White gloss finish
- Overflow
- Overflow chrome ring included
- Pop up drain not included (available)
- Vessel installation
- Size  $\text{Ø} 17'' \times \text{D} 6\text{-}11/16''$

CERAMIC VESSEL SINK

**BSN - 218****FEATURES**

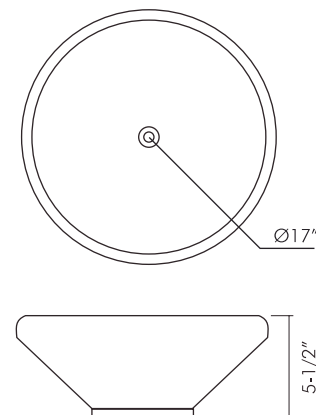
- Ceramic material
- White gloss finish
- Overflow
- Overflow chrome ring included
- Pop up drain not included (available)
- Vessel installation
- Size  $\text{Ø} 16\text{-}1/2'' \times \text{D} 4\text{-}1/2''$

CERAMIC VESSEL SINK

**BSN - 222-A****FEATURES**

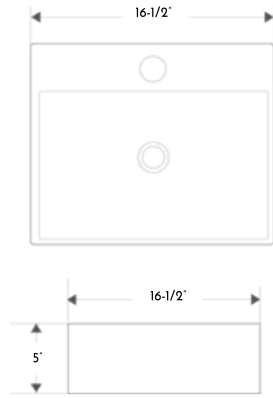
- Ceramic material
- White gloss finish
- Overflow
- Overflow chrome ring included
- Pop up drain not included (available)
- Vessel installation
- Size  $\text{Ø} 18\text{-}1/8'' \times \text{D} 6''$

CERAMIC VESSEL SINK

**BSN - 234****FEATURES**

- Ceramic material
- White gloss finish
- Pop up drain not included (available)
- Vessel installation
- Size  $\text{Ø} 17'' \times \text{D} 5\text{-}1/2''$

CERAMIC VESSEL SINK

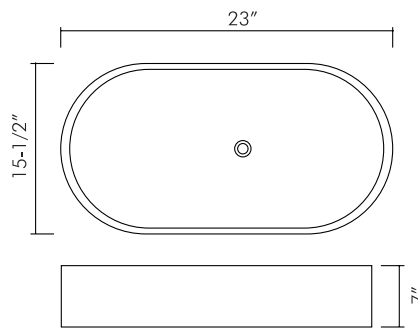


**BSN - CL1274**

**FEATURES**

- Ceramic Material
- White Gloss Finish
- Square Shape
- Vessel Installation
- Overflow
- Size W 16-1/2" x H 16-1/2" x D 5"

CERAMIC VESSEL SINK

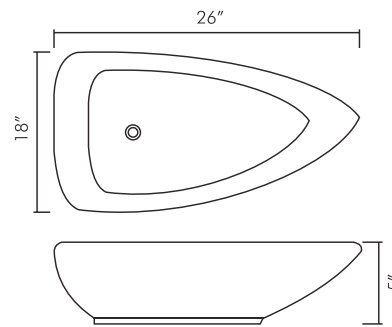


**BSN - 243C**

**FEATURES**

- Ceramic material
- White gloss finish
- Overflow
- Overflow chrome ring included
- Pop up drain not included (available)
- Vessel installation
- Size W 23" x H 15-1/2" x D 7"

CERAMIC VESSEL SINK

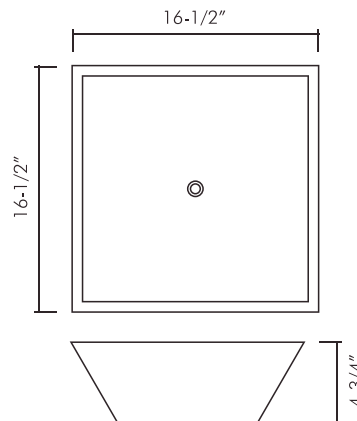


**BSN - 223**

**FEATURES**

- Ceramic material
- White gloss finish
- Pop up drain not included (available)
- Vessel installation
- Size W 26" x H 18" x D 5"

CERAMIC VESSEL SINK

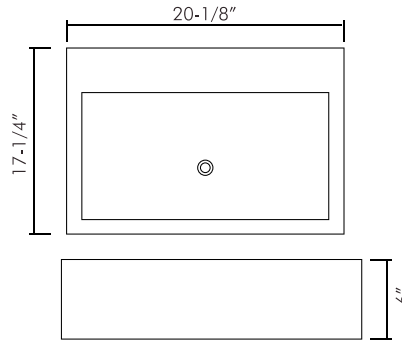


**BSN - 230**

**FEATURES**

- Ceramic material
- White gloss finish
- Overflow
- Overflow chrome ring included
- Pop up drain not included (available)
- Vessel installation
- Size W 16-1/2" x H 16-1/2" x D 4-3/4"

CERAMIC VESSEL SINK

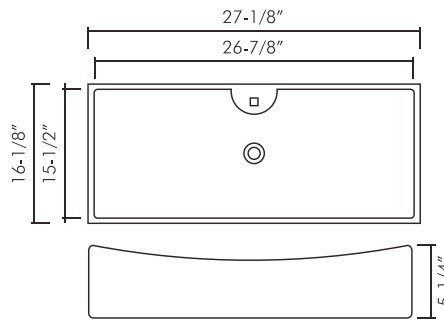


**BSN - 241**

**FEATURES**

- Ceramic material
- White gloss finish
- Overflow
- Overflow chrome ring included
- Pop up drain not included (available)
- Vessel installation
- Size W 20-1/8" x H 17-1/4" x D 6"

CERAMIC VESSEL SINK

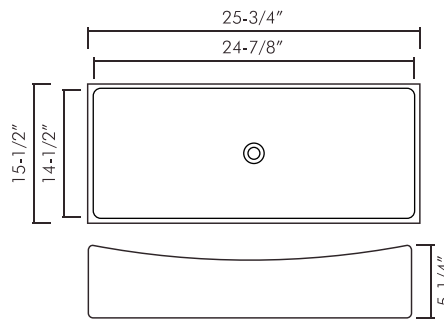


**BSN - 280A**

**FEATURES**

- Ceramic material
- White gloss finish
- Pop up drain not included (available)
- Vessel installation
- Size W 27-1/8" x H 16-1/8" x D 5-1/4"

CERAMIC VESSEL SINK

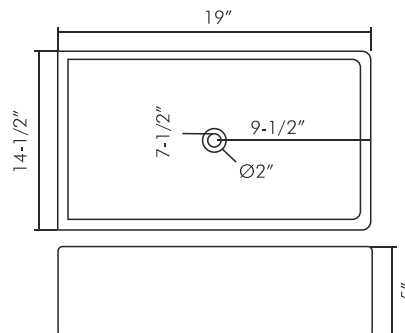


**BSN - 280B**

**FEATURES**

- Ceramic material
- White gloss finish
- Pop up drain not included (available)
- Vessel installation
- Size W 25-3/4" x H 15-1/2" x D 5-1/4"

CERAMIC VESSEL SINK



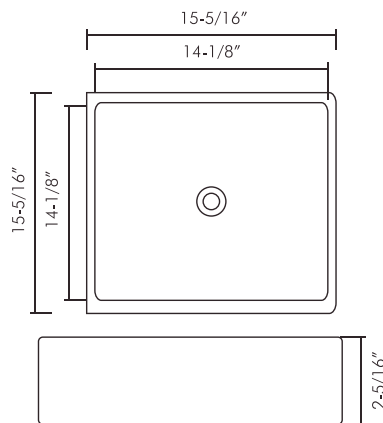
**BSN - 285B**

**FEATURES**

- Ceramic material
- White gloss finish
- Pop up drain not included (available)
- Vessel installation
- Size W 19" x H 14-1/2" x D 5"



CERAMIC VESSEL SINK

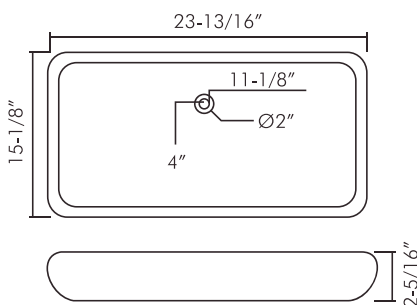


**BSN - 285C**

**FEATURES**

- Ceramic material
- White gloss finish
- Pop up drain not included (available)
- Vessel installation
- Size W 15-5/16" x H 15-5/16" x D 2-5/16"

CERAMIC VESSEL SINK

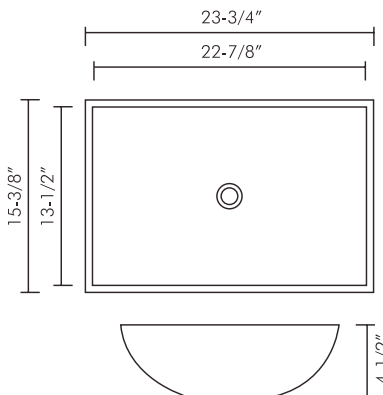


**BSN - 285I**

**FEATURES**

- Ceramic material
- White gloss finish
- Pop up drain not included (available)
- Vessel installation
- Size W 23-13/16" x H 15-1/8" x D 2-5/16"

CERAMIC VESSEL SINK

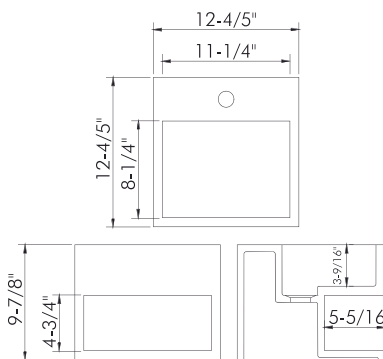


**BSN - CL1056**

**FEATURES**

- Ceramic material
- White gloss finish
- Pop up drain not included (available)
- Vessel installation
- Size W 23-3/4" x H 15-3/8" x D 4-1/2"

SOLID SURFACE SINK

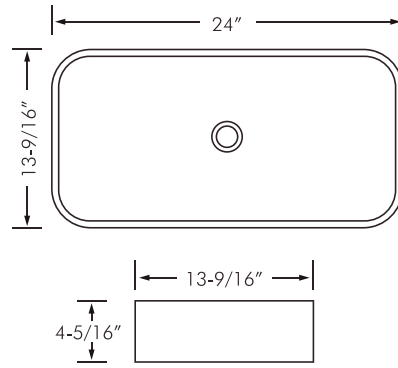


**DAX - AB-1360**

**FEATURES**

- Solid Surface Material
- White Matte Finish
- Vessel Installation
- Size W 12-4/5" x H 12-4/5" x D 9-7/8"

SOLID SURFACE SINK

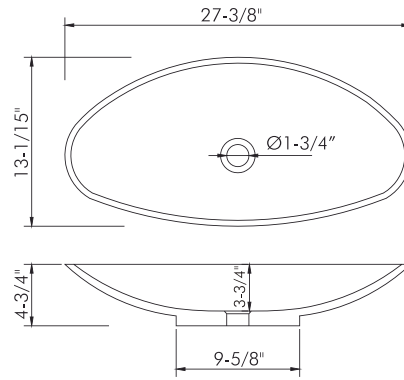


**BSN - CL1320**

**FEATURES**

- Ceramic material
- White gloss finish
- Pop up drain not included (available)
- Vessel installation
- Size W 24" x H 13-9/16" x D 4-5/16"

SOLID SURFACE SINK

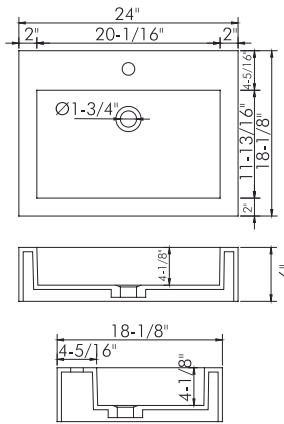


**DAX - AB-1302**

**FEATURES**

- Solid surface material
- White matte finish
- Pop up drain not included (available)
- Vessel installation
- Size W 27-3/8" x H 13-1/5" x D 4-3/4"

SOLID SURFACE SINK

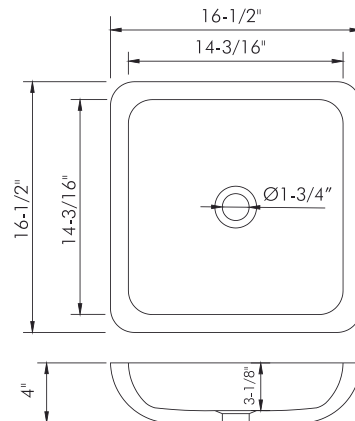


**DAX - AB-032**

**FEATURES**

- Solid surface material
- White matte finish
- Overflow
- Overflow chrome ring included
- Pop up drain not included (available)
- Vessel installation
- Size W 24" x H 18-1/8" x D 6"

SOLID SURFACE SINK



**DAX - AB-1320**

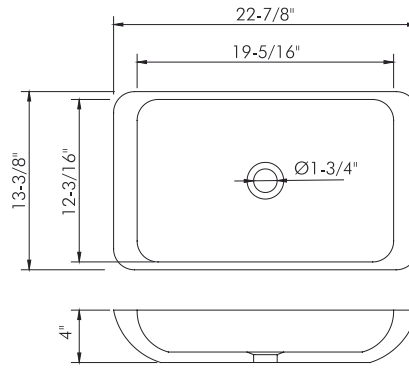
**FEATURES**

- Solid surface material
- White matte finish
- Pop up drain not included (available)
- Vessel installation
- Size W 16-1/2" x H 16-1/2" x D 4"

**FINISH**

- DAX-AB-1320 Matte White
- DAX-AB-1320-B Matte Black
- DAX-AB-1320-G Matte Grey

SOLID SURFACE SINK

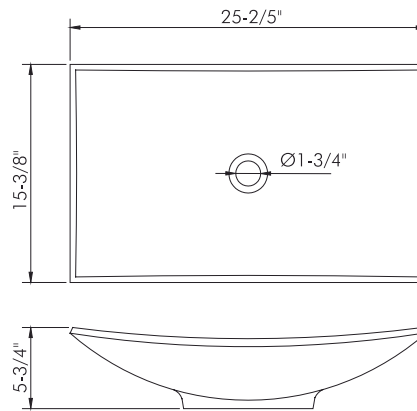


**DAX - AB-1321**

**FEATURES**

- Solid surface material
- White matte finish
- Pop up drain not included (available)
- Vessel installation
- Size W 22-7/8" x H 13-3/8" x D 4"

SOLID SURFACE SINK



**DAX - AB-1325**

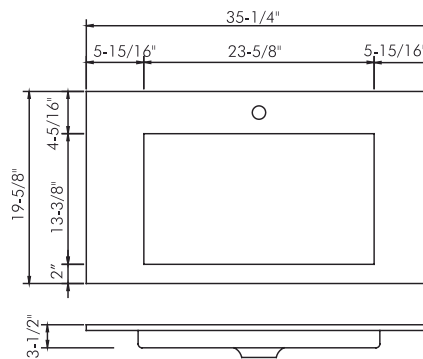
**FEATURES**

- Solid surface material
- White matte finish
- Pop up drain not included (available)
- Vessel installation
- Size W 25-2/5" x H 15-3/8" x D 5-3/4"

**FINISH**

- DAX-AB-1325 Matte White
- DAX-AB-1325-B Matte Black
- DAX-AB-1325-G Matte Grey

SOLID SURFACE SINK

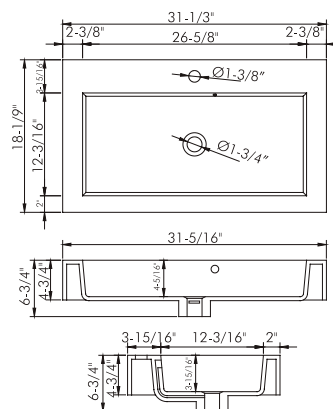


**DAX - AB-1331**

**FEATURES**

- Solid surface material
- White matte finish
- Vessel installation
- Size W 35-1/4" x H 19-5/8" x D 3-1/2"

SOLID SURFACE SINK

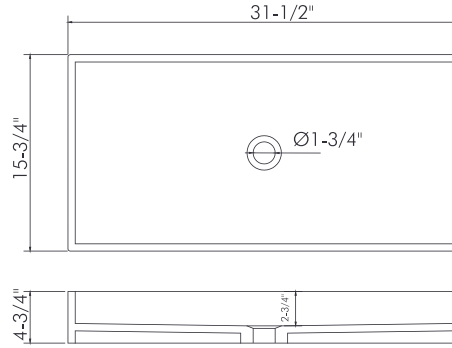


**DAX - AB-1021**

**FEATURES**

- Solid surface material
- White matte finish
- Overflow
- Overflow chrome ring included
- Pop up drain not included (available)
- Vessel installation
- Size W 31-1/3" x H 18-1/9" x D 6-3/4"

SOLID SURFACE SINK

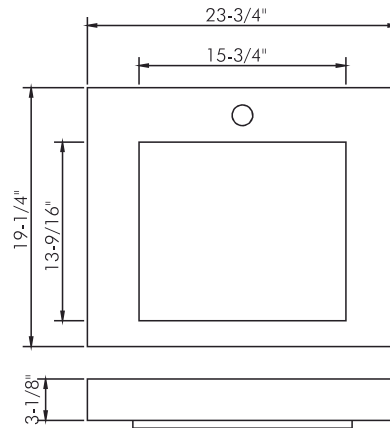


**DAX - AB-1327**

**FEATURES**

- Solid surface material
- White matte finish
- Pop up drain not included (available)
- Vessel installation
- Size W 31-1/2" x H 15-3/4" x D 4-3/4"

SOLID SURFACE SINK



**DAX - AB-1330**

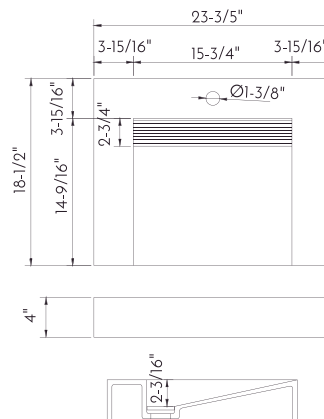
**FEATURES**

- Solid surface material
- White matte finish
- Vessel installation
- Size W 23-3/4" x H 19-1/4" x D 3-1/8"

**FINISH**

- DAX-AB-1330 Matte White
- DAX-AB-1330-B Matte Black
- DAX-AB-1330-G Matte Grey

SOLID SURFACE SINK

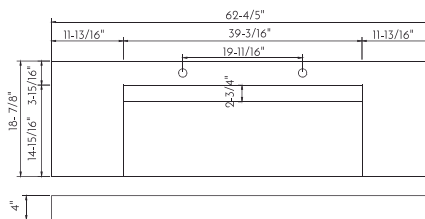


**DAX - AB-1379**

**FEATURES**

- Solid surface material
- White matte finish
- Vessel installation
- Size W 23-3/5" x H 18-1/2" x D 4"

SOLID SURFACE SINK

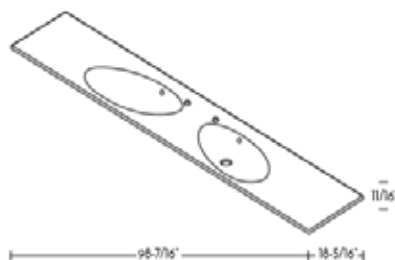


**DAX - AB-1371**

**FEATURES**

- Solid surface material
- White matte finish
- Vessel installation
- Size W 62-4/5" x H 18-7/8" x D 4"

SOLID SURFACE SINK



**BSN - 70098**

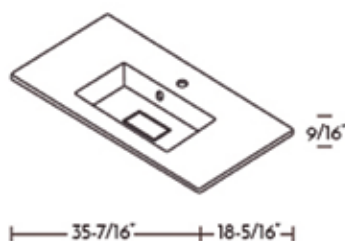
**FEATURES**

- Solid surface
- Leaf collection
- Size W 98-7/16" x H 18-5/16" x D 11/16"

**FINISH**

- BSN-70098-G Gloss
- BSN-70098-M Matte

SOLID SURFACE SINK



**BSN - 80036**

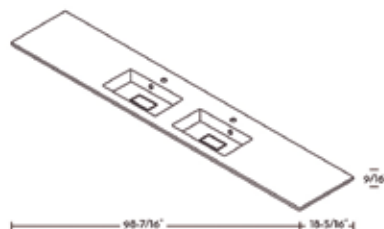
**FEATURES**

- Solid surface
- Mare collection
- Size W 35-7/16" x H 18-5/16" x D 9/16"

**FINISH**

- BSN-80036-G Gloss
- BSN-80036-M Matte

SOLID SURFACE SINK



**BSN - 80098**

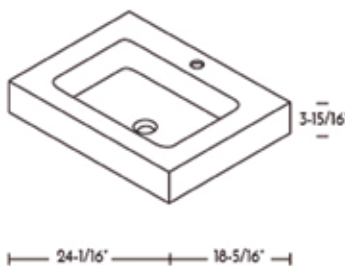
**FEATURES**

- Solid surface
- Mare collection
- Size W 98-7/16" x H 18-5/16" x D 9/16"

**FINISH**

- BSN-80098-G Gloss
- BSN-80098-M Matte

SOLID SURFACE SINK



**BSN - 90024**

**FEATURES**

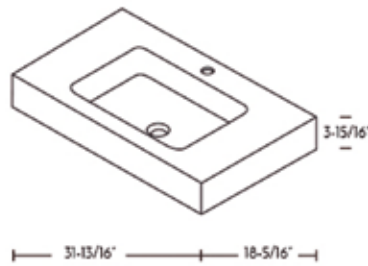
- Solid surface
- Alto Collection
- W 24-1/16" x H 18-5/16" x D 3-15/16"

**FINISH**

- BSN-90024-G Gloss
- BSN-90024-M Matte



SOLID SURFACE SINK



**BSN - 90032**

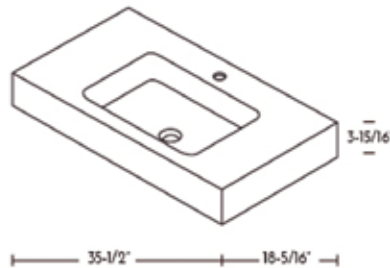
**FEATURES**

- Solid surface
- Alto collection
- Size W 31-13/16" x H 18-5/16" x D 3-15/16"

**FINISH**

- BSN-90032-G Gloss
- BSN-90032-M Matte

SOLID SURFACE SINK



**BSN - 90036**

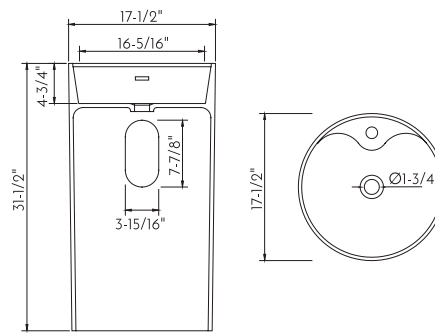
**FEATURES**

- Solid surface
- Alto collection
- Size W 35-1/2" x H 18-5/16" x D 3-15/16"

**FINISH**

- BSN-90036-G Gloss
- BSN-90036-M Matte

SOLID SURFACE SINK

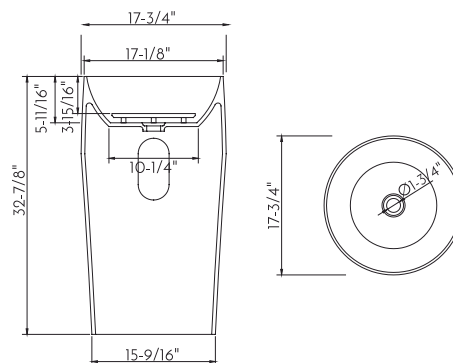


**DAX - AB-1380**

**FEATURES**

- Solid surface material
- White matte finish
- Pop up drain not included (available)
- Freestanding installation
- Size W 17-1/2" x H 17-1/2" x D 31-1/2"

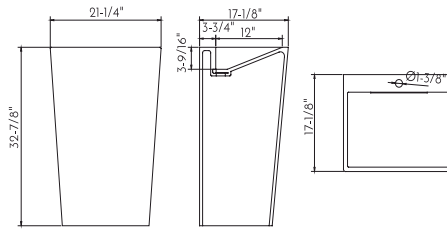
SOLID SURFACE SINK



**DAX - AB-1381**

**FEATURES**

- Solid surface material
- White matte finish
- Freestanding installation
- Size W 17-3/4" x H 17-3/4" x D 32-7/8"

**DAX - AB-1384****FEATURES**

- Solid surface material
- White matte finish
- Freestanding installation
- Size W  $21\frac{1}{4}''$  x H  $17\frac{1}{8}''$  x D  $32\frac{7}{8}''$

**DAX - AB-1320**













07 BATHROOM  
MIRRORS SERIES

---



BATHROOM MIRRORS

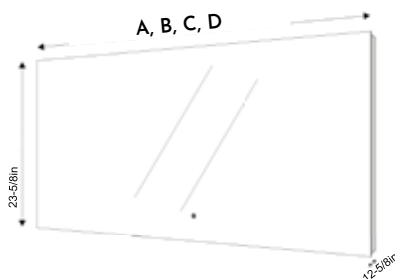


**DAX - DL03A-S12160**

**FEATURES**

- Free Standing
- Lighted Mirror
- Size: H 63" x W 16-9/16
- Chrome Finish
- Glass / Aluminum Material
- No mirror frame
- Rectagle Shape
- Plain simple mirror front

BATHROOM MIRRORS



**DAX - DL03C**

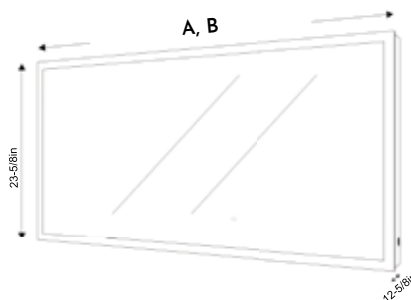
**FEATURES**

- Sided Back light
- Touch sensor
- Glass / Aluminum Material
- No mirror frame
- Rectangle shape
- Plain simple mirror front

**SIZES**

- A. DAX-DL03C-8060 32" x 23-5/8"
- B. DAX-DL03C-12060 48" x 23-5/8"
- C. DAX-DL03C-16060 64" x 23-5/8"
- D. DAX-DL03C-18060 72" x 23-5/8"

BATHROOM MIRRORS



**DAX - DL03D**

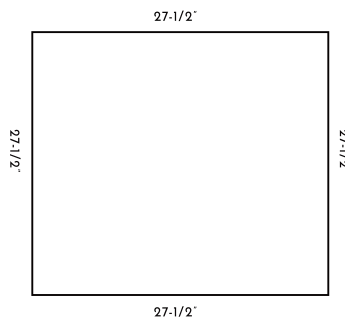
**FEATURES**

- Wide frost light
- Glass / Aluminum Material
- No mirror frame
- Rectangle shape
- Sandblasted mirror front

**SIZES**

- A. DAX-DL03D-M8060 32" x 23-5/8"
- B. DAX-DL03D-M12060 48" x 23-5/8"

BATHROOM MIRRORS

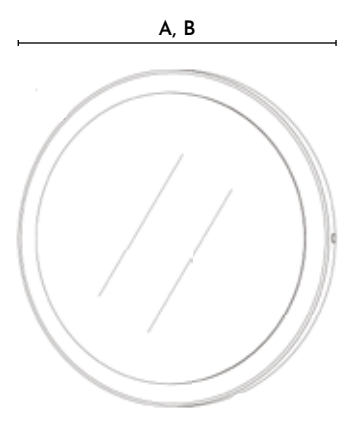


**DAX - DL03B**

**FEATURES**

- Wide frost light
- Glass / Aluminum Material
- No mirror frame
- Rectangle shape
- Sandblasted mirror front

BATHROOM MIRRORS



**DAX - DL50**

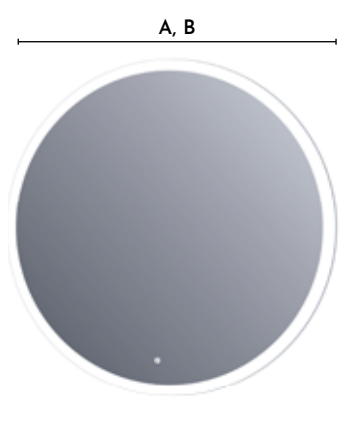
**FEATURES**

- Round Shape
- Curved engraving back light
- Glass / MDF material
- No mirror frame
- Plain simple mirror front

**SIZES**

A. DAX-DL50-6060 23-5/8" mn Without  
 B. DAX-DL50-8080 31-1/2" With Magnif

BATHROOM MIRRORS



**DAX - DL73**

**FEATURES**

- Diffusive light guideline panel
- Round shape
- Glass / Acrilyc material
- No mirror frame
- Sandblasted mirror front

**SIZES**

A. DAX-DL73-6060 23-5/8"  
 B. DAX-DL73-9090 35-7/16"

BATHROOM MIRRORS

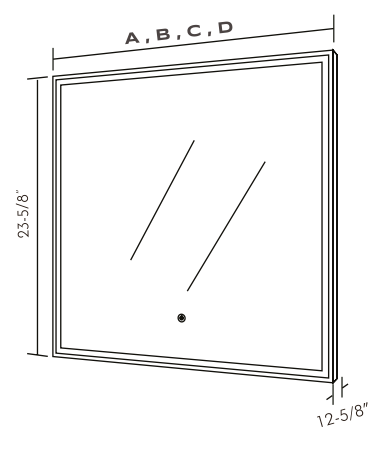


**DAX - DL74-6080**

**FEATURES**

- Diffusive light guideline panel
- Rectangle with rounded corners shape
- Size: H 31-1/2" x W 23-5/8" x D 12-5/8"
- Glass / Acrilyc material
- No mirror frame
- Sandblasted mirror front

BATHROOM MIRRORS



**DAX - DL75**

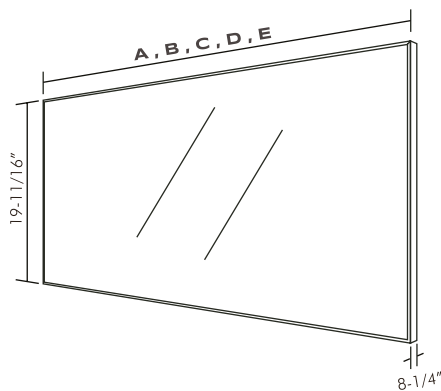
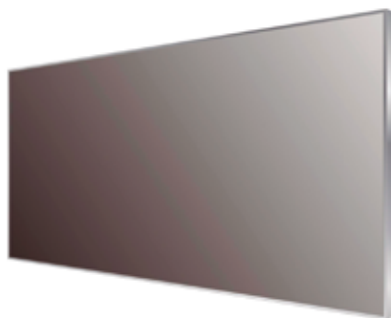
**FEATURES**

- Aluminum frame
- Led light with touch switch
- Hanging hardware included

**SIZES**

A. DAX-DL756060 23-5/8" x 23-5/8"  
 B. DAX-DL758060 31-1/2" x 23-5/8"  
 C. DAX-DL759060 35-7/16" x 23-5/8"  
 D. DAX-DL7510060 39-3/8" x 23-5/8"  
 E. DAX-DL7512060 48" x 24"

BATHROOM MIRRORS



**DAX - AF1**

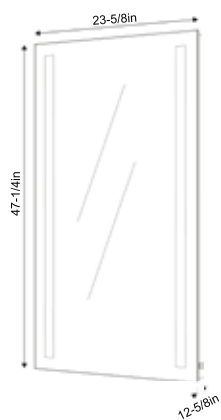
**FEATURES**

- Aluminum frame
- Hanging hardware included

**SIZES**

- A. DAX-AF10050 39-3/8" x 19-11/16"
- B. DAX-AF11050 43-5/16" x 19-11/16"
- C. DAX-AF12050 47-1/4" x 19-11/16"
- D. DAX-AF14050 55-1/8" x 19-11/16"
- E. DAX-AF15050 59-1/6" x 19-11/16"

BATHROOM MIRRORS

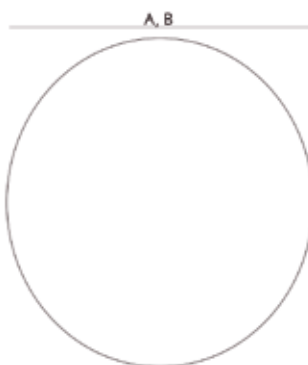


**DAX - TH-1**

**FEATURES**

- Rectangular shape
- No mirror frame
- Size: H 47-1/4" x W 23-5/8" x D 12-5/8"
- Lighted mirror

BATHROOM MIRRORS



**DAX - 120-STRIP**

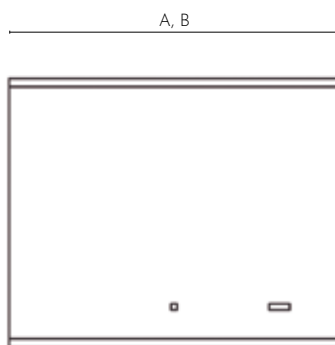
**FEATURES**

- Round mirror
- Glass thickness 4mm
- Made in Spain

**SIZES**

- A. DAX -120-STRIP 24" x 24"
- B. DAX -120-STRIP 32" x 32"

BATHROOM MIRRORS



**DAX - 120-BAY**

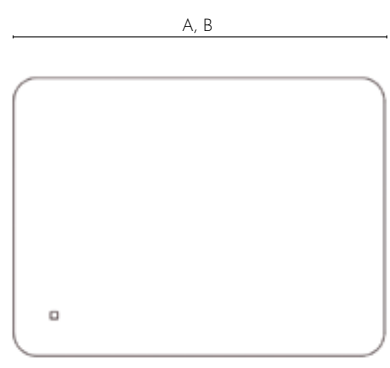
**FEATURES**

- Contact sensor on/off
- 2 bright LED strips lights
- Digital clock
- 2 speakers 3w each
- No Mirror Frame
- Rectangular Shape
- Metal / Mirror Material

**SIZES**

- A. DAX-120-BAY0232 32" x 25-9/16"
- B. DAX-120-BAY0240 40" x 25-9/16"

BATHROOM MIRRORS



**DAX - 120-CALI**

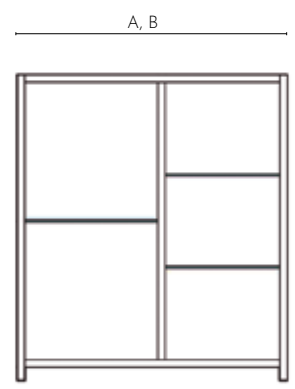
**FEATURES**

- Contact sensor on/off
- Ambient light
- Reversible
- No mirror frame
- Round corners shape
- Mirror material

**SIZES**

- A. DAX-120-CALIO224 24" x 39 1/4"
- B. DAX-120-CALIO232 32" x 39 1/4"

BATHROOM MIRRORS



**DAX - 120-SEA**

**FEATURES**

- 1 door without handle
- Glass shelves
- 2 adjustable mirror hangers
- No mirror frame
- Rectangular shape
- Particle Tableboard (CARB) material
- Bathroom / Vanity type

**SIZES**

- A. DAX-120-SEA0224 24" x 26-3/4"
- B. DAX-120-SEA0232 32" x 26-3/4"

BATHROOM MIRRORS



**DAX - 120-SUN**

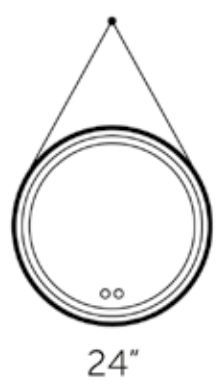
**FEATURES**

- Rectangular shape
- No mirror frame
- Particle Tableboard (CARB) material
- Reversible

**SIZES**

- A. DAX-120-SUN0124 24" x 31-1/2"
- B. DAX-120-SUN0129 29" x 31-7/8"
- C. DAX-120-SUN0132 32" x 31-1/2"
- D. DAX-120-SUN0140 40" x 31-1/2"
- E. DAX-120-SUN0148 48" x 31-1/2"
- F. DAX-120-SUN0156 56" x 31-1/2"
- G. DAX-120-SUN0164 64" x 32"
- H. DAX-120-SUN0172 72" x 31-1/2"

BATHROOM MIRRORS



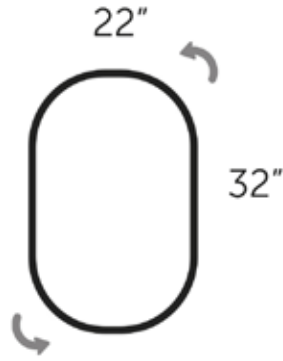
**DAX - 120-AURA**

**FEATURES**

- Round mirror
- LED light

**SIZES**

- A. DAX-120-AURAO224 24"
- B. DAX-120-AURAO228 28"

**DAX - 120-SOUL****FEATURES**

- Reversible
- Metal frame

**SIZES**

- A. Matt black (DAX-120-SOULO3222-BL)
- B. Matt gold (DAX-120-SOULO3222-GL)

**DAX - AF10050**

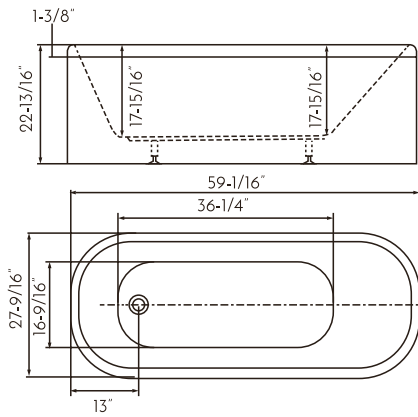




08 BATHTUBS SERIES

---

BATHTUBS

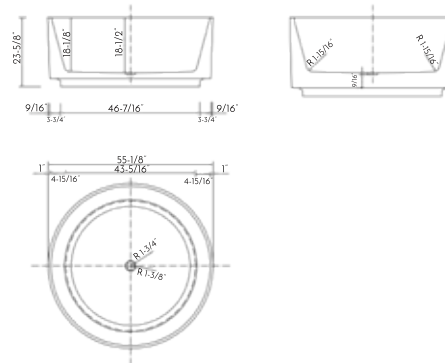


**BT - 8062**

**FEATURES**

- Freestanding installation
- Acrylic material
- White gloss finish
- Off center drain
- Overflow
- Overflow drain included
- Pop up drain Included
- Size W 59-1/16" x H 22-13/16" x D 27-9/16"

BATHTUBS

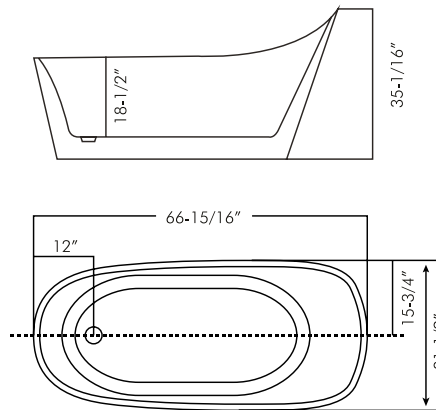


**BT - 8028**

**FEATURES**

- Acrylic material
- Freestanding installation
- Glossy white finish
- Round shape
- With overflow
- Maximum capacity: 93.78 gallons

BATHTUBS

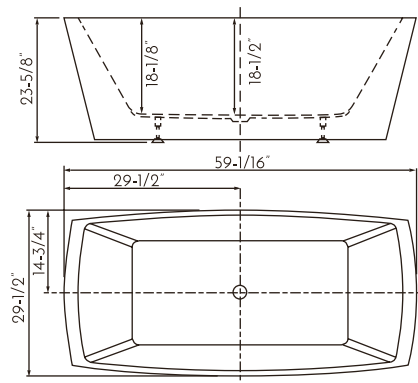


**BT - 8089**

**FEATURES**

- Freestanding installation
- Acrylic material
- White gloss finish
- Off center drain
- Overflow
- Overflow drain included
- Pop up drain Included
- Size W 66-15/16" x H 35-1/16" x D 31-1/2"

BATHTUBS

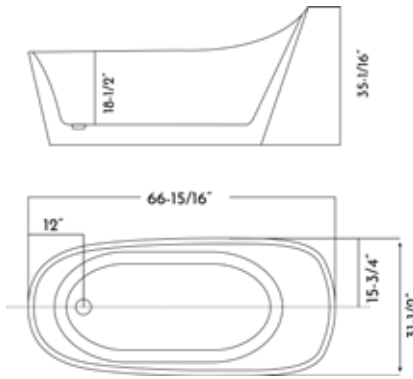


**BT - 8017**

**FEATURES**

- Freestanding installation
- Acrylic material
- White gloss finish
- Central Drain
- Overflow
- Overflow drain included
- Pop up drain Included
- Size W 59-1/16" x H 23-5/8" x D 29-1/2"

BATHTUBS

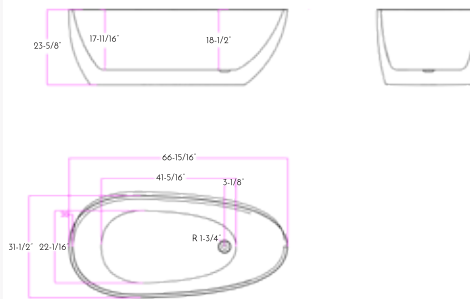


**BT - 8099**

**FEATURES**

- Acrylic Material
- Freestanding
- Glossy White Finish
- Oval Shape
- With Overflow
- Maximum Capacity 93.78 Gallons

BATHTUBS

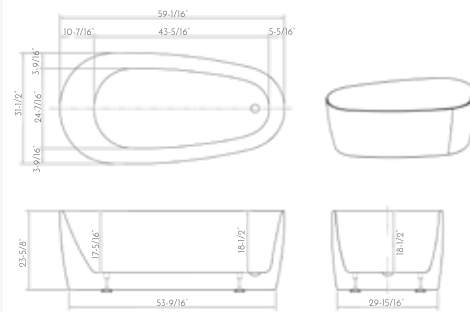


**BT - 8317**

**FEATURES**

- Acrylic material
- Freestanding installation
- Glossy white finish
- Oval shape
- With overflow
- Maximum capacity: 70 galons

BATHTUBS



**BT - 8365**

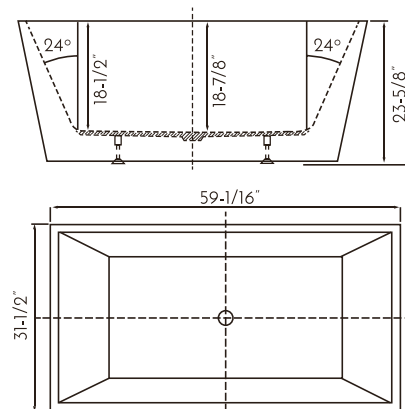
**FEATURES**

- Acrylic material
- Freestanding Installation
- Oval shape
- With overflow
- Maximum capacity: 68.68 gallons

**FEATURES**

- Glossy white (BT-8365)
- Matt white (BT-8365-M)

BATHTUBS

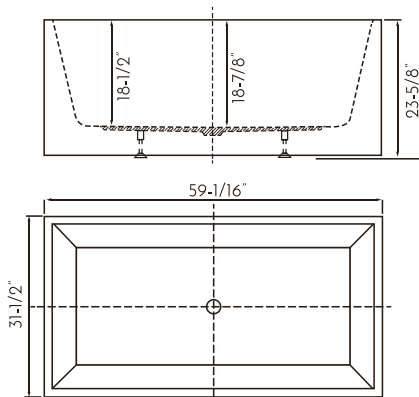


**BT - 8013**

**FEATURES**

- Freestanding installation
- Acrylic material
- White gloss finish
- Central Drain
- Overflow
- Overflow drain included
- Pop up drain Included
- Size W 59-1/16" x H 23-5/8" x D 31-1/2"

BATHTUBS

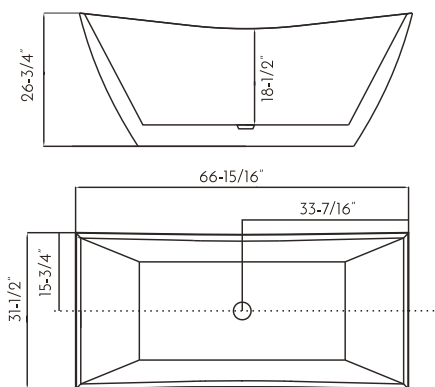


**BT - 8013A**

**FEATURES**

- Freestanding installation
- Acrylic material
- White gloss finish
- Central Drain
- Overflow
- Overflow drain included
- Pop up drain Included
- Size W 59-1/16" x H 23-5/8" x D 31-1/2"

BATHTUBS

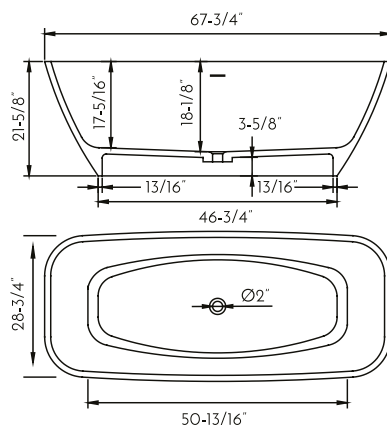


**BT - 8086**

**FEATURES**

- Freestanding installation
- Acrylic material
- White gloss finish
- Central drain
- Overflow
- Overflow drain included
- Pop up drain Included
- Size W 66-15/16" x H 26-3/4" x D 31-1/2"

BATHTUBS

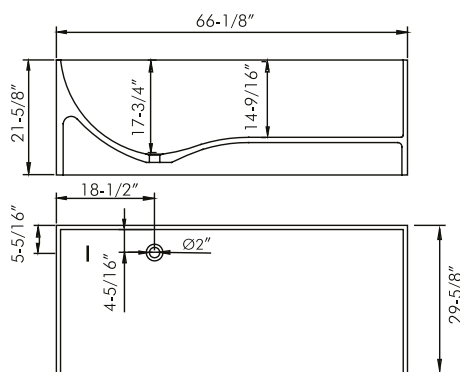


**BT - AB-BO37**

**FEATURES**

- Freestanding installation
- Solid surface
- White matte finish
- Central Drain
- Overflow
- Overflow drain included
- Drain not included
- Size W 67-3/4" x H 21-5/8" x D 28-3/4"

BATHTUBS



**BT - AB - BO29**

**FEATURES**

- Freestanding installation
- Solid surface
- White matte finish
- Off center drain
- Overflow
- Overflow drain included
- Drain not included
- Size W 66-1/8" x H 21-5/8" x D 29-5/8"



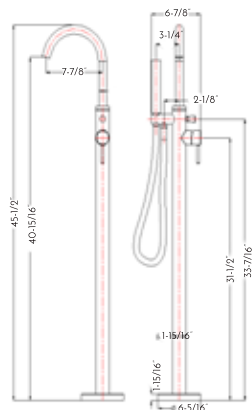


09 BATHTUB  
FILLERS SERIES

---



BATHTUB FILLERS



**DAX - 8823**

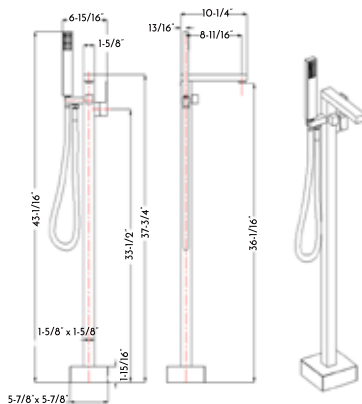
**FEATURES**

- Free Standing with Gooseneck spout
- Handle Flow Rate: 2.2 GPM at 60 PSI
- Spout Flow rate: 2.5 GPM at 79 PSI
- Hoses and mounting parts included
- Brushed gold Finish

**FEATURES**

- DAX-8823-BG Brushed gold
- DAX-8823-BL Matt black
- DAX-8823-BN Brushed nickel
- DAX-8823-CR Chrome

BATHTUB FILLERS



**DAX - 8833**

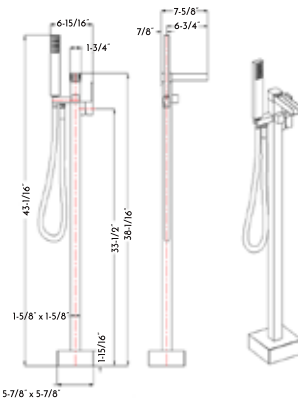
**FEATURES**

- Free Standing with Hand Shower and square spout
- Handle Flow Rate: 2.2 GPM at 60 PSI
- Spout Flow rate: 2.5 GPM at 79 PSI
- Hoses and mounting parts included
- Brushed Gold Finish

**FEATURES**

- DAX-8833-BG Brushed gold
- DAX-8833-BL Matt black
- DAX-8833-BN Brushed nickel
- DAX-8833-CR Chrome

BATHTUB FILLERS



**DAX - 8853**

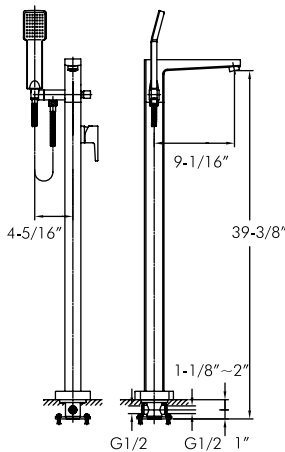
**FEATURES**

- Free standing with hand shower and waterfall spout
- Flow rate: Handle 2.2 GPM at 60 PSI
- Spout 2.5 GPM at 79 PSI
- Ceramic cartridge
- Water lines and mounting parts included

**FEATURES**

- DAX-8853-BN Brushed nickel
- DAX-8853-CR Chrome

BATHTUB FILLERS

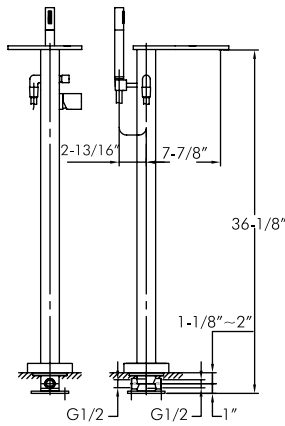


**DAX - 8129**

**FEATURES**

- Floor mount
- Brass body
- Chrome finish
- Anti-scalding protection
- Ceramic cartridge
- Flow rate 5.0 GPM
- Hand shower included
- Mounting parts and water lines included

BATHTUB FILLERS

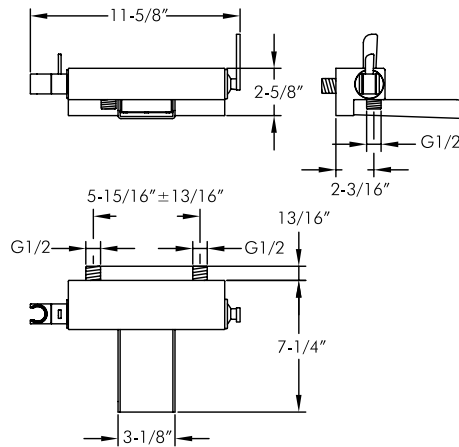


**DAX - 8180**

**FEATURES**

- Floor mount
- Brass body
- Chrome finish
- Anti-scalding protection
- Ceramic cartridge
- Hand shower included
- Mounting parts and water lines included

BATHTUB FILLERS



**DAX - 8105**

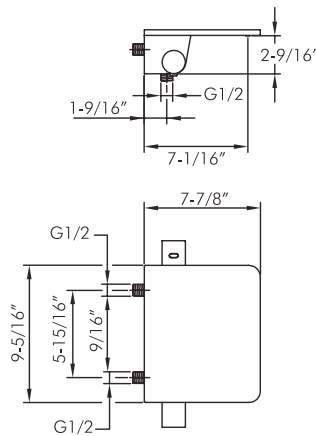
**FEATURES**

- Wall mount
- Brass body
- Chrome finish
- Anti-scalding protection
- Ceramic cartridge
- Flow rate 3.3 GPM
- Hand shower included
- Mounting parts and water lines included

**FINISH**

- DAX-8105-CR Chrome
- DAX--8105-BN Brushed nickel

BATHTUB FILLERS



**DAX - 8190**

**FEATURES**

- Wall mount
- Brass body
- Chrome finish
- Thermostatic valve
- Anti-scalding protection
- Ceramic cartridge
- Flow rate 2.0 GPM
- Mounting parts and water lines included

**REQUIRES**

- D-H34
- DAX-516
- DAX-044-CR

**DAX - 8190**

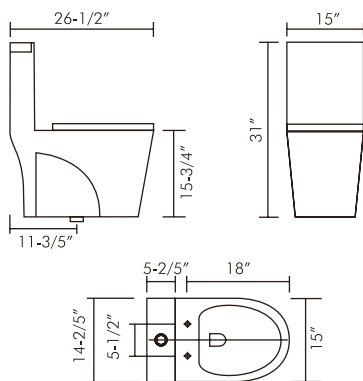




TOILETS SERIES 10

---

TOILETS

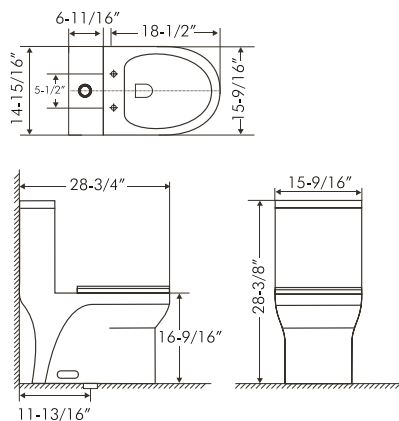


**BSN - CL12011**

**FEATURES**

- Ceramic material
- White gloss finish
- Chrome flush buttons
- Soft close seat included
- Dual flush
- 1.06 - 1.6 GPF
- One piece construction
- Floor mount

TOILETS

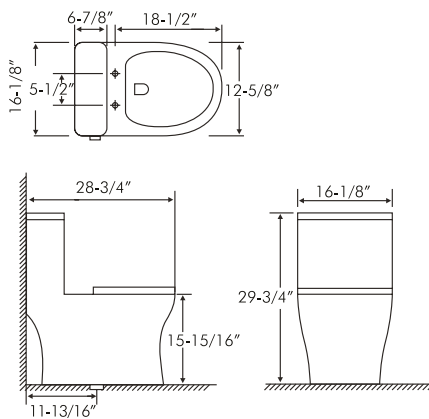


**BSN - CL12050A**

**FEATURES**

- Ceramic material
- White gloss finish
- Chrome flush buttons
- Soft close seat included
- Dual flush
- 1.06 - 1.6 GPF
- One piece construction
- Floor mount

TOILETS



**BSN - CL12243**

**FEATURES**

- Ceramic material
- White gloss finish
- Chrome flush buttons
- Soft close seat included
- Dual flush
- 1.06 - 1.6 GPF
- One piece construction
- Floor mount

TOILETS



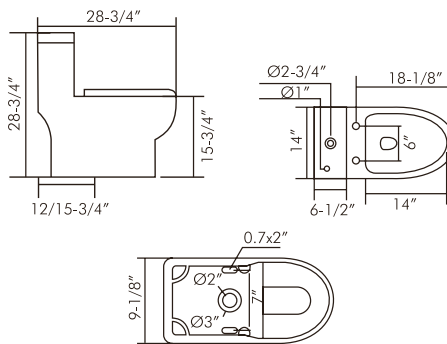
**BSN - 11**

**FEATURES**

- Ceramic material
- White gloss finish
- Chrome flush buttons
- Soft close seat included
- Dual flush
- 1.06 - 1.6 GPF
- One piece construction
- Floor mount



TOILETS

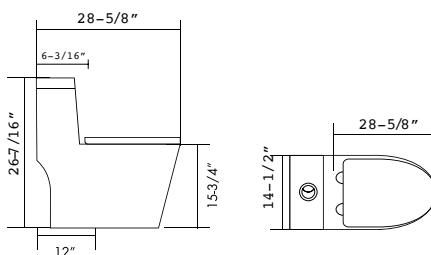


**BSN - 76**

**FEATURES**

- Ceramic material
- White gloss finish
- Chrome flush buttons
- Soft close seat included
- Dual flush
- 1.1 - 1.6 GPF
- One piece construction • Floor mount

TOILETS

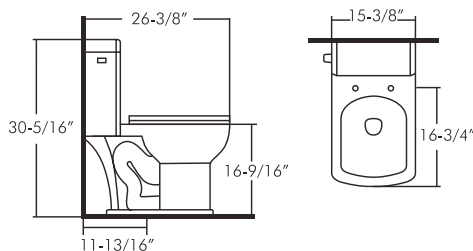


**BSN - 80**

**FEATURES**

- Porcelain material
- White finish
- Chrome flush buttons
- Soft close seat included
- Dual flush
- 1.06 - 1.6 GPF
- One piece construction
- Floor mount

TOILETS

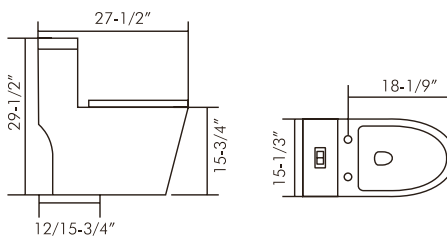


**BSN - 105**

**FEATURES**

- Ceramic material
- White gloss finish
- Chrome flush buttons
- Soft close seat included
- Single flush
- 1.06 - 1.6 GPF
- One piece construction
- Floor mount

TOILETS



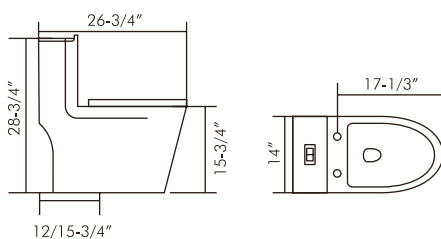
**BSN - 832**

**FEATURES**

- Ceramic material
- White gloss finish
- Chrome flush buttons
- Soft close seat included
- Dual flush
- 1.06 - 1.6 GPF
- One piece construction
- Floor mount



TOILETS

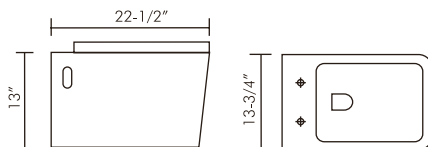


**BSN - 835**

**FEATURES**

- Ceramic material
- White gloss finish
- Chrome flush buttons
- Soft close seat included
- Dual flush
- 1.06 - 1.6 GPF
- One piece construction
- Floor mount

TOILETS

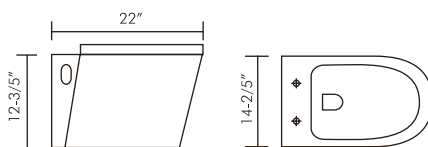


**BSN - CL11002A**

**FEATURES**

- Ceramic material
- White gloss finish
- Soft close seat included
- 1.06 - 1.6 GPF
- Wall Mount
- Concealed tank included (BSN-CL17010)

TOILETS

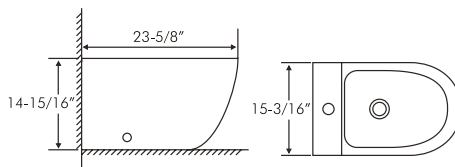


**BSN - CL11025**

**FEATURES**

- Ceramic material
- White gloss finish
- Soft close seat included
- 1.06 - 1.6 GPF
- Wall Mount
- Concealed tank included (BSN-CL17010)

BIDET

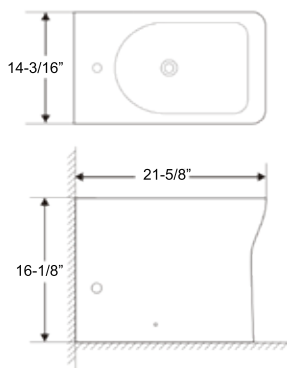


**BSN - 1101**

**FEATURES**

- Ceramic material
- White gloss finish
- Drain not included
- One piece construction
- Floor mount

BIDET

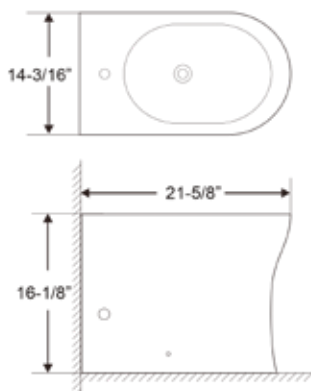


**BSN - CL12248F**

**FEATURES**

- Wall Hanging Bidet
- Ceramic material
- White finish
- Size: H 16-1/8" x W 14-3/16" x L 21-5/8"

BIDET

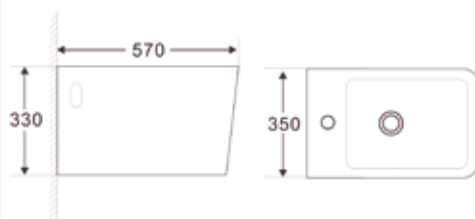


**BSN - CL12249F**

**FEATURES**

- Wall Hanging Bidet
- Ceramic material
- White finish
- Size: H 16-1/8" x W 14-3/16" x L 21-5/8"

BIDET



**BSN - CL11002B**

**FEATURES**

- Wall Hanging Bidet
- Ceramic material
- White finish
- Size: H 13" x W 13-3/4" x L 22-1/2"

**BSN - 43A**



**BSN - 3**



**BSN - 11-1**



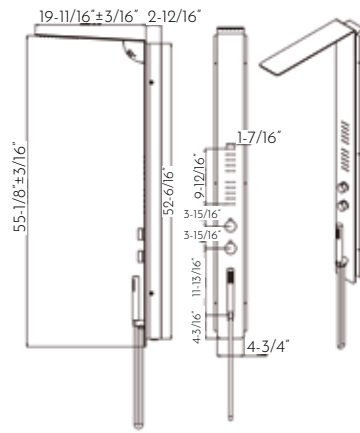


11

SHOWER PANELS  
SERIES

---

SHOWER PANELS

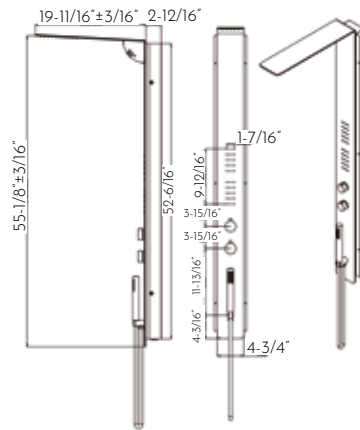


**DAX - O34**

**FEATURES**

- Stainless steel shower panel
- 3 functions
- Pressure balance valve
- UPC approved
- Hand shower
- 2 Body Jets
- Brushed stainless steel finish

SHOWER PANELS

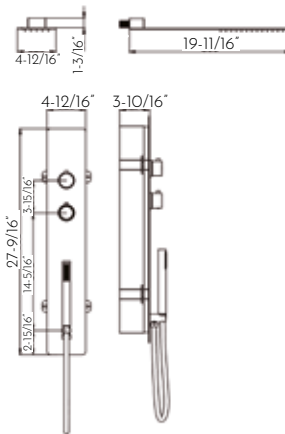


**DAX - O34-2**

**FEATURES**

- Stainless steel shower panel
- 3 functions
- 2 body jets
- UPC approved
- Hand shower
- Pressure balance valve
- Brushed stainless steel finish

SHOWER PANELS

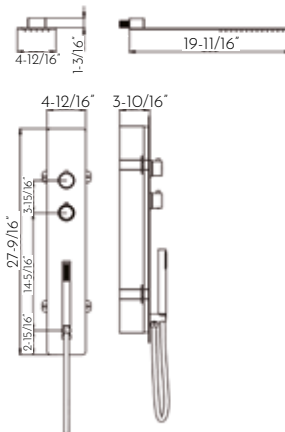


**DAX - O38-1**

**FEATURES**

- Stainless Steel shower system
- 2 functions
- UPC approved
- Hand shower
- Thermostatic Mixer
- Mirror finish

SHOWER PANELS

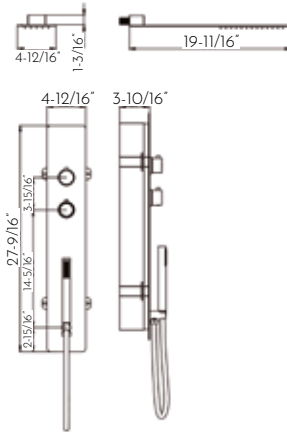


**DAX - O38-1MB**

**FEATURES**

- Stainless steel shower system
- 2 functions
- UPC approved
- Hand shower
- Thermostatic Mixer
- Matte Black finish

SHOWER PANELS

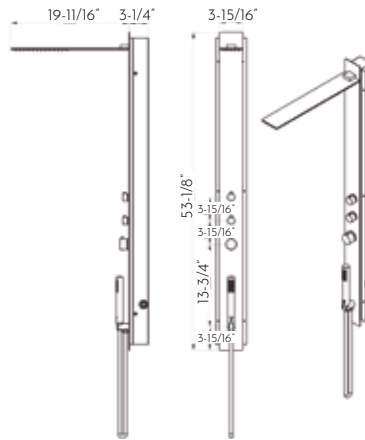


**DAX - O38-1MW**

**FEATURES**

- Stainless steel shower system
- 2 functions
- UPC approved
- Hand shower
- Thermostatic Mixer
- Matte white finish

SHOWER PANELS

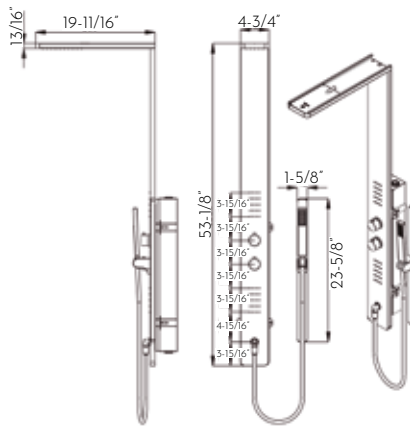


**DAX - O39**

**FEATURES**

- Stainless steel shower panel
- 2 functions
- UPC approved
- Hand shower
- Thermostatic mixer
- Mirror finish

SHOWER PANELS

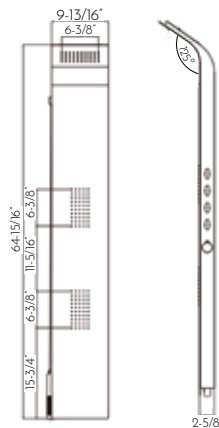


**DAX - O45-2R**

**FEATURES**

- Stainless steel shower panel
- Pressure balance valve
- 3 functions
- UPC approved
- Hand shower
- Brushed stainless steel finish

SHOWER PANELS



**DAX - 111PB-BN**

**FEATURES**

- Stainless steel shower panel
- 4 functions
- Pressure Balance valve
- Body jets
- UPC approved
- Hand shower







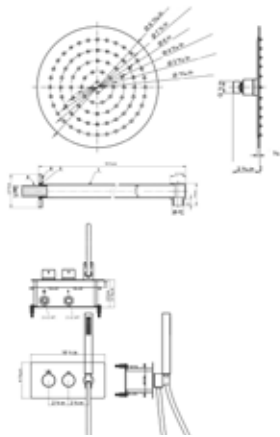


SHOWER SYSTEMS  
SERIES

12

---

SHOWER SYSTEMS

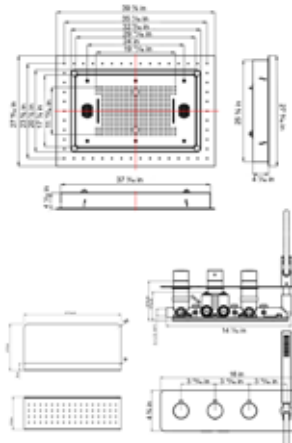


**DAX - 2002**

**FEATURES**

- Thermostatic shower with 3 functions
- Stainless steel shower head and hand shower
- Chrome finish
- Brass shower arm and hand shower holder
- UPC approved

SHOWER SYSTEMS

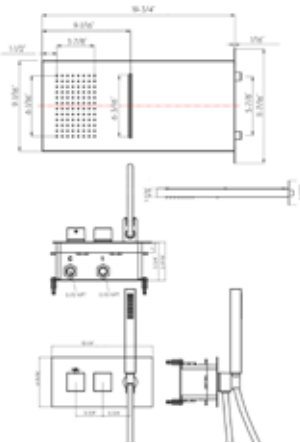


**DAX - 5002**

**FEATURES**

- Multi-function valve
- Ceiling mount shower head
- Rainshower
- Mist sprayer
- Waterfall
- Double rain
- Handshower Included
- LED lights
- Silicone water nozzles
- Ceramic cartridge
- Valve flow rate 10.6 GPM
- Shower head flow rate 5.5 GPM
- Handshower head flow rate 6.34 GPM
- Brass body
- Chrome finish

SHOWER SYSTEMS

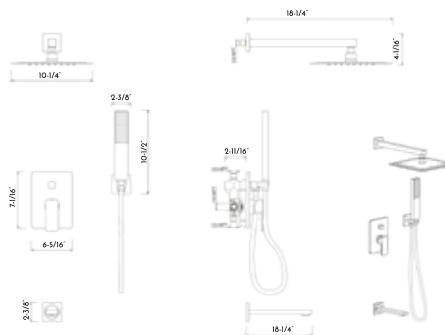


**DAX - 9003**

**FEATURES**

- Thermostatic shower system with 3 functions
- UPC approved
- Brass hand shower material
- chrome finish
- rectangular
- 304 Stainless Steel

SHOWER SYSTEMS



**DAX - 6563A**

**FEATURES**

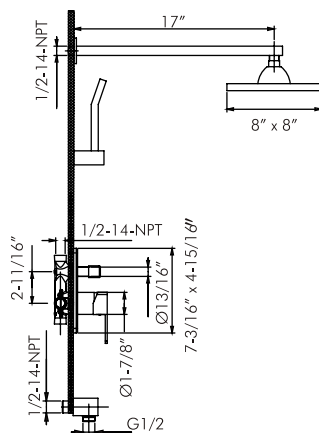
- 3 Way shower system
- Hand shower flow rate: 2.5 GPM
- Shower head flow rate: 2.5 GPM
- Rough-In valve flow rate: 9.5 GPM
- UPC approved
- Water lines and mounting parts included

**FINISH**

- DAX-6563A-BL Matt black
- DAX-6563A-BN Brushed nickel
- DAX-6563A-CR Chrome



SHOWER SYSTEMS



**DAX - 6813B**

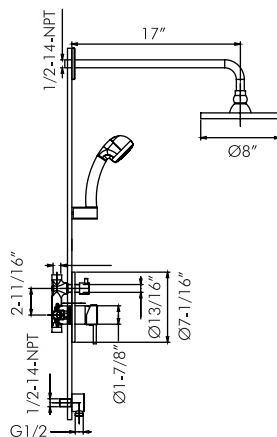
**FEATURES**

- Hand shower flow rate: 2.5 GPM
- Shower head flow rate: 2.5 GPM
- Rough-in valve flow rate: 9.5 GPM
- UPC Approved
- Water lines and mounting parts included
- Ceramic Cartridge
- Brass Body
- Pressure balance valve

**FINISH**

- DAX-6813B-BN Brushed nickel
- DAX-6813B-CR Chrome
- DAX-6813B-BG Brushed gold

SHOWER SYSTEMS



**DAX- 6813**

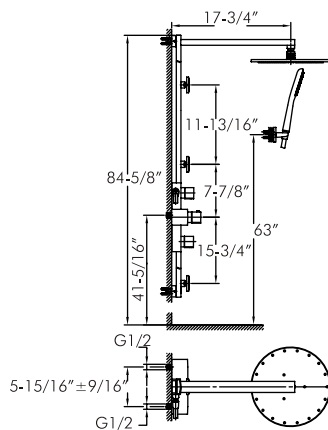
**FEATURES**

- Two function valve
- Wall mount shower head
- Rainshower
- Handshower included
- Silicone water nozzles
- Ceramic cartridge
- Shower head flow rate 2.5 GPM
- Handshower head flow rate 2.5 GPM
- Pressure balance valve
- Brass body

**FINISH**

- DAX-6813-BN Brushed nickel
- DAX-6813-CR Chrome

SHOWER SYSTEMS

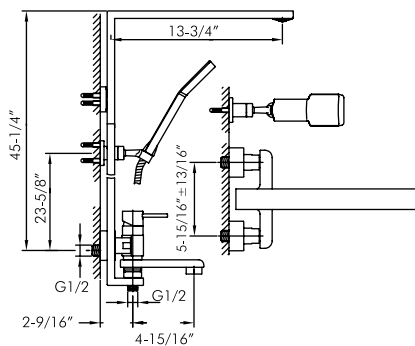


**DAX- FH8452-675**

**FEATURES**

- Three function valve
- Wall mount system
- Rainshower
- Body jets with independent control
- Handshower included
- Silicone water nozzles
- Ceramic cartridge
- Flow rate 2.0 GPM
- Thermostatic valve
- Anti-scalding protection
- Brass body
- Chrome finish

SHOWER SYSTEMS



**DAX- 8166C-CR**

**FEATURES**

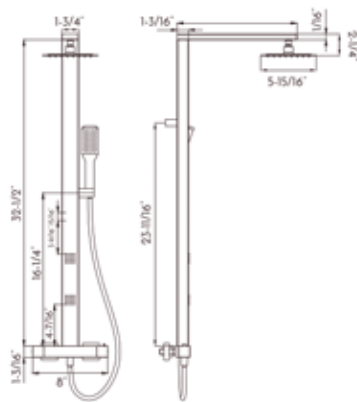
- Three function spout diverter
- Wall mount system
- Rainshower
- Tub filler
- Handshower included
- Ceramic cartridge
- Flow rate 2.0 GPM
- Anti-scalding protection
- Brass body

**FINISH**

- DAX -8166C-CR Chrome
- DAX -8166C-BL Matt black



SHOWER SYSTEMS

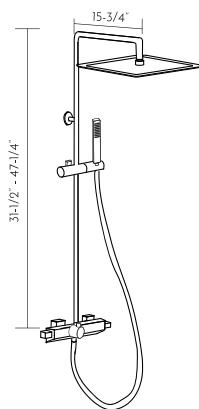


**DAX - 019-CR**

**FEATURES**

- Two functions
- Square
- Thermostatic shower column with
- 304 stainless steel
- UPC approved
- Handshower included
- 3 Bodsprays
- Brass body
- Chrome finish

SHOWER SYSTEMS



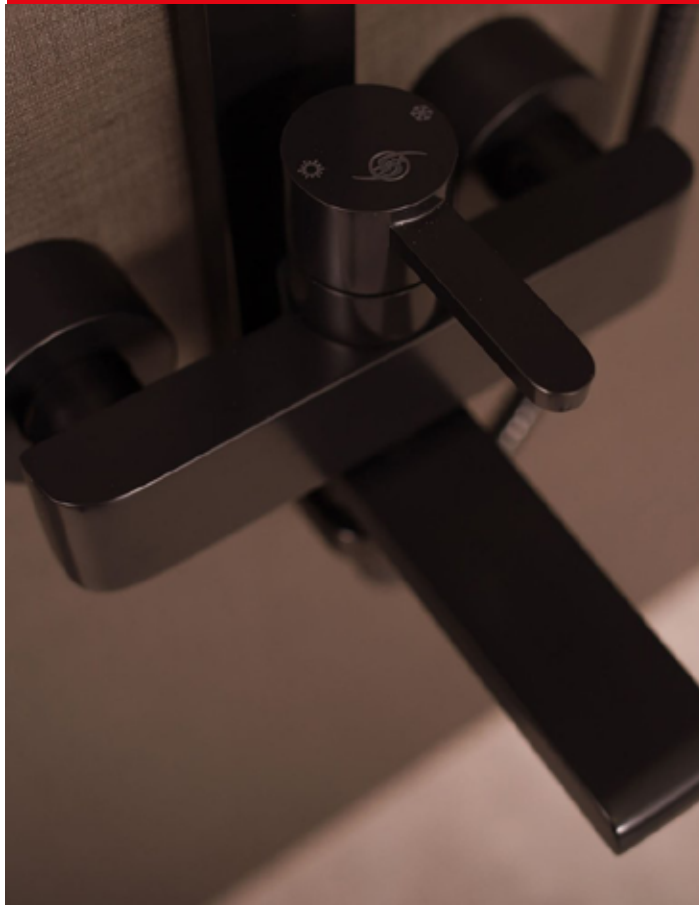
**DAX - 047**

**FEATURES**

- Shower column
- Flow rate control
- thermostatic shower column with 3 functions
- UPC approved
- Stainless steel
- Chrome finish

**DAX - 8166C-BL**

**DAX - 5002**

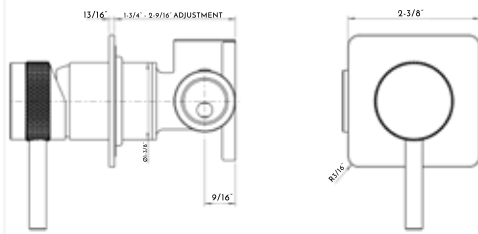




SHOWER VALVES  
SERIES 13

---

SHOWER VALVES

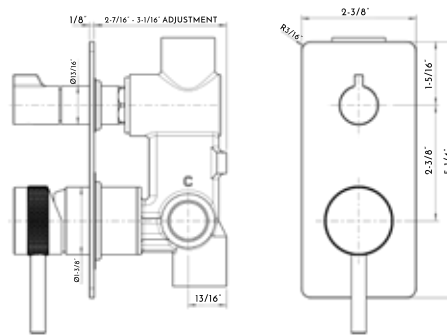
**DAX - 12541****FEATURES**

- Brass material
- Handle material: zinc alloy
- Installation type: concealed
- Rough-in valve flow rate: 4.2 Bar 6.12 GPM

**FINISH**

- DAX-12541-BL Matt black
- DAX-12541-CR Chrome

SHOWER VALVES

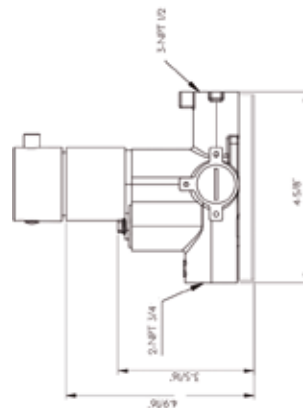
**DAX - 12542****FEATURES**

- Brass material
- Handle material: Zinc alloy
- Installation type: concealed
- Hand shower flow rate: 4.2 Bar 4.74 GPM
- Shower head flow rate: 4.2 Bar 4.91 GPM

**FINISH**

- DAX-12542-BL Matt black
- DAX-12542-CR Chrome

SHOWER VALVES

**DAX - 1050-RD****FEATURES**

- Concealed thermostatic mixer with 3 functions
- Brass Body
- 304 Stainless Steel Round Trim
- UPC Approved

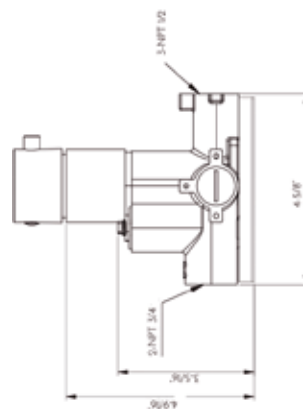
**FINISH**

- DAX-1050-RD-BN Brushed nickel
- DAX-1050-RD-BL Matt black
- DAX-1050-RD-CR Chrome

**INCLUDED**

- DAX-050-HP01-CR / BN / BL
- DAX-1050-CR / BN / BL

SHOWER VALVES

**DAX - 1050-SQ****FEATURES**

- Concealed Thermostatic Mixer with 3 functions
- Brass body
- 304 stainless steel square trim
- UPC approved
- Square handles

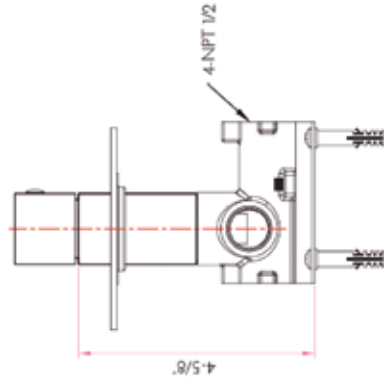
**FINISH**

- DAX - 1050-SQ-BL Matt black
- DAX - 1050-SQ-BN Brushed nickel
- DAX - 1050-SQ-CR Chrome

**INCLUDED**

- DAX-1050-HP03-CR
- DAX-1050-CR

SHOWER VALVES



**DAX - 1053-RD**

**FEATURES**

- 3 Way Shower Valve
- Brass Body
- 304 Stainless Steel Square Trim
- UPC Approved

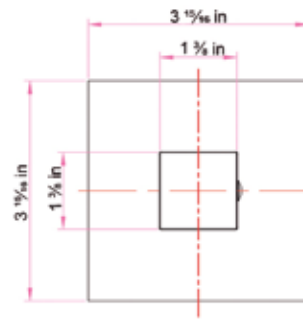
**FINISH**

- DAX-1053-RD-CR Chrome
- DAX-1053-RD-BN Brushed nickel
- DAX-1053-RD-BL Matt black

**INCLUDED**

- DAX-1053-HP03-CR / BN / BL
- DAX-1053-CR / BN / BL

SHOWER VALVES



**DAX - 1053-SQ**

**FEATURES**

- 3 Way Shower Valve
- Brass Body
- 304 Stainless Steel Square Trim
- UPC Approved

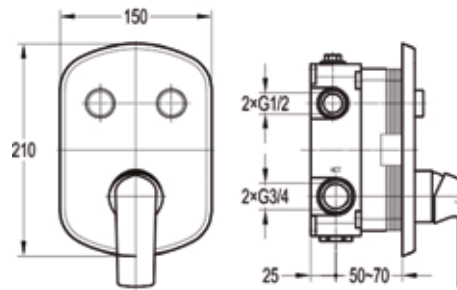
**FINISH**

- DAX-1053-SQ-CR Chrome
- DAX-1053-SQ-BN Brushed nickel
- DAX-1053-SQ-BL Matt black

**INCLUDED**

- DAX-1053-HP03-CR / BN / BL
- DAX-1053-CR / BN / BL

SHOWER VALVES

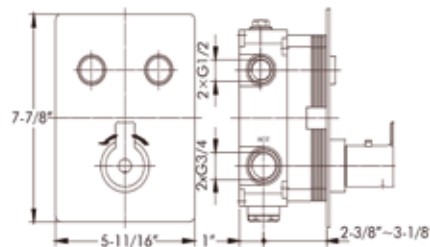


**DAX - 7303 - BN**

**FEATURES**

- Two functions
- Ceramic cartridge
- Brass body
- DAX click on system

SHOWER VALVES



**DAX - 7303A**

**FEATURES**

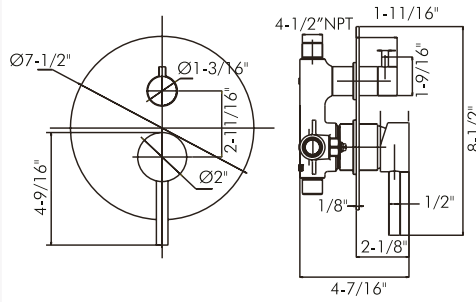
- Two functions
- Thermostatic
- Ceramic cartridge
- Brass body
- DAX click on System

**FEATURES**

- DAX-7303A-CR
- DAX-7303A-BN



SHOWER VALVES



**DAX - 6973**

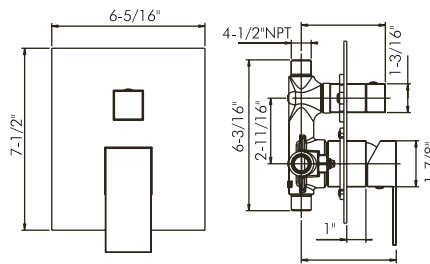
**FEATURES**

- Two functions
- Pressure balance
- Ceramic cartridge
- Brass body

**FINISH**

- DAX-6973-BN Brushed Nickel
- DAX-6973-CR Chrome

SHOWER VALVES



**DAX - 6973A**

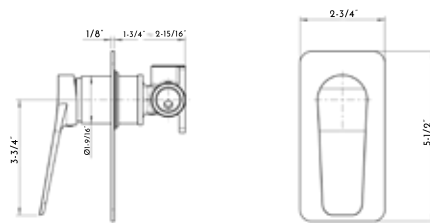
**FEATURES**

- Two functions
- Pressure balance
- Ceramic cartridge
- Brass body

**FINISH**

- DAX-6973-BN Brushed Nickel
- DAX-6973-CR Chrome

SHOWER VALVES



**DAX - 13555**

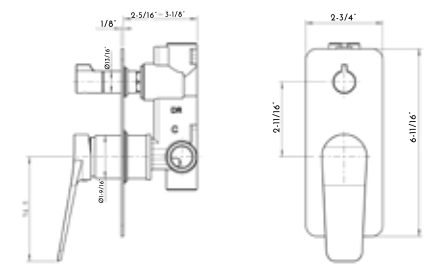
**FEATURES**

- Brass material
- Handle material: zinc alloy
- Installation type: concealed
- Rough-in valve flow rate: 4.2 Bar 6.7 GPM

**FINISH**

- DAX-13555-BL Matt black
- DAX-13555-CR Chrome

SHOWER VALVES



**DAX - 13556**

**FEATURES**

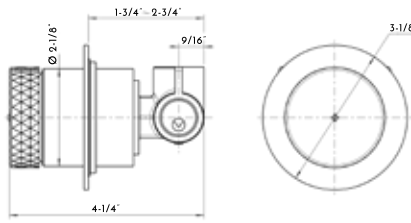
- Brass material
- Handle material: zinc alloy
- Installation type: concealed
- Hand shower flow rate: 4.2 Bar 5.01 GPM
- Shower head flow rate: 4.2 Bar 5.41 GPM

**FINISH**

- DAX-13556-BL Matte black
- DAX-13556-CR Chrome



SHOWER VALVES



**DAX - 13565**

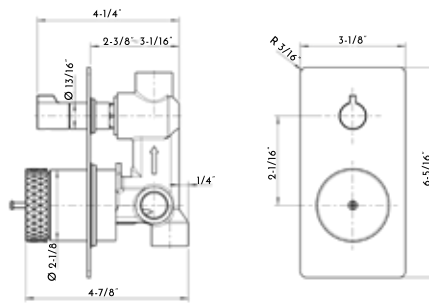
**FEATURES**

- Brass material
- Handle material: zinc alloy
- Installation type: concealed
- Rough-in valve flow rate: 4.2 Bar 7.6 GPM

**FINISH**

- DAX-13565-CR Chrome
- DAX-13565-BL Matt black

SHOWER VALVES



**DAX-65150**

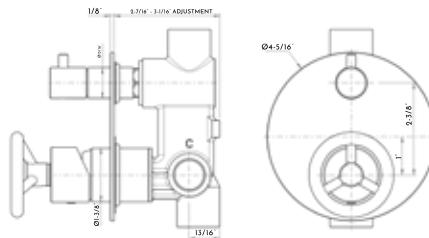
**FEATURES**

- Handle material: Zinc Alloy
- Hand shower flow rate: 4.2 Bar = 5.04 GPM
- Shower head flow rate: 4.2 Bar = 5.54 GPM

**FINISH**

- DAX-65150-CR Chrome
- DAX-65150-BL Matt black

SHOWER VALVES



**DAX-8030045**

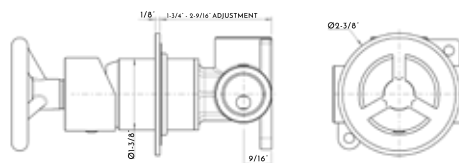
**FEATURES**

- Brass Material
- Shower Head flow rate: 4.2 Bar = 4.83 GPM
- Hand Shower flow rate: 4.2 Bar = 4.64 GPM
- Installation Type: Concealed

**FINISH**

- DAX-8030045-CR Chrome
- DAX-8030045-BL Matt black

SHOWER VALVES



**DAX-8030046**

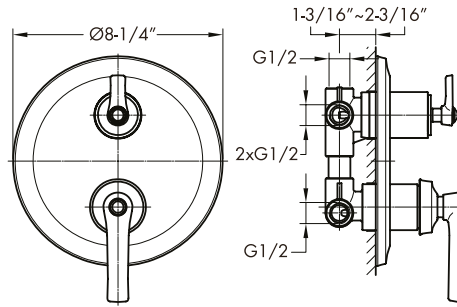
**FEATURES**

- Brass Material
- Rough in Valve flow rate: 4.2 Bar = 6.12 GPM
- Installation Type: Concealed

**FINISH**

- DAX-8030046-CR Chrome
- DAX-8030046-BL Matt black

SHOWER VALVES

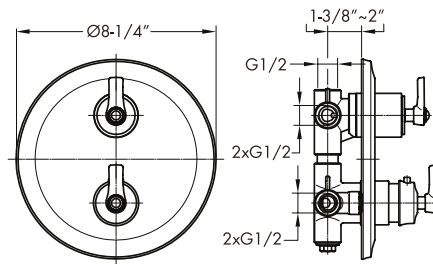


**DAX - 79903-CR**

**FEATURES**

- Three functions
- Ceramic cartridge
- Brass body
- Chrome finish

SHOWER VALVES

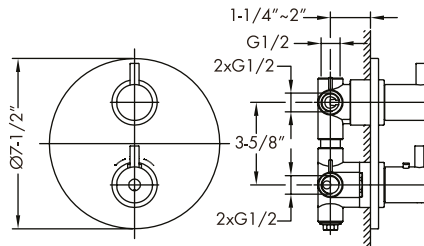


**DAX - 79909-CR**

**FEATURES**

- Three functions
- Thermostatic
- Ceramic cartridge
- Brass body
- Chrome finish

SHOWER VALVES



**DAX - 8302619**

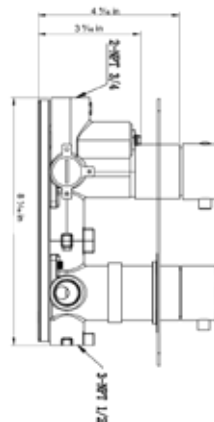
**FEATURES**

- Three functions
- Thermostatic
- Ceramic cartridge
- Brass body

**FINISH**

- DAX-8302619-BN Brushed nickel
- DAX-8302619-CR Chrome

SHOWER VALVES



**DAX - 1054-RD**

**FEATURES**

- Concealed thermostatic mixer with 2 / 3 functions
- Brass body
- 304 Stainless Steel Round Trim
- Round handles
- UPC Approved

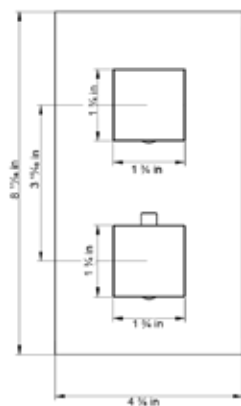
**FINISH**

- DAX-1054-RD-BL Matt black
- DAX-1054-RD-BN Brushed nickel
- DAX-1054-RD-CR Chrome

**INCLUDED**

- DAX-1054-01-RD-CR / BN / BL
- DAX-1054-CR / BN / BL

SHOWER VALVES



**DAX - 1054-SQ**

**FEATURES**

- Concealed thermostatic mixer with 2 / 3 functions
- Brass body
- 304 Stainless Steel Square Trim
- Square handles
- UPC Approved

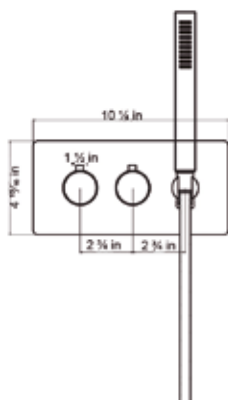
**FINISH**

- DAX-1054-SQ-CR Chrome
- DAX-1054-SQ-BN Brushed nickel
- DAX-1054-SQ-BL Matt black

**INCLUDED**

- DAX-1054-OI-RD-CR / BN / BL
- DAX-1054-CR / BN / BL

SHOWER VALVES



**DAX - 1004-RD**

**FEATURES**

- Concealed thermostatic mixer with 3 functions
- Brass body
- 304 Stainless Steel Trim Kit
- Round hand shower
- Round Handles
- UPC Approved

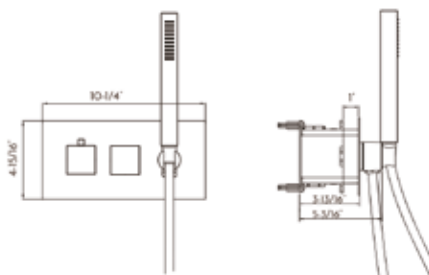
**FINISH**

- DAX-1004-RD-CR Chrome
- DAX-1004-RD-BN Brushed nickel

**INCLUDED**

- DAX-1004-OI-CR / BN / BL
- DAX-1004-CR / BN / BL

SHOWER VALVES



**DAX - 1004-SQ**

**FEATURES**

- Concealed thermostatic mixer with 3 functions
- Brass body
- 304 Stainless Steel Trim Kit
- Square hand shower
- Square Handles
- UPC Approved

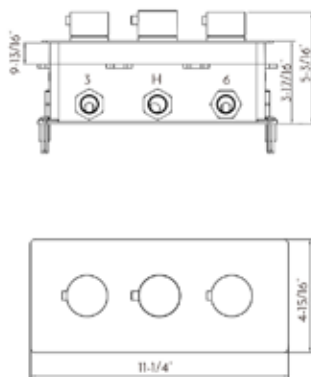
**FINISH**

- DAX-1004-SQ-CR Chrome

**INCLUDED**

- DAX-1004-O3-CR
- DAX-1004-CR

SHOWER VALVES



**DAX - 1058-RD**

**FEATURES**

- Concealed thermostatic mixer with 4 functions
- Brass body
- 304 Stainless Steel Round Trim
- Round handles
- UPC Approved
- Allow 2 functions work together

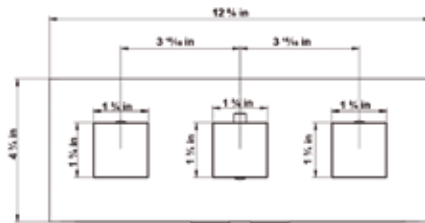
**FINISH**

- DAX-1058-RD-BN Brushed nickel
- DAX-1058-RD-CR Chrome

**INCLUDED**

- DAX-1058-OI-CR / BN
- DAX-1058-CR / BN

SHOWER VALVES



**DAX - 1058-SQ**

**FEATURES**

- Concealed thermostatic mixer with 4 functions
- Brass body
- 304 Stainless Steel Square Trim
- Square handles
- UPC Approved
- Allow 2 functions work together

**FINISH**

- DAX-1058-SQ-BN Brushed nickel
- DAX-1058-SQ-CR Chrome

**INCLUDED**

- DAX-1058-03-CR / BN
- DAX-1058-CR / BN

**DAX - XXXXXXXXXXXXXXX**





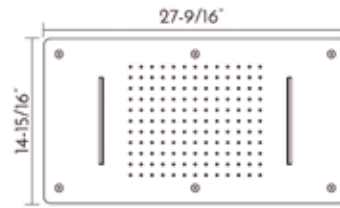


SHOWER HEADS  
SERIES 14

---



SHOWER HEADS

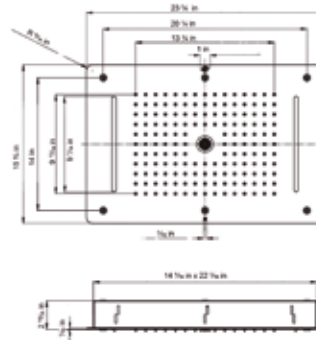
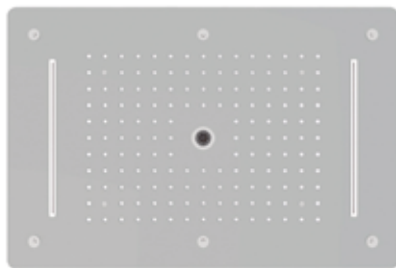


**DAX - 5017-CR**

**FEATURES**

- 2 Functions
- Stainless Steel 304
- Silicone Nozzles
- Ceiling mount
- Size W 27-9/16" x H 14-15/16" x D 1 5/8"
- Chrome finish

SHOWER HEADS

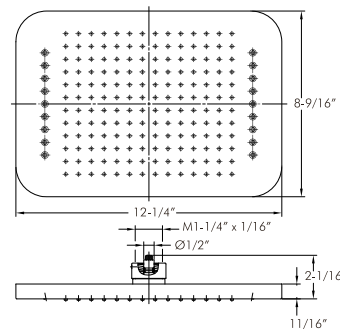


**DAX - 5049-CR**

**FEATURES**

- 3 functions
- Stainless Steel 304
- Silicone Nozzles
- Ceiling mount
- LED Light
- Size W 23-5/8" x H 15-3/4" x D 2 13/16"
- Chrome finish

SHOWER HEADS

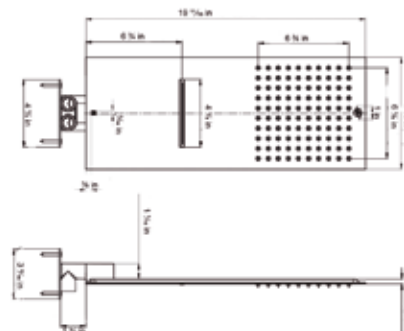


**DAX - B16-BN**

**FEATURES**

- 2 functions
- Brass body
- Silicone Nozzles
- Ceiling mount
- Size W 12-1/4" x H 8-9/16" x D 1 1/16"
- Shower arm included
- Brushed Nickel

SHOWER HEADS

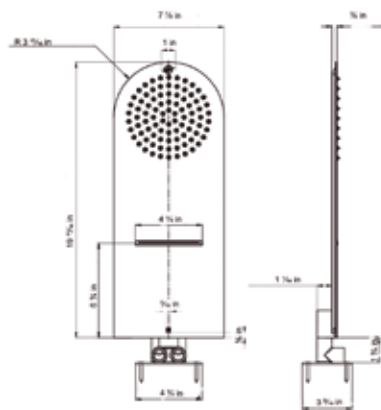


**DAX - 9007-CR**

**FEATURES**

- 2 functions
- 304 Stainless steel
- Silicone Nozzles
- UPC approved
- Size W 19 11/16" x H 7/8" x D 3/8"
- Chrome finish

SHOWER HEADS

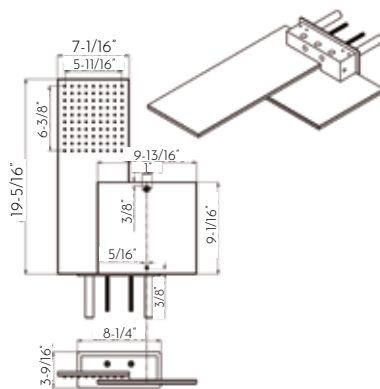


**DAX - 9008-CR**

**FEATURES**

- 2 functions
- 304 Stainless steel
- Silicone Nozzles
- Chrome finish
- UPC approved
- Size W 19 11/16" x H 7/8" x D 3/8"

SHOWER HEADS

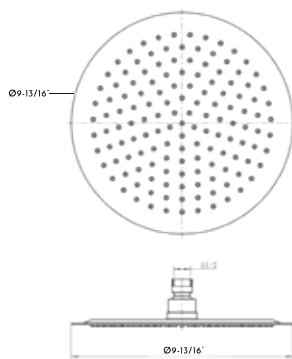
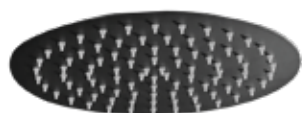


**DAX - 9026-CR**

**FEATURES**

- 2 functions
- 304 Stainless steel
- Silicone Nozzles
- Chrome finish
- UPC approved
- Rainshower W 19 5/16" x H 7" x D 3"
- Size W 19 11/16" x H 7/8" x D 3/8"

SHOWER HEADS

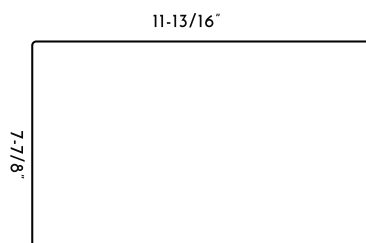
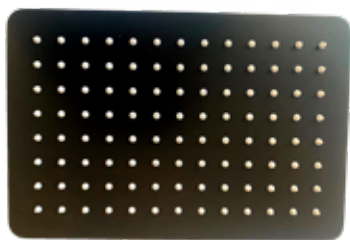


**DAX - 51020-BL**

**FEATURES**

- Brass material
- Matt black finish
- Size: 9-3/16"

SHOWER HEADS

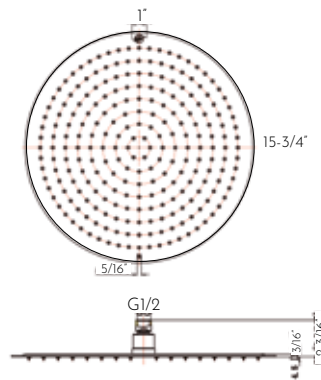
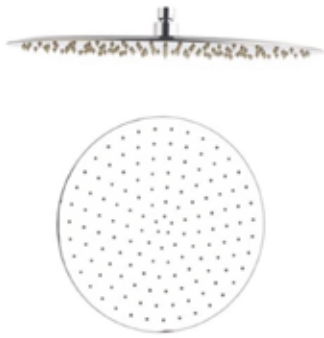


**DAX - C2011-BL**

**FEATURES**

- Silicone Nozzles
- Stainless steel body
- Size: 11-13/16" x 7-7/8"
- Shower arm not included (Available)
- Matte Black finish

SHOWER HEADS



**DAX-C2015**

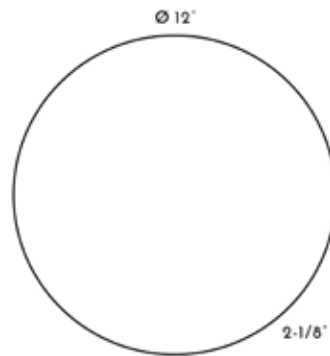
**FEATURES**

- Silicone Nozzles
- Stainless steel body
- Size  $\varnothing$  15-3/4" x D 2-1/8"
- Shower arm not included

**FINISH**

- DAX-C2015-CR Chrome
- DAX-C2015-BN Brushed Nickel

SHOWER HEADS



**DAX-C2019**

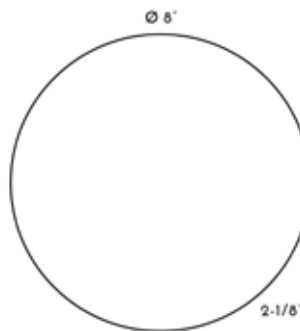
**FEATURES**

- Silicone Nozzles
- Stainless steel body
- Size  $\varnothing$  12" x D 2-1/8"
- Shower arm not included (Available)

**FINISH**

- DAX-C2019-CR Chrome
- DAX-C2019-BN Brushed nickel

SHOWER HEADS



**DAX-C2025**

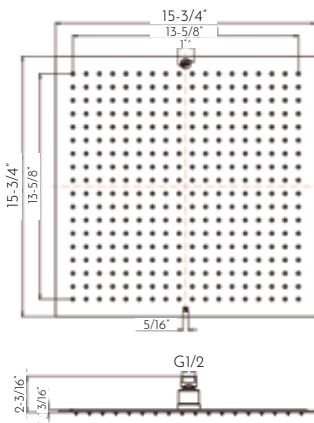
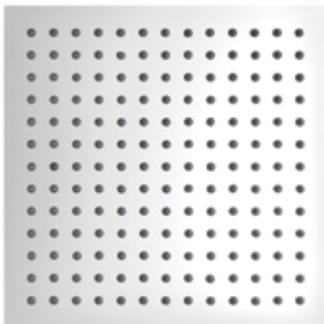
**FEATURES**

- Silicone Nozzles
- Stainless steel body
- Size  $\varnothing$  7-15/16" x D 2-1/8"
- Shower arm not included

**FINISH**

- D-1220-CR Chrome
- D-1220-BN Brushed Nickel

SHOWER HEADS



**DAX-C2035**

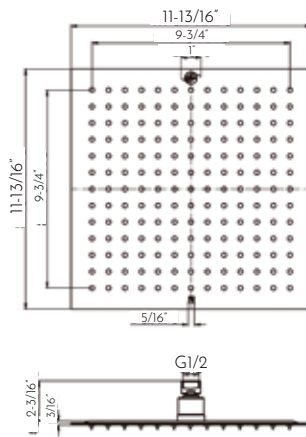
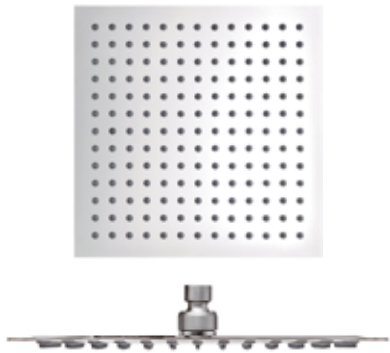
**FEATURES**

- Silicone Nozzles
- Stainless steel body
- Size 15-3/4" x H 15 3/4" x D 2-1/8"
- Shower arm not included

**FINISH**

- DAX-C2035-CR Chrome
- DAX-C2035-BN Brushed Nickel

SHOWER HEADS



**DAX - C2039**

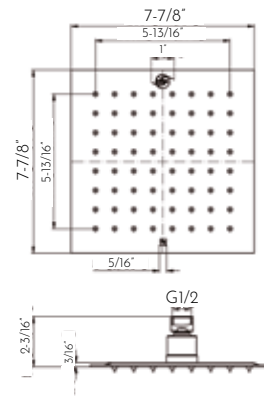
**FEATURES**

- Silicone Nozzles
- Stainless steel body
- Size 11-13/16" x H 11-13/16" x D 2-1/8"
- Shower arm not included

**FINISH**

- DAX-C2039-CR Chrome
- DAX-C2039-BN Brushed Nickel
- DAX-C2039-BL Matte Black

SHOWER HEADS



**DAX - C2041**

**FEATURES**

- Silicone Nozzles
- Stainless steel body
- Size 8" x H 8" x D 2-1/8"
- Shower arm not included

**FINISH**

- DAX-C2041-CR Chrome
- DAX-C2041-BN Brushed Nickel

**DAX - C2019**





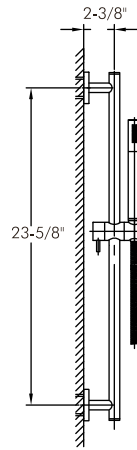


**15** HAND SHOWERS  
SERIES

---



HAND SHOWERS



**DAX - 9516**

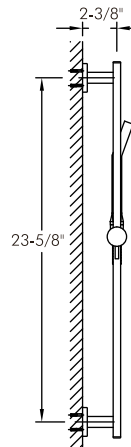
**FEATURES**

- Brass body
- Adjustable height
- Rail included
- Hose included
- Holder included
- Water connector not included

**FINISH**

- DAX-9516-CR Chrome

HAND SHOWERS



**DAX - 9523**

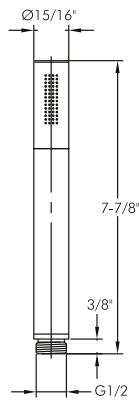
**FEATURES**

- Brass body
- Adjustable height
- Rail included
- Hose included
- Holder included
- Water connector not included

**FINISH**

- DAX-9523-CR Chrome

HAND SHOWERS



**DAX - 516**

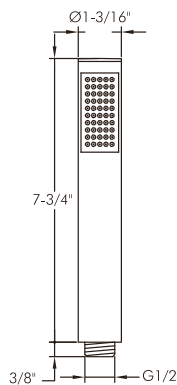
**FEATURES**

- Brass body
- Hose not included

**FINISH**

- DAX-516-CR Chrome

HAND SHOWERS



**DAX - 520**

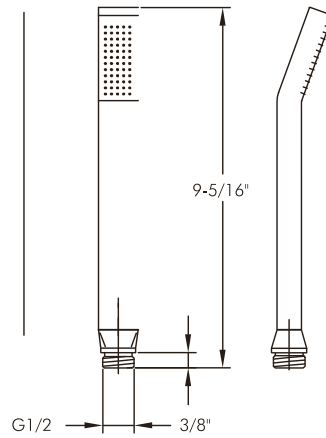
**FEATURES**

- ABS body
- Hose not included
- Silicone nozzles

**FINISH**

- DAX-520-CR Chrome

HAND SHOWERS



**DAX - 528**

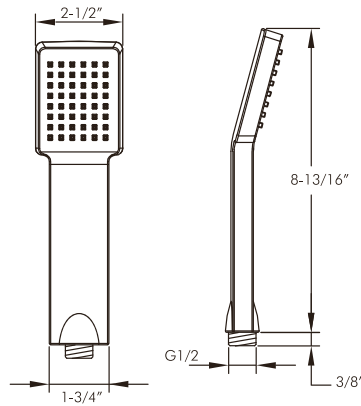
**FEATURES**

- Brass body
- Chrome finish
- Hose not included

**FINISH**

- DAX-528-CR Chrome

HAND SHOWERS



**DAX - 550**

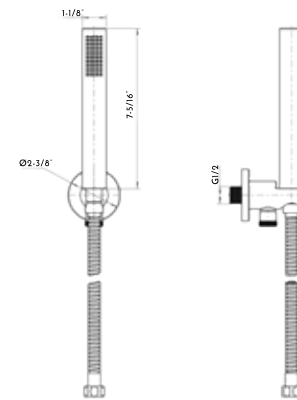
**FEATURES**

- ABS body
- Hose not included
- Silicone nozzles

**FINISH**

- DAX - 550-CR Chrome

HAND SHOWERS

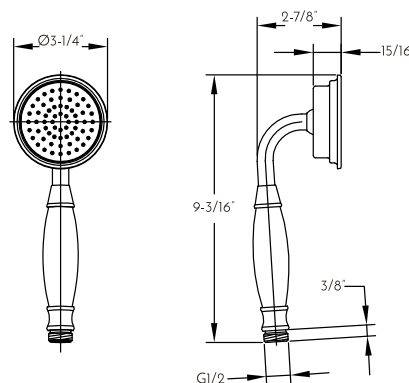


**DAX - 70009-BL**

**FEATURES**

- Matte Black finish
- Material: Assy
- Items included: Hand shower + Bracket + Shower hose
- Installation type: wall mounted
- Size: W 2-3/8" x H 7-5/16" x D 7-5/16"
- Silicone nozzles

HAND SHOWERS



**DAX - 2083A-CR**

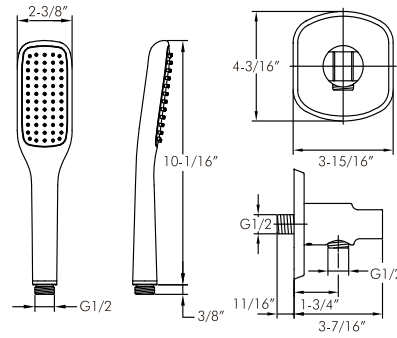
**FEATURES**

- Brass body
- Hose included
- Holder included
- Water connector not included
- Silicone nozzles

**FINISH**

- DAX-2083A-CR Chrome

HAND SHOWERS



**DAX - 8812**

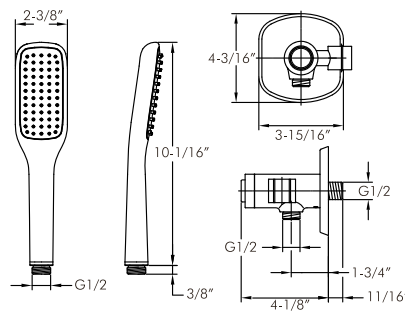
**FEATURES**

- ABS body
- Hose included
- Holder included
- Water connector not included
- Silicone nozzles

**FINISH**

- D-8812-CR Chrome
- D-8812-BN Brushed nickel

HAND SHOWERS



**DAX - 8817**

**FEATURES**

- ABS body
- Hose included
- Holder included
- Water connector not included
- Silicone nozzles
- DAX ClickOn® system

**FINISH**

- D-8817-CR Chrome
- D-8817-BN Brushed nickel

HAND SHOWERS



**DAX - C2009-BL**

**FEATURES**

- Brass body
- Matte Black finish
- Hose not included

**DAX - 516**

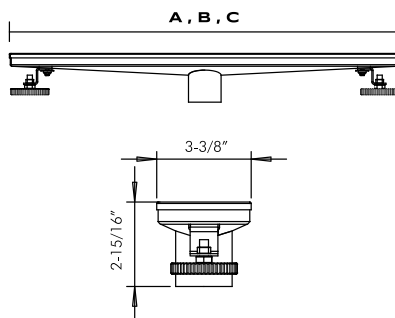




16 DRAIN SYSTEMS  
SERIES

---

DRAIN SYSTEMS



**DR - G06**

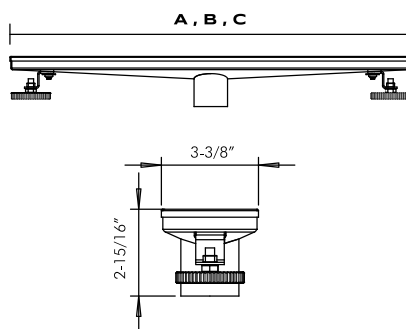
**FEATURES**

- Stainless steel body
- Brushed stainless steel finish

**SIZES**

- A. DR12-G06 W 12" x H 3-3/8" x D 2-15/16"
- B. DR24-G06 W 24" x H 3-3/8" x D 2-15/16"
- C. DR36-G06 W 36" x H 3-3/8" x D 2-15/16"
- D. DR48-G06 W 48" x H 3-3/8" x D 2-15/16"

DRAIN SYSTEMS



**DR - H01**

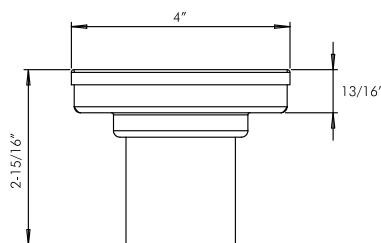
**FEATURES**

- Stainless steel body
- Brushed stainless steel finish

**SIZES**

- A. DR12-G06 W 12" x H 3-3/8" x D 2-15/16"
- B. DR24-H01 W 24" x H 3-3/8" x D 2-15/16"
- C. DR36-H01 W 36" x H 3-3/8" x D 2-15/16"
- D. DR48-H01 W 48" x H 3-3/8" x D 2-15/16"

DRAIN SYSTEMS



**ZS3S01**

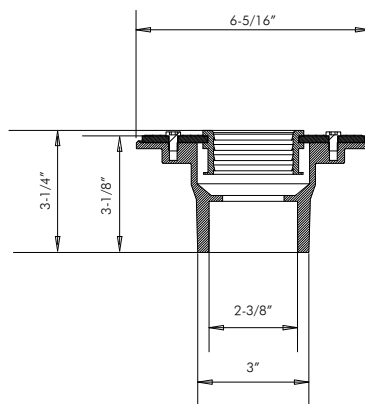
**FEATURES**

- Stainless steel body
- Size W4" x H 4" x D 2-15/16"

**FINISH**

- ZS3S01 BN Brushed nickel
- ZS3S01 CR Chrome

DRAIN SYSTEMS



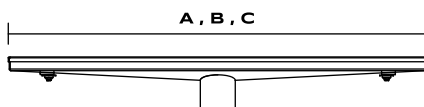
**RT2343**

**FEATURES**

- Stainless steel body
- Brushed stainless steel finish
- Size Ø 6-5/16" x D 3-1/4"



DRAIN SYSTEMS



**RT01**

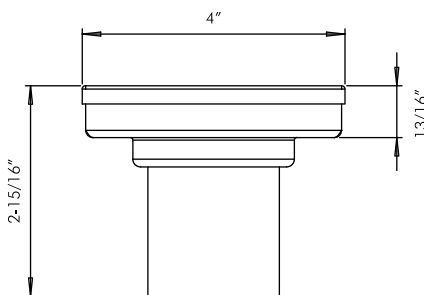
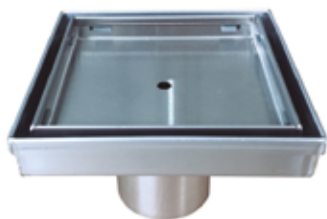
**FEATURES**

- Stainless steel body
- Brushed stainless steel finish

**SIZES**

- A. RT0124 W 24" X H 3-3/8" X D 2-15/16"
- B. RT0136 W 36" X H 3-3/8" X D 2-15/16"
- C. RT0148 W 48" X H 3-3/8" X D 2-15/16"

DRAIN SYSTEMS

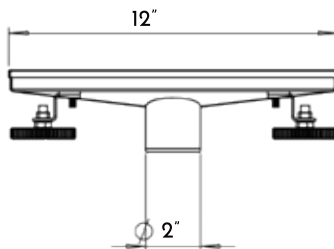


**RTZS3T01**

**FEATURES**

- Stainless steel body
- Brushed stainless steel finish
- Size W 4" x H 4" x D 2-15/16"

DRAIN SYSTEMS

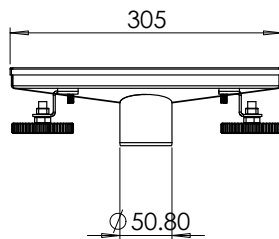


**DR12-G06**

**FEATURES**

- Stainless steel body
- Polished Finish
- Size W 12" x H 2-15/16" x D 13/16"
- Flow Capability: 45L/M
- Outside Diameter 2"
- cUPC Approved

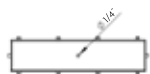
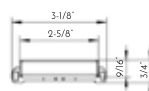
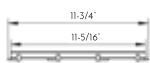
DRAIN SYSTEMS



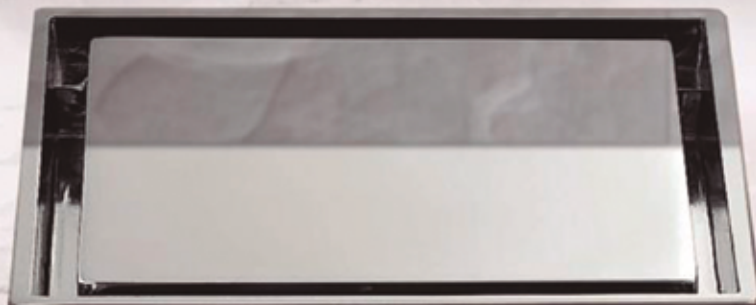
**DR12-H01**

**FEATURES**

- Stainless steel body
- Flow Capability: 45L/M
- Outside Diameter 2"
- cUPC Approved
- Stainless Steel Finish
- Size W 12" x H 2-15/16" x D 13/16"

**RT0112****FEATURES**

- Stainless steel body
- Brushed stainless steel finish
- Size 12" x 3-3/8"

**DAX - 3011-CR**



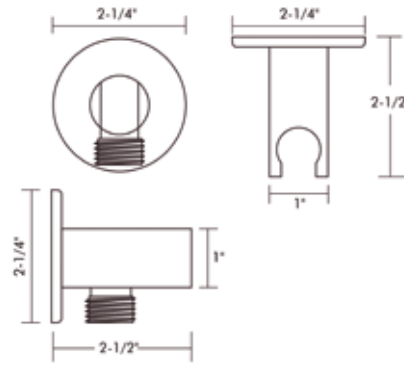
17 SHOWER ACCESORIES  
SERIES

---





SHOWER HOLDER



**D - B52**

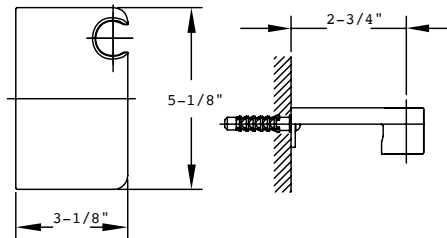
**FEATURES**

- Handshower holder
- Brass body
- Water connection
- UPC approved

**FINISH**

- D-B52-CR Chrome
- D-B52-BN Brushed nickel

SHOWER HOLDER



**DAX - 8816**

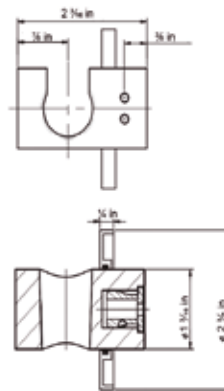
**FEATURES**

- Handshower holder
- Brass body

**FINISH**

- DAX-8816-CR Chrome

SHOWER HOLDER



**DAX - 044**

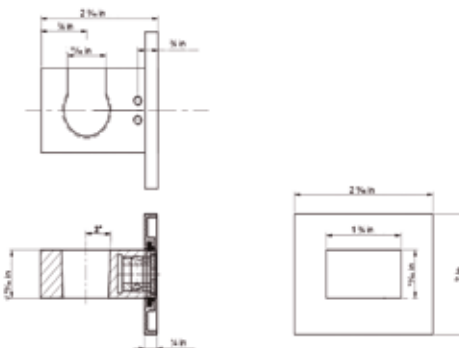
**FEATURES**

- Shower holder
- Brass body
- UPC approved

**FINISH**

- DAX-044-CR Chrome
- DAX-044-BN Brushed nickel

SHOWER HOLDER



**DAX - 080**

**FEATURES**

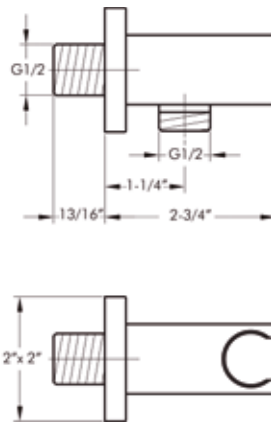
- Shower holder
- Brass body
- UPC approved

**FINISH**

- DAX-080-CR Chrome
- DAX-080-BN Brushed nickel



SHOWER HOLDER



**DAX - 8876**

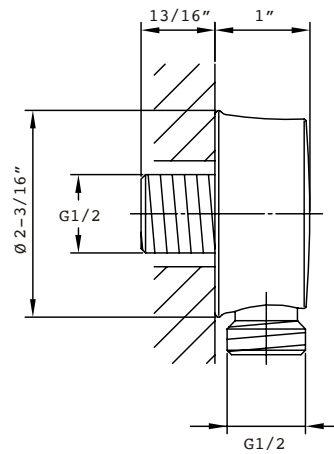
**FEATURES**

- Handshower holder
- Brass body

**FINISH**

- DAX-8876-CR Chrome

SHOWER ELBOWS



**DAX - 8810**

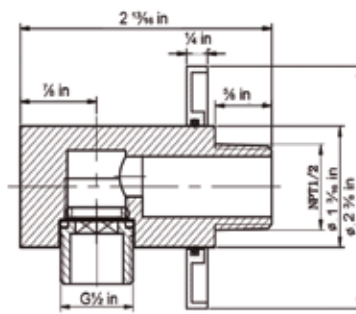
**FEATURES**

- Water line connector
- Brass body
- Water connection

**FINISH**

- DAX-8810-CR Chrome
- DAX-8810-ORB Oil rubbed bronze

SHOWER ELBOWS



**DAX - 043**

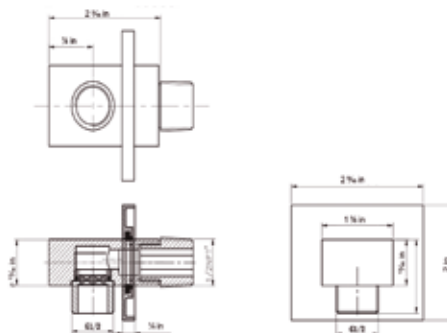
**FEATURES**

- Round hand shower holder
- Brass body
- Hose connector
- UPC approved

**FINISH**

- DAX-043-CR Chrome
- DAX-043-BN Brushed nickel

SHOWER ELBOWS



**DAX - 079**

**FEATURES**

- Square hand shower holder
- Brass body
- Hose connector
- UPC approved

**FINISH**

- DAX - 079-CR Chrome
- DAX - 079-BN Brushed nickel

SHOWER ARMS



**DAX - 1011-325**

**FEATURES**

- Square shaped
- Brass body
- Length 12"
- UPC approved

**FINISH**

- DAX-1011-325-CR Chrome
- DAX-1011-325-BN Brushed nickel

SHOWER ARMS



**DAX - 1011-375**

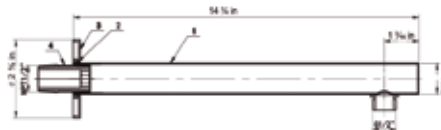
**FEATURES**

- Square shaped
- Brass body
- Length 15"
- UPC approved

**FINISH**

- DAX-1011-375-CR Chrome
- DAX-1011-375-BN Brushed nickel

SHOWER ARMS



**DAX - 1053-365**

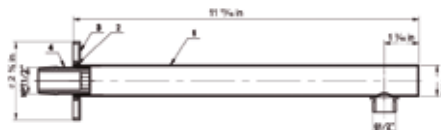
**FEATURES**

- Round shape
- Brass body
- Length 15"
- UPC approved

**FINISH**

- DAX-1053-365-CR Chrome
- DAX-1053-365-BN Brushed nickel

SHOWER ARMS



**DAX - 1053-300**

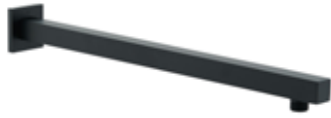
**FEATURES**

- Round shape
- Brass body
- Length 12"
- UPC approved

**FINISH**

- DAX-1053-300-CR Chrome
- DAX-1053-300-BN Brushed nickel

SHOWER ARMS



**DAX - 1011-450**

**FEATURES**

- Square Shaped
- Brass body
- Length 18"
- UPC approved

**FINISH**

- DAX-1011-450-BL Matt black
- DAX-1011-450-BN Brushed nickel
- DAX-1011-450-CR Chrome

SHOWER ARMS



**DAX - 1053-450**

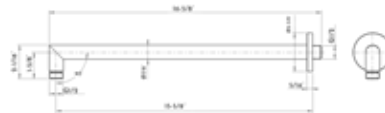
**FEATURES**

- Round shape
- Brass body
- Length 18"
- UPC approved

**FINISH**

- DAX-1053-450-BL Matt black
- DAX-1053-450-BN Brushed nickel
- DAX-1053-450-CR Chrome

SHOWER ARMS

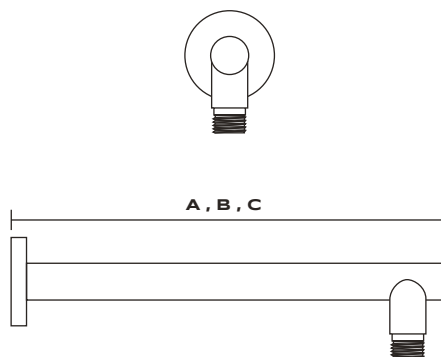


**DAX - 53002-BL**

**FEATURES**

- Brass Material
- Matte Black Finish
- Size 16.61" x 2.79" x 2.36"
- Installation: Wall Mount

SHOWER ARMS



**D - FO4**

**FEATURES**

- Shower arm
- Brass body

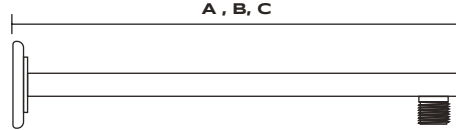
**SIZES**

- A. D-FO4-12 Length 12"
- B. D-FO4-15 Length 15"
- C. D-FO4-18 Length 18"

**FINISH**

- D-FO4-12-CR
- D-FO4-12-BN
- D-FO4-15-CR
- D-FO4-15-BN
- D-FO4-18-CR
- D-FO4-18-BN

SHOWER ARMS



**D - F20**

**FEATURES**

- Shower arm
- Brass body

**SIZES**

- A. D-F20-12 LENGTH 12"
- B. D-F20-15 LENGTH 15"
- C. D-F20-18 LENGTH 18"

**FINISH**

- D-F20-12-CR
- D-F20-12-BN
- D-F20-15-CR
- D-F20-18-CR
- D-F20-18-BN

SHOWER ARMS



**DAX - 1016-200**

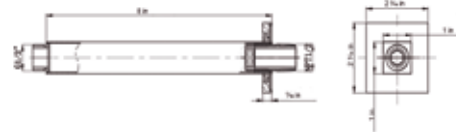
**FEATURES**

- Ceiling mount
- Round shape
- Brass body
- Length 12"
- UPC approved

**FINISH**

- DAX-1016-200-CR Chrome
- DAX-1016-200-BN Brushed nickel

SHOWER ARMS



**DAX - 1012-200**

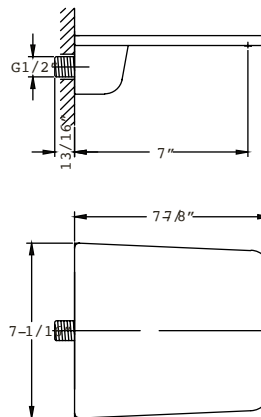
**FEATURES**

- Ceiling mount
- Square shaped
- Brass body
- Length 8"
- UPC approved

**FINISH**

- DAX-1012-200-CR Chrome
- DAX-1012-200-BN Brushed nickel

BATH TUB SPOUTS



**DAX - Z25-CR**

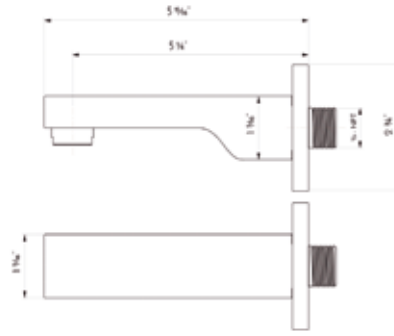
**FEATURES**

- Tub Filler Spout
- Brass body

**FINISH**

- DAX-Z25-CR Chrome

BATHTUB SPOUTS



**DAX - Z2552**

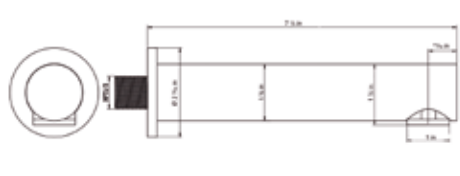
**FEATURES**

- Tub Filler Spout
- Brass body
- Cooper Alloy
- Square shape

**FINISH**

- DAX-Z2552-CR Chrome
- DAX-Z2552-BN Brushed nickel

BATHTUB SPOUTS



**DAX - 1027**

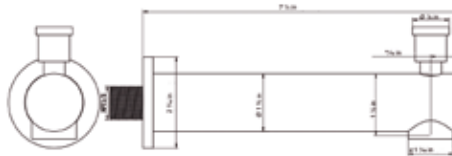
**FEATURES**

- Brass body
- UPC approved
- Round

**FINISH**

- DAX-1027- CR Chrome
- DAX-1027- BN Brushed nickel

BATHTUB SPOUTS



**DAX - 0127-1**

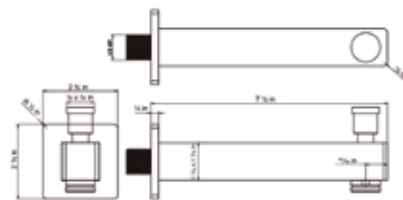
**FEATURES**

- With Diverter
- Brass body
- Round

**FINISH**

- DAX-0127-1-CR Chrome
- DAX-0127-1-BN Brushed nickel

BATHTUB SPOUTS



**DAX - 0130-1**

**FEATURES**

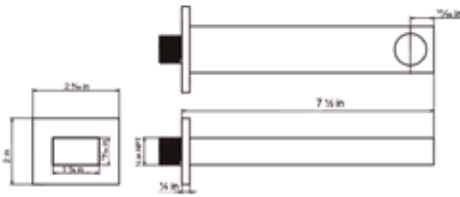
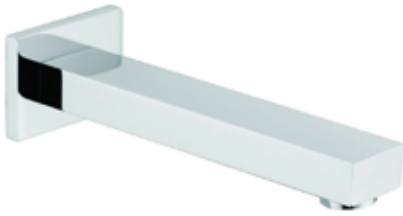
- With Diverter
- Brass body
- Square

**FINISH**

- DAX-0130-1-CR Chrome
- DAX-0130-1-BN Brushed nickel



BATHTUB SPOUTS

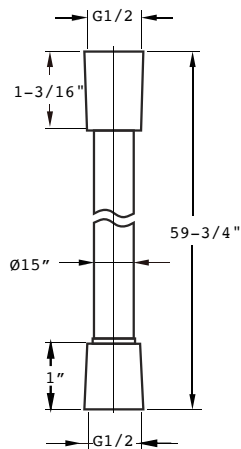
**DAX - 1032****FEATURES**

- Brass body
- UPC approved
- Square shape

**FINISH**

- DAX -1032-CR Chrome
- DAX -1032-BN Brushed nickel

HAND SHOWER HOSES

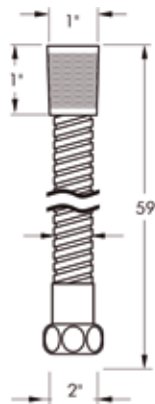
**D - 8861B****FEATURES**

- Handshower hose
- Rubber body
- Standard connection

**FINISH**

- D-8861B-CR Chrome

HAND SHOWER HOSES

**D - H34****FEATURES**

- Handshower hose
- Metal body
- Standard connection

**FINISH**

- D-H34-CR Chrome
- D-H34-BN Brushed nickel

**DAX - 1008**

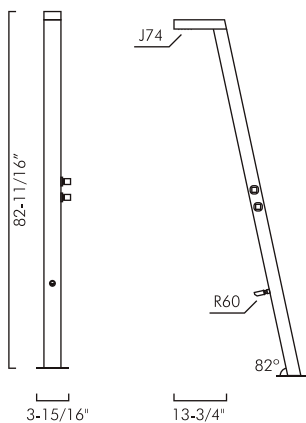


OUTDOOR SHOWERS  
SERIES

18

---

OUTDOOR SHOWERS



**DAX - S307**

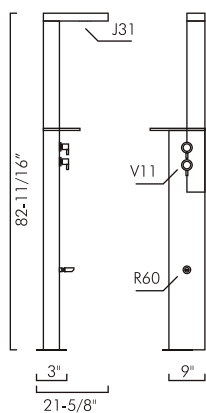
**FEATURES**

- Stainless steel body
- Rainshower
- Dual function
- Wooden base not included

**FINISH**

- DAX-S307-CR Chrome
- DAX-S307-BN Brushed nickel

OUTDOOR SHOWERS



**DAX - S308**

**FEATURES**

- Stainless steel body
- Rainshower
- Dual function
- Wooden base not included

**FINISH**

- DAX-S308-CR Chrome
- DAX-S308-BN Brushed nickel

**DAX - S308**





DAX - S308



The information contained in this catalog is to be used only as a guide to assist with product selection. All reasonable efforts have been made to ensure the accuracy of the information. However, DAX cannot be held responsible for any errors and/or omissions. DAX does not warrant the accuracy and reserves the right to make changes to the catalog and products at any time without notice.

[www.daxib.com](http://www.daxib.com)