



PRODUCT CATALOG | 2020

WELCOME
TO YOUR NEW HOME,
WELCOME TO **DAX**





DAX

We believe in open doors and doors to be opened..
We believe in a better life and a better future.

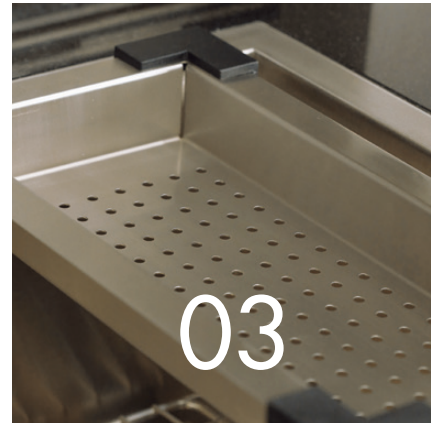
We have created a brand and a company that will
fulfill all your home design needs, with excellent quality
and permanent inventory for immediate response.

We will help you to have a better life by improving
the way you live it, bringing innovative and beautiful
designs into your home.

We want you to be a part of our family.



WELCOME TO YOUR NEW HOME
WELCOME TO **DAX**



01	KITCHEN FAUCETS	PAGE 06-14
04	BATHROOM ACCESSOIRES	PAGE 41-55
07	BATHROOM MIRRORS	PAGE 89-93

02	KITCHEN SINKS	PAGE 15-35
05	BATHROOM FAUCETS	PAGE 56-72
08	BATHTUBS	PAGE 94-97

03	KITCHEN ACCESSOIRES	PAGE 36-40
06	BATHROOM SINKS	PAGE 73-88
09	BATHTUB FILLERS	PAGE 98-101



10 TOILETS **PAGE**
102-106

13 SHOWER
VALVES **PAGE**
116-123

16 DRAIN
SYSTEMS **PAGE**
133-135

11 SHOWER
PANELS **PAGE**
107-110

14 SHOWER
HEADS **PAGE**
124-128

17 SHOWER
ACCESSOIRES **PAGE**
136-144

12 SHOWER
SYSTEMS **PAGE**
111-115

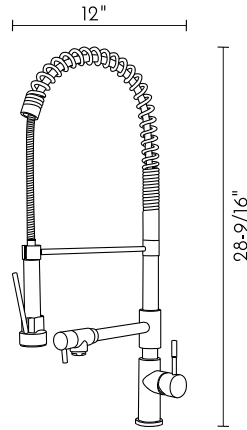
15 HAND
SHOWERS **PAGE**
129-132

18 OUTDOOR
SHOWERS **PAGE**
145-147



01 KITCHEN FAUCETS
SERIES

KITCHEN FAUCET

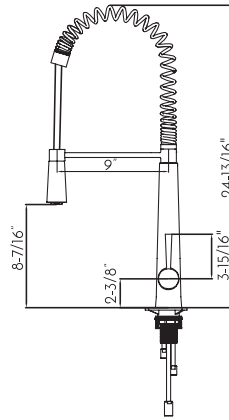


DAX - C001-05

FEATURES

- Pull down shower head
- Brushed stainless steel finish
- 304 stainless steel body casting
- Dual sprayer
- Stainless steel shower head
- Ceramic cartridge
- Flow rate 2.2 GPM
- Height 28-9/16"
- Installation hole 1-3/8"
- Water lines and mounting parts included

KITCHEN FAUCET

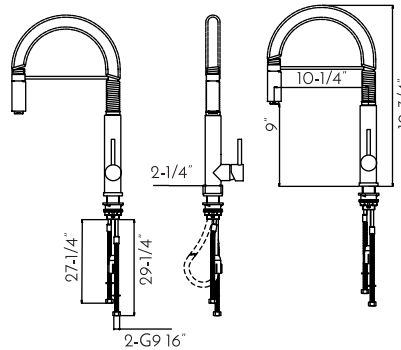


DAX - 001-03

FEATURES

- Pull down shower head
- Brushed stainless steel finish
- 304 stainless steel body casting
- Single sprayer
- Stainless steel shower head
- Ceramic cartridge
- Flow rate 2.2 GPM
- Height 24-13/16"
- Installation hole 1-3/8"
- Water lines and mounting parts included

KITCHEN FAUCET

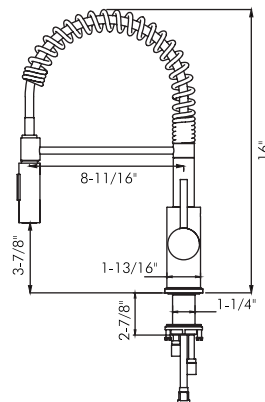


DAX - 2141

FEATURES

- Pull down shower head
- Brushed stainless steel finish
- 304 stainless steel body casting
- Single sprayer
- Stainless steel shower head
- Ceramic cartridge
- Flow rate 2.2 GPM
- Height 19-3/4"
- Installation hole 1-3/8"
- Water lines and mounting parts included

KITCHEN FAUCET

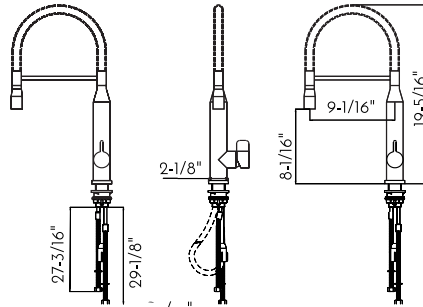


DAX - 6965C-BN

FEATURES

- Pull down shower head
- Brushed nickel finish
- Brass body casting
- Dual sprayer
- ABS shower head
- Ceramic cartridge
- Flow rate 1.5-2.2 GPM
- Height 16"
- Installation hole 1-3/8"
- Water lines and mounting parts included

KITCHEN FAUCET

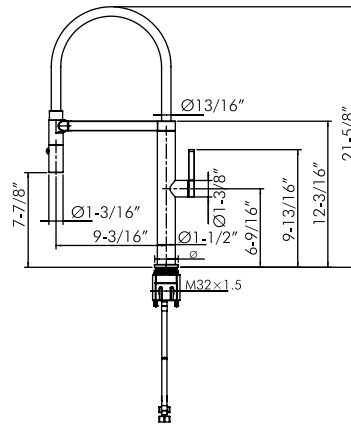


DAX - S1095A

FEATURES

- Pull down shower head
- Brushed stainless steel finish
- 304 stainless steel body casting
- Single sprayer
- Stainless steel shower head
- Ceramic cartridge
- Flow rate 2.2 GPM
- Height 19-5/16"
- Installation hole 1-3/8"
- Water lines and mounting parts included

KITCHEN FAUCET

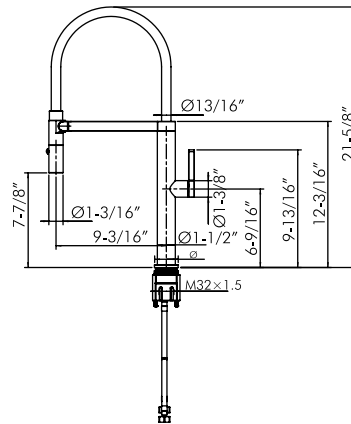


DAX - S2417-01

FEATURES

- Pull out shower head
- Gun metal finish
- Brass body casting
- Dual sprayer
- Stainless steel - ABS - Magnetic shower head
- Ceramic cartridge
- Flow rate 1.8 GPM
- Height 21-5/8"
- Installation hole 1-3/8"
- Water lines and mounting parts included

KITCHEN FAUCET

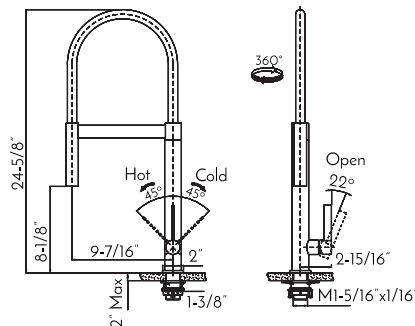


DAX - S2417-02

FEATURES

- Pull out shower head
- Black finish
- Brass body casting
- Dual sprayer
- Stainless steel
- ABS - Magnetic shower head
- Ceramic cartridge
- Flow rate 1.8 GPM
- Height 21-5/8"
- Installation hole 1-3/8"
- Water lines and mounting parts included

KITCHEN FAUCET

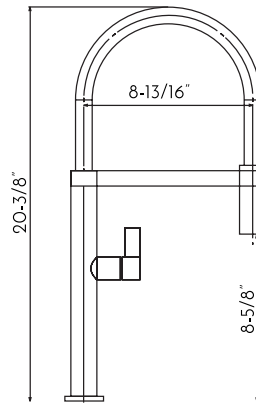


DAX - S1450

FEATURES

- Pull out shower head
- Brushed stainless steel finish
- 304 stainless steel body casting
- Dual sprayer
- Stainless steel shower head
- Ceramic cartridge
- Flow rate 2.2 GPM
- Height 24-5/8"
- Installation hole 1-3/8"
- Water lines and mounting parts included

KITCHEN FAUCET

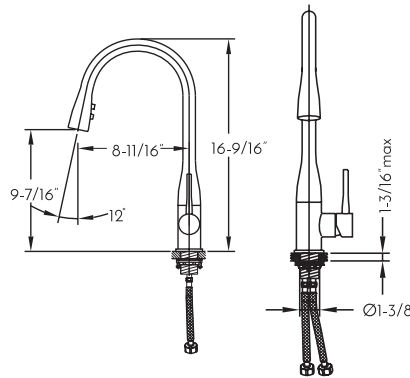


DAX - C107B

FEATURES

- Pull out shower head
- Brushed stainless steel finish
- 304 stainless steel body casting
- Single Sprayer
- Stainless steel shower head
- Black rubber neck
- Ceramic cartridge
- Flow rate 1.75 GPM
- Height 20-3/8"
- Installation hole 1-3/8"
- Water lines and mounting parts included

KITCHEN FAUCET

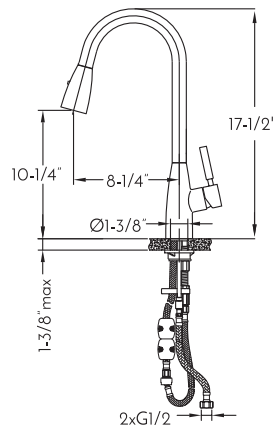


DAX - 8763

FEATURES

- Fixed shower head
- Chrome finish
- Brass body casting
- Dual sprayer
- Ceramic cartridge
- Flow rate 1.8 GPM
- Height 16-9/16"
- Installation hole 1-3/8"
- Water lines and mounting parts included

KITCHEN FAUCET

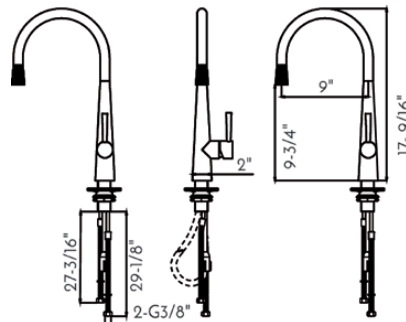


DAX - 8782

FEATURES

- Pull down shower head
- Chrome finish
- Brass body casting
- Dual sprayer
- ABS shower head
- Ceramic cartridge
- Flow rate 1.8 GPM
- Height 17-1/2"
- Installation hole 1-3/8"
- Water lines and mounting parts included

KITCHEN FAUCET

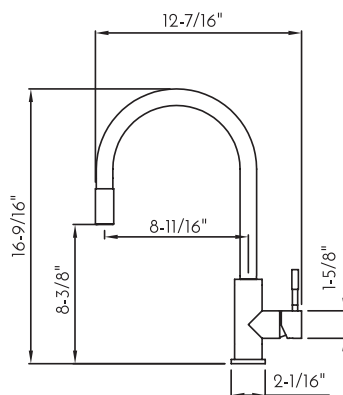


DAX - S1087P

FEATURES

- Pull down shower head
- Brushed stainless steel finish
- 304 stainless steel body casting
- Single sprayer
- Stainless steel shower head
- Ceramic cartridge
- Flow rate 2.2 GPM
- Height 17- 9/16"
- Installation hole 1-3/8"
- Water lines and mounting parts included

KITCHEN FAUCET

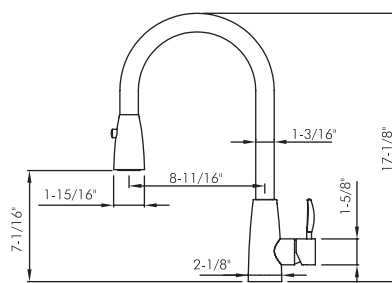
**DAX - 003-02****FEATURES**

- Pull down shower head
- 304 stainless steel body casting
- Single sprayer
- Stainless steel shower head
- Ceramic cartridge
- Flow rate 2.2 GPM
- Height 16-9/16"
- Installation hole 1-3/8"
- Water lines and mounting parts included

FINISH

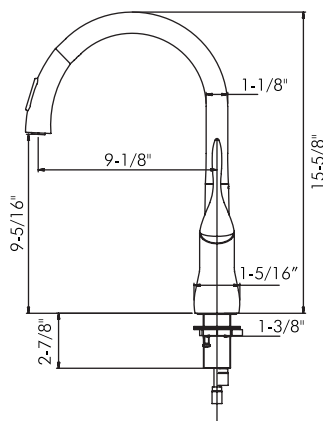
- DAX-003-02-BN Brushed stainless steel
- DAX-003-02-CR Chrome

KITCHEN FAUCET

**DAX - 002-02B****FEATURES**

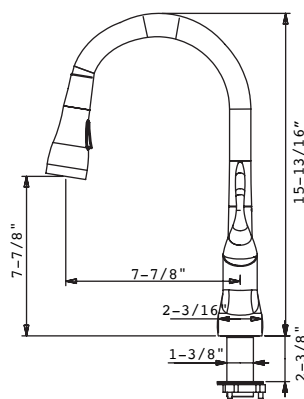
- Pull down shower head
- Brushed stainless steel finish
- 304 stainless steel body casting
- Dual sprayer
- Stainless steel shower head
- Ceramic cartridge
- Flow rate 2.2 GPM
- Height 17-1/8"
- Installation hole 1-3/8"
- Water lines and mounting parts included

KITCHEN FAUCET

**DAX - 6985E-BN****FEATURES**

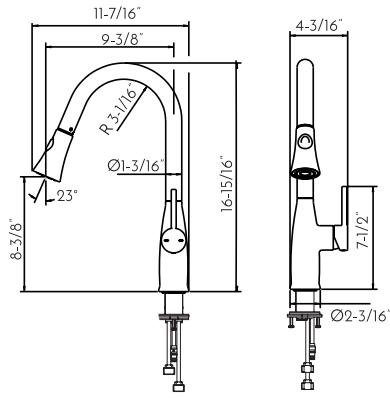
- Pull down shower head
- Brushed stainless steel finish
- 304 stainless steel body casting
- Single sprayer
- Stainless steel shower head
- Ceramic cartridge
- Flow rate 2.2 GPM
- Height 19-3/4"
- Installation hole 1-3/8"
- Water lines and mounting parts included

KITCHEN FAUCET

**DAX - 6995C-BN****FEATURES**

- Pull down shower head
- Brushed nickel finish
- Brass body casting
- Dual sprayer
- ABS shower head
- Ceramic cartridge
- Flow rate 1.5-2.2 GPM
- Height 15-13/16"
- Installation hole 1-3/8"
- Water lines and mounting parts included

KITCHEN FAUCET

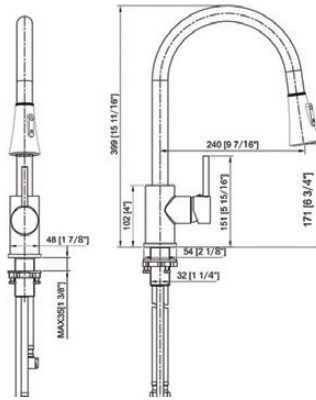


DAX - 8887

FEATURES

- Pull down shower head
- Brushed nickel finish
- Brass body casting
- Dual sprayer
- ABS shower head
- Ceramic cartridge
- Flow rate 1.8 GPM
- Height 16-15/16"
- Installation hole 1-3/8"
- Water lines and mounting parts included

KITCHEN FAUCET

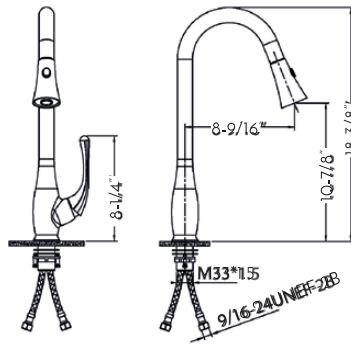


DAX - 8880

FEATURES

- Single handle pull down
- Brushed nickel finish
- 304 stainless steel body casting
- Dual sprayer
- Ceramic cartridge
- Flow rate 1.8 GPM
- Height 15-9/16"
- Installation hole 1-3/8"
- Water lines and mounting parts included
- UPC / ASME / ANSI / NSF approved
- Deck Mounted
- Drip free and spray dual control

KITCHEN FAUCET

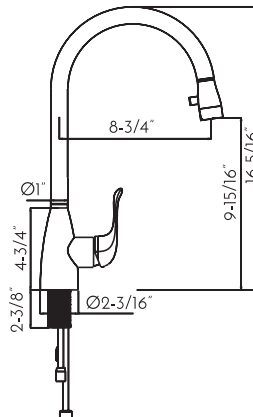


DAX - 70054

FEATURES

- Pull down shower head
- Brushed nickel finish
- Brass body casting
- Dual sprayer
- ABS shower head
- Ceramic cartridge
- Flow rate 2.2 GPM
- Height 18-3/8"
- Installation hole 1-3/8"
- Water lines and mounting parts included

KITCHEN FAUCET

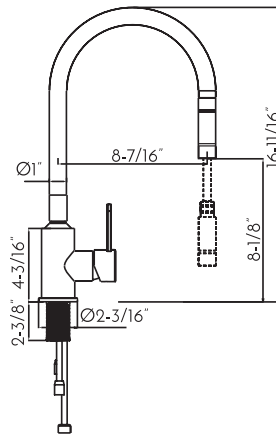


DAX - C17S

FEATURES

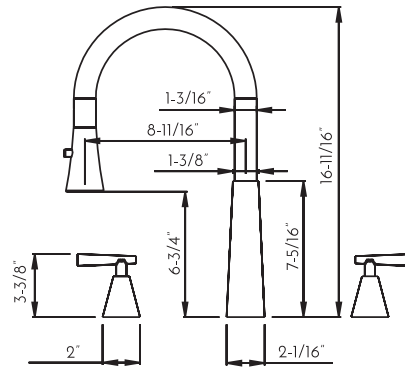
- Pull down shower head
- Brushed stainless steel finish
- 304 stainless steel body casting
- Single sprayer
- ABS shower head
- Ceramic cartridge
- Flow rate 2.2 GPM
- Height 16-5/16"
- Installation hole 1-3/8"
- Water lines and mounting parts included

KITCHEN FAUCET

**DAX - C20S****FEATURES**

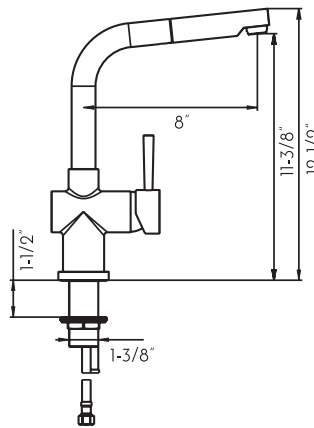
- Pull down shower head
- Brushed stainless steel finish
- 304 stainless steel body casting
- Single sprayer
- Stainless steel - ABS shower head
- Ceramic cartridge
- Flow rate 2.2 GPM
- Height 16-11/16"
- Installation hole 1-3/8"
- Water lines and mounting parts included

KITCHEN FAUCET

**DAX - C01302****FEATURES**

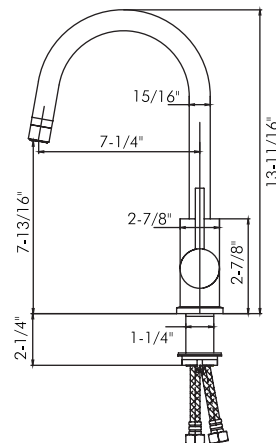
- Pull down shower head
- Brushed stainless steel finish
- 304 stainless steel body casting
- Dual sprayer
- ABS shower head
- Ceramic cartridge
- Flow rate 2.2 GPM
- Height 16-11/16"
- Installation hole 1-3/8"
- Water lines and mounting parts included

KITCHEN FAUCET

**DAX - 413****FEATURES**

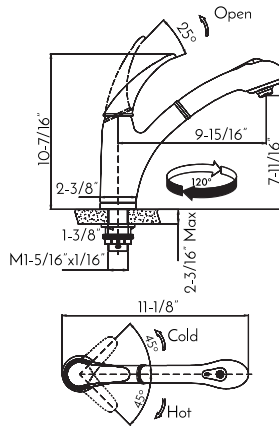
- Pull out shower head
- Brushed stainless steel finish
- Brass body casting
- Single sprayer
- Brass shower head
- Ceramic cartridge
- Flow rate 1.8 GPM
- Height 12-1/2"
- Installation hole 1-3/8"
- Water lines and mounting parts included

KITCHEN FAUCET

**DAX - 6515-BN****FEATURES**

- Fixed shower head
- Brushed nickel finish
- Brass body casting
- Single sprayer
- Ceramic cartridge
- Flow rate 1.5-2.2 GPM
- Height 13-11/16"
- Installation hole 1-3/8"
- Water lines and mounting parts included

KITCHEN FAUCET

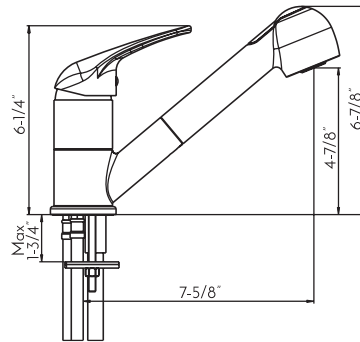


DAX - S1516

FEATURES

- Pull out shower head
- Brushed stainless steel finish
- 304 stainless steel body casting
- Dual sprayer
- Stainless steel shower head
- Ceramic cartridge
- Flow rate 2.2 GPM
- Height 10-7/16"
- Installation hole 1-3/8"
- Water lines and mounting parts included

KITCHEN FAUCET



DAX - 478

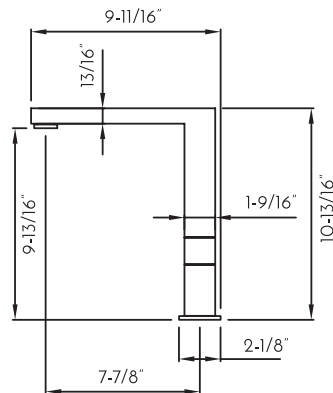
FEATURES

- Pull out shower head
- Brass body casting
- Dual sprayer
- ABS shower head
- Ceramic cartridge
- Flow rate 1.8 GPM
- Height 6-7/8"
- Installation hole 1-3/8"
- Water lines and mounting parts included

FINISH

- DAX-478-BN Brushed nickel
- DAX-478-CR Chrome

KITCHEN FAUCET

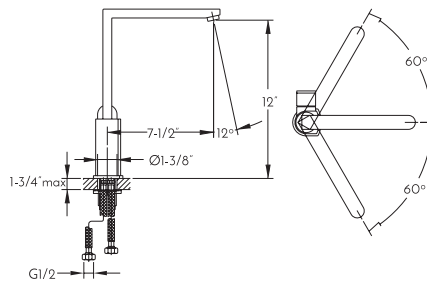


DAX - O17-O1

FEATURES

- Fixed shower head
- Brushed stainless steel finish
- 304 stainless steel body casting
- Single sprayer
- Ceramic cartridge
- Flow rate 2.2 GPM
- Height 10-13/16"
- Installation hole 1-3/8"
- Water lines and mounting parts included

KITCHEN FAUCET

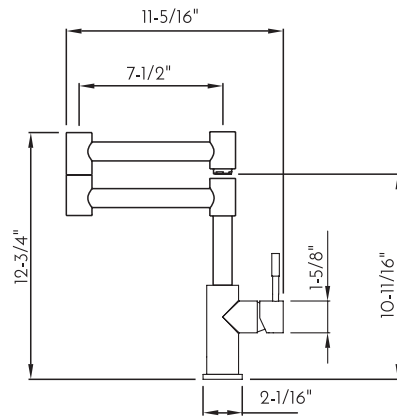


DAX - 8789

FEATURES

- Fixed shower head
- Chrome finish
- Brass body casting
- Single sprayer
- Ceramic cartridge
- Flow rate 1.8 GPM
- Height 12"
- Installation hole 1-3/8"
- Water lines and mounting parts included

KITCHEN FAUCET

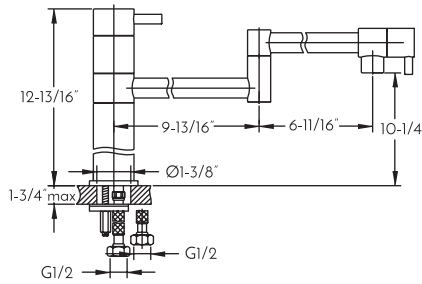


DAX - 006-01

FEATURES

- Fixed shower head
- Brushed stainless steel finish
- 304 stainless steel body casting
- Single sprayer
- Ceramic cartridge
- Flow rate 2.2 GPM
- Height 12-3/4"
- Installation hole 1-3/8"
- Water lines and mounting parts included

KITCHEN FAUCET

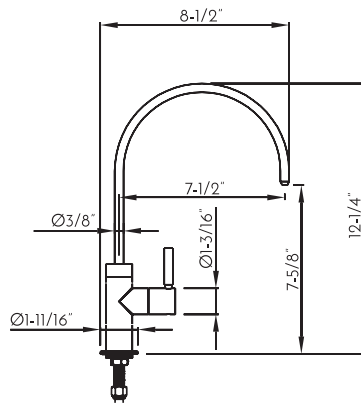


DAX - 8729

FEATURES

- Fixed shower head
- Chrome finish
- Brass body casting
- Single sprayer
- Ceramic cartridge
- Flow rate 1.8 GPM
- Height 12-13/16"
- Installation hole 1-3/8"
- Water lines and mounting parts included

KITCHEN FAUCET



DAX - PJ-01

FEATURES

- Fixed shower head
- Brushed stainless steel finish
- 304 stainless steel body casting
- Single sprayer
- Ceramic cartridge
- Height 12-1/4"
- Installation hole 9/16"

DAX - 017-01



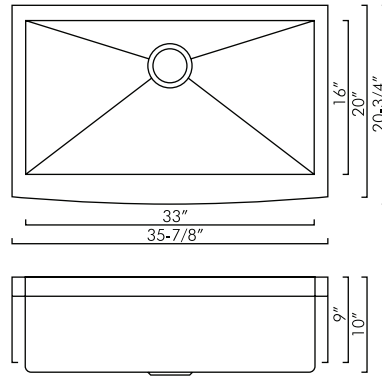
DAX - 002-02B





KITCHEN SINKS
SERIES 02

FARMHOUSE SINK

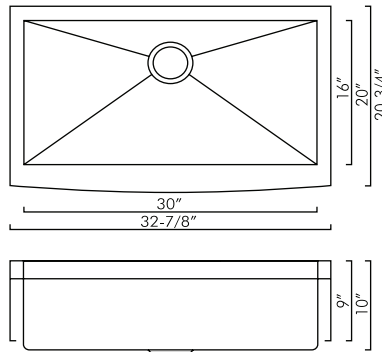
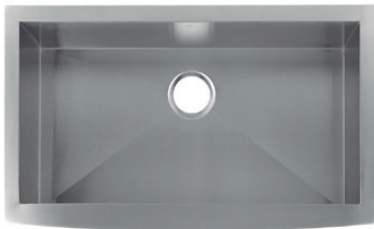
**DAX - SQ-3621****FEATURES**

- Farm house sink
- Handmade sink
- Omm radius corner
- Undermount or overmount
- 304 Stainless Steel
- 16 gauge
- Brushed Stainless Steel
- Over all size: 35-7/8" x 20-3/4" Depth: 10"
- Standard 3-1/2" drain opening
- Undercoated and sound pads
- Mounting clips and cutting template

ACCESSORIES

- Bottom grid included
- Stainless steel basket strainer (1 pc included)
- Stainless steel standard strainer not included (available)
- Round stainless steel colander included
- Square stainless steel colander not included (available)
- Grey silicone dish rack not included (available)

FARMHOUSE SINK

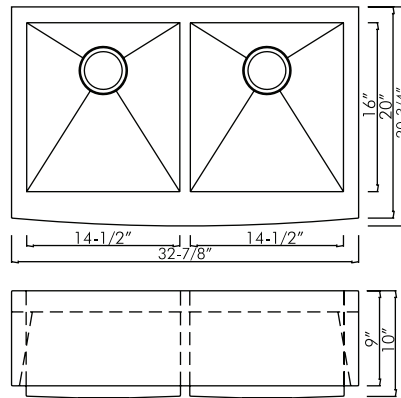
**DAX - SQ-3321****FEATURES**

- Farm house sink
- Handmade sink
- Omm radius corner
- Undermount or overmount
- 304 Stainless Steel
- 16 gauge
- Brushed Stainless Steel
- Over all size: 32-7/8" x 20-3/4" Depth: 10"
- Standard 3-1/2" drain opening
- Undercoated and sound pads
- Mounting clips and cutting template

ACCESSORIES

- Bottom grid included
- Stainless steel basket strainer (1 pc included)
- Stainless steel standard strainer not included (available)
- Round stainless steel colander included
- Square stainless steel colander not included (available)
- Grey silicone dish rack not included (available)

FARMHOUSE SINK

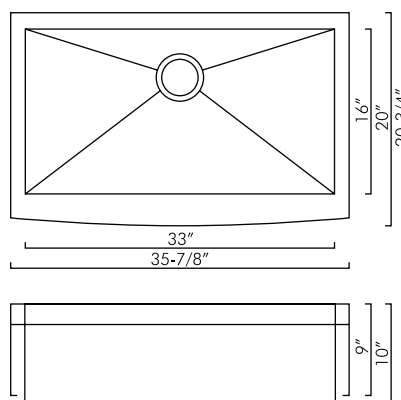
**DAX - SQ-3320F****FEATURES**

- Farm house sink
- Handmade sink
- Omm radius corner
- Undermount or overmount
- 304 Stainless Steel
- 16 gauge
- Brushed Stainless Steel
- Over all size: 32-7/8" x 20-3/4" Depth: 10"
- Standard 3-1/2" drain opening
- Undercoated and sound pads
- Mounting clips and cutting template

ACCESSORIES

- Bottom grid included
- Stainless steel basket strainer (1 pc included)
- Stainless steel standard strainer not included (available)
- Round stainless steel colander included
- Square stainless steel colander not included (available)
- Grey silicone dish rack not included (available)

FARMHOUSE SINK

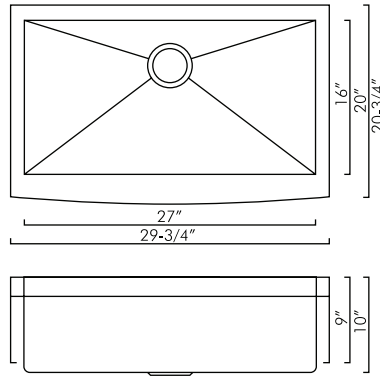
**KA - SQ-3621****FEATURES**

- Farm house sink
- Handmade sink
- Omm radius corner
- Undermount or overmount
- 304 Stainless Steel
- Apron: 16 gauge
- Bowl: 18 gauge
- Brushed Stainless Steel
- Over all size: 35-7/8" x 20-3/4" Depth: 10"
- Standard 3-1/2" drain opening
- Undercoated and sound pads
- Mounting clips and cutting template

ACCESSORIES

- Bottom grid not included (available)
- Stainless steel basket strainer not included (available)
- Stainless steel standard strainer not included (available)
- Square stainless steel colander not included (available)
- Grey silicone dish rack not included (available)

FARMHOUSE SINK



KA - SQ-3021

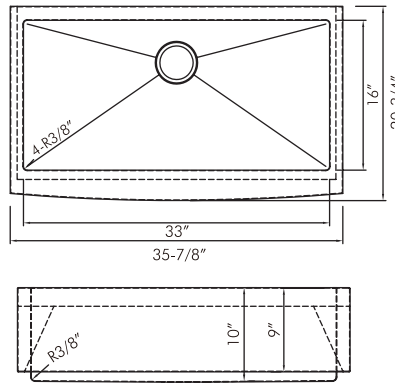
FEATURES

- Handmade sink
- 0mm radius corner
- Undermount or overmount
- 304 Stainless Steel
- Apron: 16 gauge
- Bowl: 18 gauge
- Brushed Stainless Steel
- Over all size: 29-3/4" x 20-3/4" Depth: 10"
- Standard 3-1/2" drain opening
- Undercoated and sound pads
- Mounting clips and cutting template

ACCESSORIES

- Bottom grid not included (available)
- Stainless steel basket strainer not included (available)
- Stainless steel standard strainer not included (available)
- Square stainless steel colander not included (available)
- Grey silicone dish rack not included (available)

FARMHOUSE SINK



DAX - 3621R10

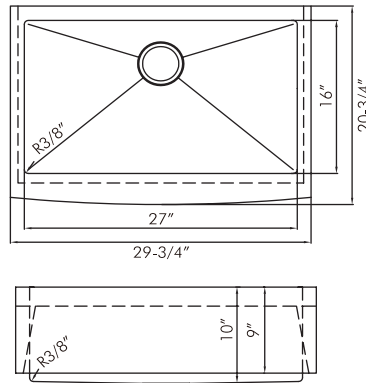
FEATURES

- Handmade sink
- 10 mm radius corner
- Undermount or overmount
- 304 Stainless Steel
- Apron: 16 gauge
- Bowl: 18 gauge
- Brushed Stainless Steel
- Over all size: 35-7/8" x 20-3/4" Depth: 10"
- Standard 3-1/2" drain opening
- Undercoated and sound pads
- Mounting clips and cutting template

ACCESSORIES

- Bottom grid included
- Stainless steel basket strainer included
- Stainless steel standard strainer included
- Square stainless steel colander included
- Grey silicone dish rack included

FARMHOUSE SINK



DAX - 3021R10

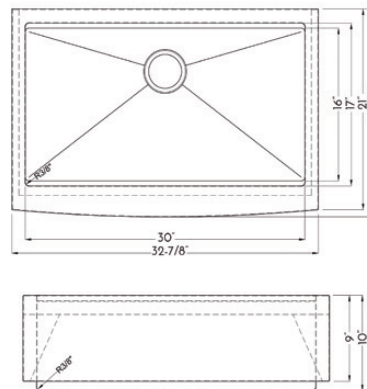
FEATURES

- Handmade sink
- 10 mm radius corner
- Undermount or overmount
- 304 Stainless Steel
- Apron: 16 gauge
- Bowl: 18 gauge
- Brushed Stainless Steel
- Over all size: 29-3/4" x 20-3/4" Depth: 10"
- Standard 3-1/2" drain opening
- Undercoated and sound pads
- Mounting clips and cutting template

ACCESSORIES

- Bottom grid included
- Stainless steel basket strainer included
- Stainless steel standard strainer included
- Square stainless steel colander included
- Grey silicone dish rack included

FARMHOUSE SINK



DAX - WS3321-R10

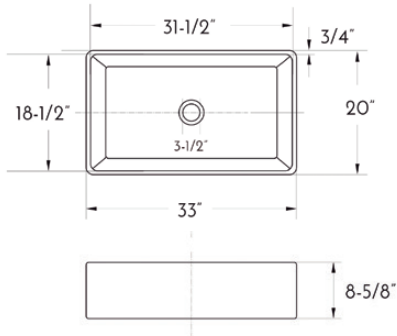
FEAUTRES

- Handmade sink
- Apron
- 304 Stainless Steel
- 16 gauge
- Brushed finish
- Over all size: 32-7/8" x 21-3/4" x 10"
- Standard 3-1/2" drain opening
- Undercoated and sound pads
- Mounting clips and cutting template

ACCESSORIES

- Stainless Steel Basket strainer included
- Stainless Steel Bottom grid included
- Basing Rack included
- Wooden cutting board included
- Colander included

CERAMIC APRON SINK



DAX - C3320

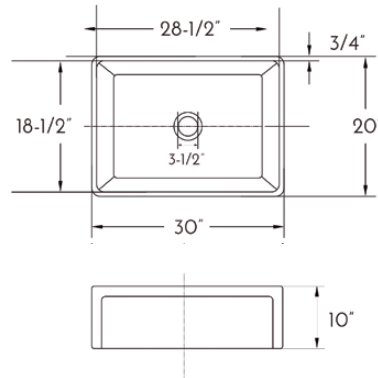
FEATURES

- 10mm radius corner
- Undermount or overmount
- Ceramic farmhouse sink
- Reversible apron
- White Finish
- Over all size 33" x 20" Depth: 8 5/8"
- Standard 3 1/2" drain opening

ACCESSORIES

- Ceramic basket strainer not included (available)

CERAMIC APRON SINK



DAX - C3020

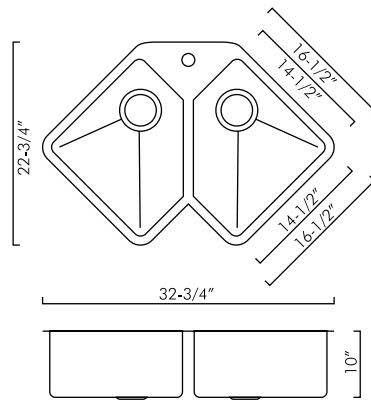
FEATURES

- 10mm radius corner
- Undermount or overmount
- Ceramic farmhouse sink
- Reversible apron
- White Finish
- Over all size 30" x 20" Depth: 10"
- Standard 3 1/2" drain opening

ACCESSORIES

- Ceramic basket strainer not included (available)

CORNER SINKS



DAX - 347

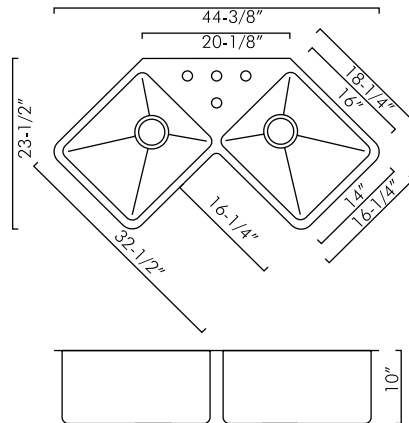
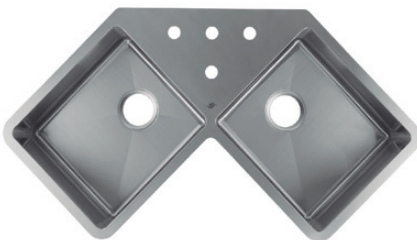
FEATURES

- Handmade sink
- 15mm radius corner
- Undermount
- 304 Stainless Steel
- 16 gauge
- Brushed Stainless Steel
- Over all size: 32-3/4" x 22-3/4" Depth: 10"
- Standard 3-1/2" drain opening
- Undercoated and sound pads
- Mounting clips and cutting template

ACCESSORIES

- Bottom grid included
- Stainless steel basket strainer (1 pc included)
- Stainless steel standard strainer not included (available)
- Round stainless steel colander included
- Grey silicone dish rack not included (available)

CORNER SINKS



DAX - 334

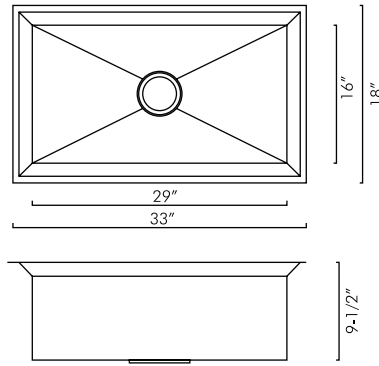
FEATURES

- Handmade sink
- 15mm radius corner
- Undermount
- 304 Stainless Steel
- 16 gauge
- Brushed Stainless Steel
- Over all size: 44-3/8" x 23-1/2" Depth: 10"
- Standard 3-1/2" drain opening
- Undercoated and sound pads

ACCESSORIES

- Bottom grid included
- Stainless steel basket strainer (1 pc included)
- Stainless steel standard strainer not included (available)
- Round stainless steel colander included
- Grey silicone dish rack not included (available)

UNDERMOUNT SINK



DAX - SQ-3318

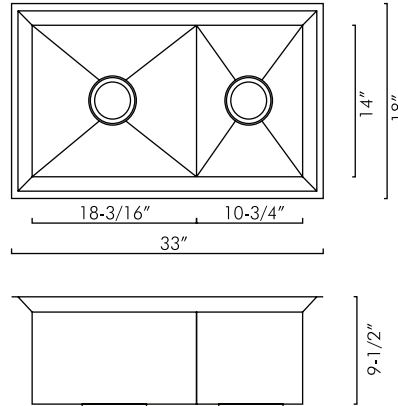
FEATURES

- Handmade sink
- 0mm radius corner
- Undermount
- 304 Stainless Steel
- 16 gauge
- Brushed Stainless Steel - Chrome 45° lip
- Over all size 33" x 18" Depth 9 1/2"
- Standard 3 1/2" drain opening
- Undercoated and sound pads
- Mounting clips and cutting template

ACCESSORIES

- Bottom Grid included
- Stainless Steel Basket Strainer included
- Round Stainless Steel Colander included
- Grey silicone dish rack not included (available)

UNDERMOUNT SINK



DAX - SQ-3318A

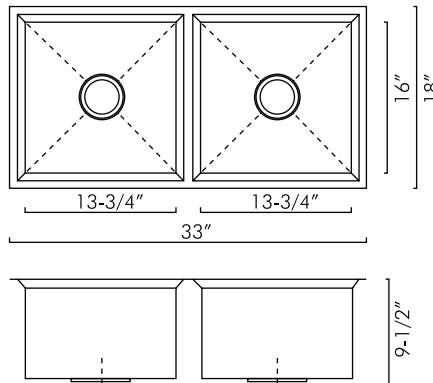
FEATURES

- Handmade sink
- 0mm radius corner
- Undermount
- 304 Stainless Steel
- 16 gauge
- Brushed Stainless Steel - Chrome 45° lip
- Over all size 33" x 18" Depth 9 1/2"
- Standard 3 1/2" drain opening
- Undercoated and sound pads
- Mounting clips and cutting template

ACCESSORIES

- Bottom Grid included
- Stainless Steel Basket Strainer included
- Round Stainless Steel Colander included
- Grey silicone dish rack not included (available)

UNDERMOUNT SINK



DAX - SQ-3318C

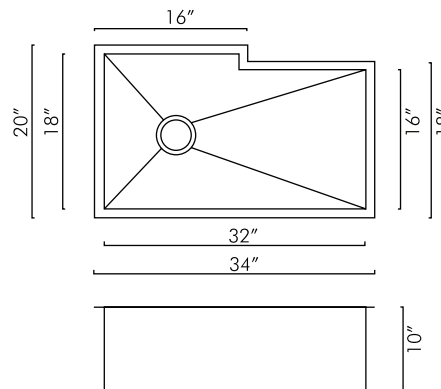
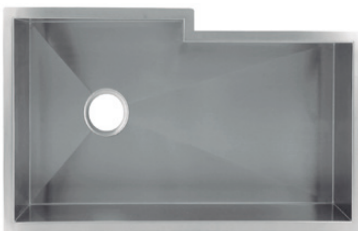
FEATURES

- Handmade sink
- 0mm radius corner
- Undermount
- 304 Stainless Steel
- 16 gauge
- Brushed Stainless Steel - Chrome 45° lip
- Over all size 33" x 18" Depth 9 1/2"
- Standard 3 1/2" drain opening
- Undercoated and sound pads
- Mounting clips and cutting template

ACCESSORIES

- Bottom Grid included
- Stainless Steel Basket Strainer included
- Round Stainless Steel Colander included
- Grey silicone dish rack not included (available)

UNDERMOUNT SINK



DAX - SQ-3420F

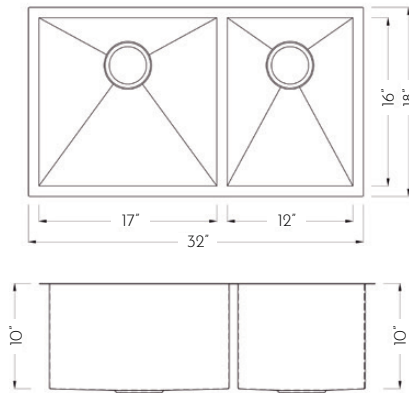
FEATURES

- Handmade sink
- 0mm radius corner
- Undermount
- 304 Stainless Steel
- 16 gauge
- Brushed Stainless Steel
- Over all size: 34" x 20" Depth: 10"
- Standard 3-1/2" drain opening
- Undercoated and sound pads
- Mounting clips and cutting template

ACCESSORIES

- Bottom grid included
- Stainless steel basket strainer (1 pc included)
- Stainless steel standard strainer not included (available)
- Round stainless steel colander included
- Square stainless steel colander not included (available)
- Grey silicone dish rack not included (available)

UNDERMOUNT SINK

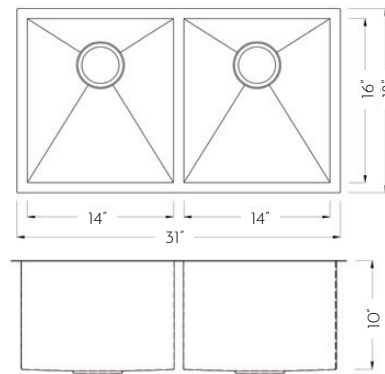
**DAX - SQ-3218****FEATRES**

- Handmade sink
- 0mm radius corner
- Undermount
- 304 Stainless Steel
- 16 gauge
- Brushed Stainless Steel
- Over all size 32" x 18" Depth 10"
- Standard 3 1/2" drain opening
- Undercoated and sound pads
- Mounting clips and cutting template

ACCESSORIES

- Bottom grid included
- Stainless steel basket strainer (1 pc included)
- Stainless steel standard strainer not included (available)
- Round stainless stell colander included
- Square stainless steel colander not included (available)
- Grey silicone dish rack not included (available)

UNDERMOUNT SINK

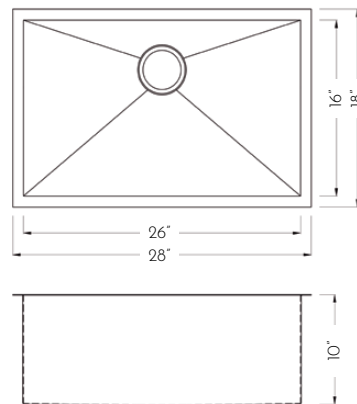
**DAX - SQ-3118A****FEATRES**

- Handmade sink
- 0mm radius corner
- Undermount
- 304 Stainless Steel
- 16 gauge
- Brushed Stainless Steel
- Over all size 31" x 18" Depth 10"
- Standard 3 1/2" drain opening
- Undercoated and sound pads
- Mounting clips and cutting template

ACCESSORIES

- Bottom grid included
- Stainless steel basket strainer (1 pc included)
- Stainless steel standard strainer not included (available)
- Round stainless stell colander included
- Square stainless steel colander not included (available)
- Grey silicone dish rack not included (available)

UNDERMOUNT SINK

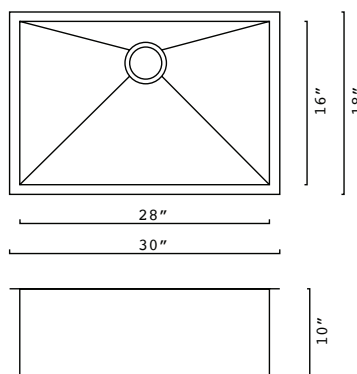
**DAX - SQ-2818****FEATRES**

- Handmade sink
- 0mm radius corner
- Undermount
- 304 Stainless Steel
- 16 gauge
- Brushed Stainless Steel
- Overall size 28" x 18" Depth 10"
- Standard 3 1/2" drain opening
- Undercoated and sound pads
- Mounting clips and cutting template

ACCESSORIES

- Bottom grid included
- Stainless steel basket strainer (1 pc included)
- Stainless steel standard strainer not included (available)
- Round stainless steel colander included
- Square stainless steel colander not included (available)
- Grey silicone dish rack not included (available)

UNDERMOUNT SINK

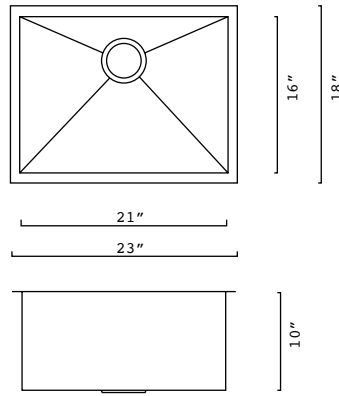
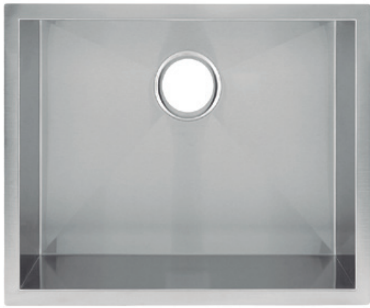
**DAX - SQ-3018****FEATURES**

- Handmade sink
- 0mm radius corner
- Undermount
- 304 Stainless Steel
- 16 gauge
- Brushed Stainless Steel
- Over all size 30" x 18" Depth 10"
- Standard 3 1/2" drain opening
- Undercoated and sound pads
- Mounting clips and cutting template

ACCESSORIES

- Bottom grid included
- Stainless steel basket strainer (1 pc included)
- Stainless steel standard strainer not included (available)
- Round stainless stell colander included
- Square stainless steel colander not included (available)
- Grey silicone dish rack not included (available)

UNDERMOUNT SINK



DAX - SQ-2318

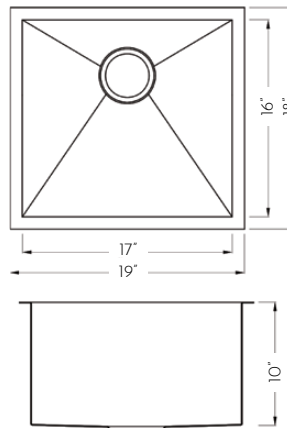
FEATURES

- Handmade sink
- 0mm radius corner
- Undermount
- 304 Stainless Steel
- 16 gauge
- Brushed Stainless Steel
- Over all size 23" x 18" Depth 10"
- Standard 3 1/2" drain opening
- Undercoated and sound pads
- Mounting clips and cutting template

ACCESSORIES

- Bottom grid included
- Stainless steel basket strainer (1 pc included)
- Stainless steel standard strainer not included (available)
- Round stainless steel colander included
- Square stainless steel colander not included (available)
- Grey silicone dish rack not included (available)

UNDERMOUNT SINK



DAX - SQ-1918

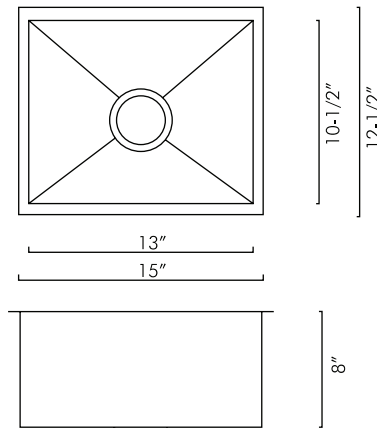
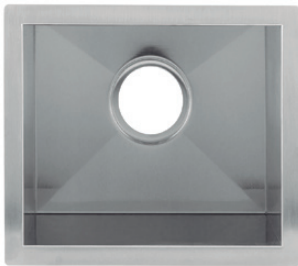
FEATURES

- Handmade sink
- 0mm radius corner
- Undermount
- 304 Stainless Steel
- 16 gauge
- Brushed Stainless Steel
- Over all size 19" x 18" Depth 10"
- Standard 3 1/2" drain opening
- Undercoated and sound pads
- Mounting clips and cutting template

ACCESSORIES

- Bottom grid included
- Stainless steel basket strainer (1 pc included)
- Stainless steel standard strainer not included (available)
- Round stainless steel colander included
- Square stainless steel colander not included (available)
- Grey silicone dish rack not included (available)

UNDERMOUNT SINK



DAX - SQ-1512

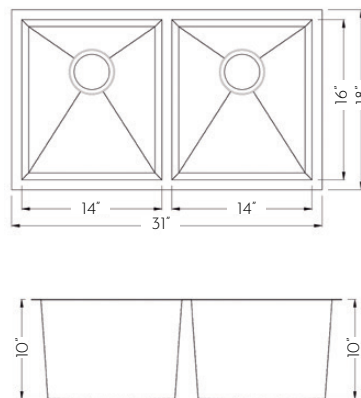
FEATURES

- Handmade sink
- 0mm radius corner
- Undermount
- 304 Stainless Steel
- 16 gauge
- Brushed Stainless Steel
- Over all size: 15" x 12-1/2" Depth: 8"
- Standard 3-1/2" drain opening
- Undercoated and sound pads
- Mounting clips and cutting template

ACCESSORIES

- Bottom grid included
- Stainless steel basket strainer (1 pc included)
- Stainless steel standard strainer not included (available)
- Round stainless steel colander included
- Grey silicone dish rack not included (available)

UNDERMOUNT SINK



DAX - SQ-3118A-X

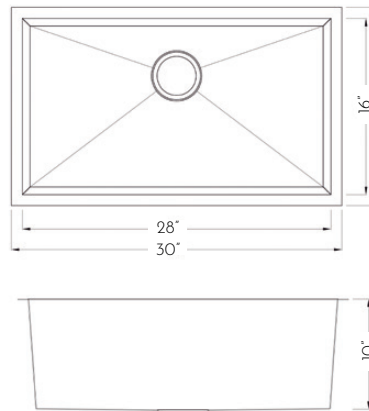
FEATURES

- Handmade sink
- 0mm radius corner
- Undermount
- 304 Stainless Steel
- 20 gauge
- Brushed Stainless Steel
- Over all size 29" x 18" Depth 10"
- Standard 3 1/2" drain opening
- Undercoated and sound pads
- Mounting clips and cutting template

ACCESSORIES

- Bottom grid not included (available)
- Stainless steel basket strainer not included (available)
- Stainless steel standard strainer not included (available)
- Round stainless steel colander not included (available)
- Square stainless steel colander not included (available)
- Grey silicone dish rack not included (available)

UNDERMOUNT SINK

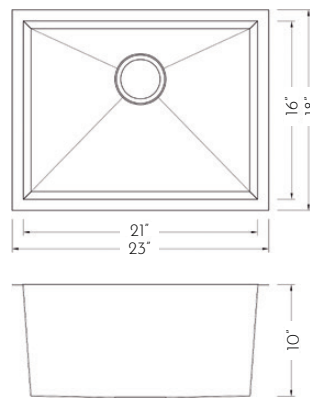
**DAX - SQ-3018-X****FEATURES**

- Handmade sink
- 0mm radius corner
- Undermount
- 304 Stainless Steel
- 18 gauge
- Brushed Stainless Steel
- Over all size 30" x 18" Depth 10"
- Standard 3 1/2" drain opening
- Undercoated and sound pads
- Mounting clips and cutting template

ACCESSORIES

- Bottom grid not included (available)
- Stainless steel basket strainer not included (available)
- Stainless steel standard strainer not included (available)
- Round stainless steel colander not included (available)
- Square stainless steel colander not included (available)
- Grey silicone dish rack not included (available)

UNDERMOUNT SINK

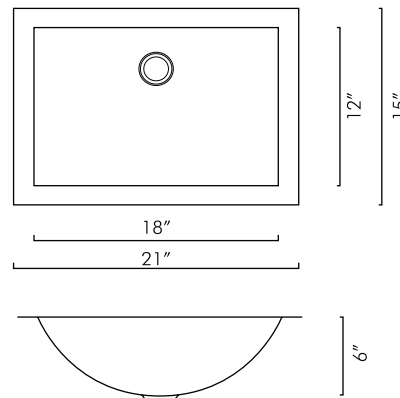
**DAX - SQ-2318-X****FEATURES**

- Handmade sink
- 0mm radius corner
- Undermount
- 304 Stainless Steel
- 18 gauge
- Brushed Stainless Steel
- Over all size 23" x 18" Depth 10"
- Standard 3 1/2" drain opening
- Undercoated and sound pads
- Mounting clips and cutting template

ACCESSORIES

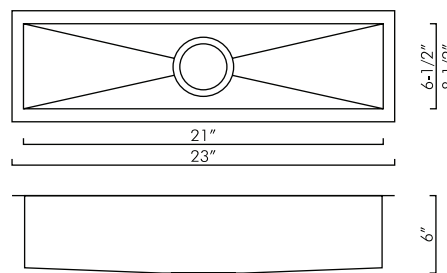
- Bottom grid not included (available)
- Bottom grid not included (available)
- Stainless steel basket strainer not included (available)
- Stainless steel standard strainer not included (available)
- Round stainless steel colander not included (available)
- Square stainless steel colander not included (available)
- Grey silicone dish rack not included (available)

UNDERMOUNT SINK

**DAX - SQ-114****FEATURES**

- Handmade sink
- 0mm radius corner
- Undermount
- 304 Stainless Steel
- 18 gauge
- Brushed Stainless Steel
- Over all size 21" x 11" Depth 6"
- Standard 3 1/2" drain opening
- Undercoated and sound pads
- Mounting clips and cutting template

UNDERMOUNT SINK

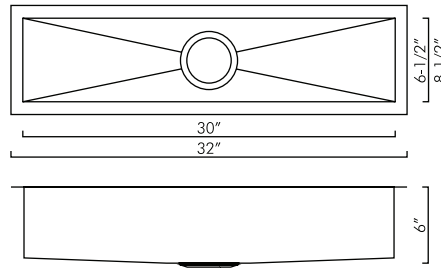
**DAX - SQ-2385****FEATURES**

- Handmade sink
- 0mm radius corner
- Undermount
- 304 Stainless Steel
- 16 gauge
- Brushed Stainless Steel
- Over all size: 23" x 8-1/2" Depth: 6"
- Standard 3-1/2" drain opening
- Undercoated and sound pads
- Mounting clips and cutting template

ACCESSORIES

- Stainless steel basket strainer not included (available)
- Stainless steel standard strainer not included (available)
- Grey silicone dish rack not included (available)

UNDERMOUNT SINK



DAX - SQ-3285

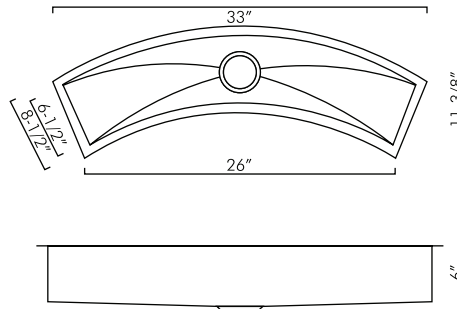
FEATURES

- Handmade sink
- 0mm radius corner
- Undermount
- 304 Stainless Steel
- 16 gauge
- Brushed Stainless Steel
- Over all size: 32" x 8-1/2" Depth: 6"
- Standard 3-1/2" drain opening
- Undercoated and sound pads
- Mounting clips and cutting template

ACCESSORIES

- Stainless steel basket strainer not included (available)
- Stainless steel standard strainer not included (available)
- Grey silicone dish rack not included (available)

UNDERMOUNT SINK



DAX - SQ-3312-C

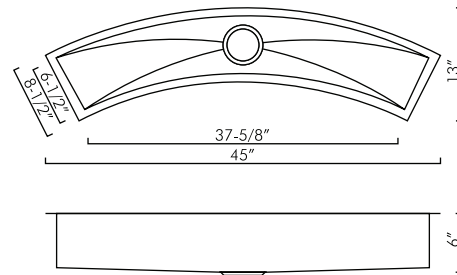
FEATURES

- Handmade sink
- 0mm radius corner
- Undermount
- 304 Stainless Steel
- 16 gauge
- Brushed Stainless Steel
- Over all size: 33" x 11-3/8" Depth: 6"
- Standard 3-1/2" drain opening
- Undercoated and sound pads
- Mounting clips and cutting template

ACCESSORIES

- Stainless steel basket strainer not included (available)
- Stainless steel standard strainer not included (available)
- Grey silicone dish rack not included (available)

UNDERMOUNT SINK



DAX - SQ-4512-C

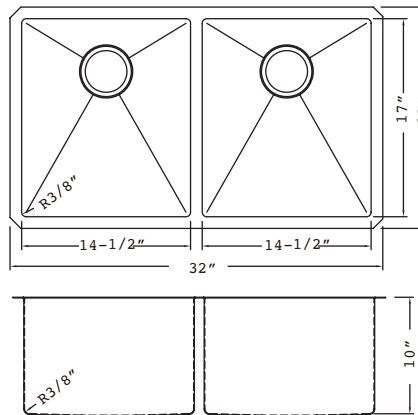
FEATURES

- Handmade sink
- 0mm radius corner
- Undermount
- 304 Stainless Steel
- 16 gauge
- Brushed Stainless Steel
- Over all size: 45" x 13" Depth: 6"
- Standard 3-1/2" drain opening
- Undercoated and sound pads
- Mounting clips and cutting template

ACCESSORIES

- Stainless steel basket strainer not included (available)
- Stainless steel standard strainer not included (available)
- Grey silicone dish rack not included (available)

UNDERMOUNT SINK



DAX - 3219ER10

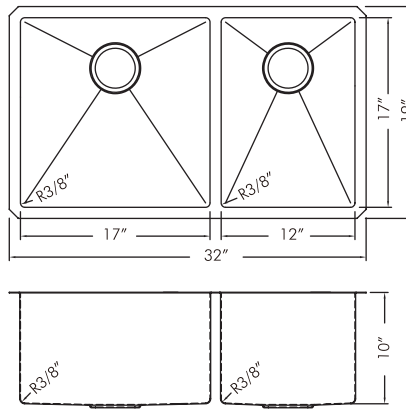
FEATURES

- Handmade sink
- 0mm radius corner
- Undermount
- 304 Stainless Steel
- 16 gauge
- Brushed Stainless Steel
- Over all size: 32" x 19" Depth: 10"
- Standard 3 1/2" drain opening
- Undercoated and sound pads
- Mounting clips and cutting template

ACCESSORIES

- Bottom grid included
- Stainless steel basket strainer (1 pc included)
- Stainless steel standard strainer not included (available)
- Grey silicone dish rack included

UNDERMOUNT SINK

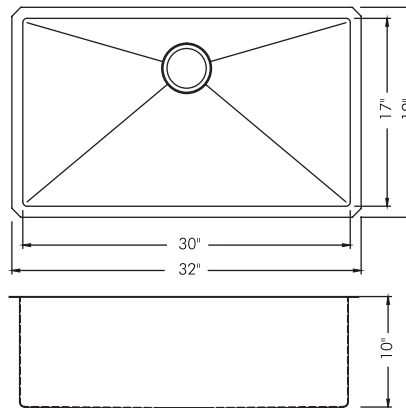
**DAX - 3219LR10****FEATURES**

- Handmade sink
- 10 mm radius corner
- Undermount
- 304 Stainless Steel
- 18 gauge
- Brushed Stainless Steel
- Over all size: 32" x 19" Depth: 10"
- Standard 3-1/2" drain opening
- Undercoated and sound pads
- Mounting clips and cutting template

ACCESSORIES

- Bottom grid included
- Stainless steel basket strainer (1 pc included)
- Stainless steel standard strainer not included (available)
- Square stainless steel colander not included (available)
- Grey silicone dish rack included

UNDERMOUNT SINK

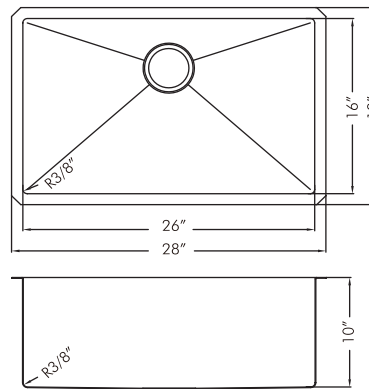
**DAX - 3219R10****FEATURES**

- Handmade sink
- 10 mm radius corner
- Undermount
- 304 Stainless Steel
- 18 gauge
- Brushed Stainless Steel
- Over all size: 32" x 19" Depth: 10"
- Standard 3-1/2" drain opening
- Undercoated and sound pads
- Mounting clips and cutting template

ACCESSORIES

- Bottom grid included
- Stainless steel basket strainer (1 pc included)
- Stainless steel standard strainer not included (available)
- Square stainless steel colander not included (available)
- Grey silicone dish rack included

UNDERMOUNT SINK

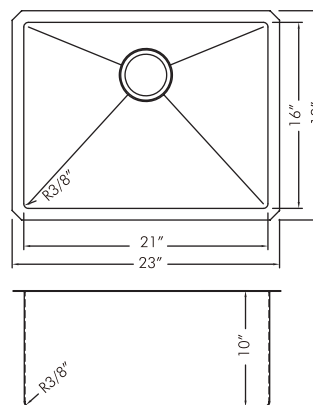
**DAX - 2818R10****FEATURES**

- Handmade sink
- 10 mm radius corner
- Undermount
- 304 Stainless Steel
- 18 gauge
- Brushed Stainless Steel
- Over all size: 28" x 18" Depth: 10"
- Standard 3-1/2" drain opening
- Undercoated and sound pads
- Mounting clips and cutting template

ACCESSORIES

- Bottom grid included
- Stainless steel basket strainer (1 pc included)
- Stainless steel standard strainer not included (available)
- Square stainless steel colander not included (available)
- Grey silicone dish rack included

UNDERMOUNT SINK

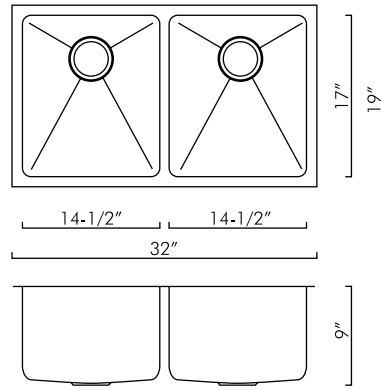
**DAX - 2318R10****FEATURES**

- Handmade sink
- 10 mm radius corner
- Undermount
- 304 Stainless Steel
- 18 gauge
- Brushed Stainless Steel
- Over all size: 23" x 18" Depth: 10"
- Standard 3-1/2" drain opening
- Undercoated and sound pads
- Mounting clips and cutting template

ACCESSORIES

- Bottom grid included
- Stainless steel basket strainer (1 pc included)
- Stainless steel standard strainer not included (available)
- Square stainless steel colander not included (available)
- Grey silicone dish rack included

UNDERMOUNT SINK



DAX - 3118B

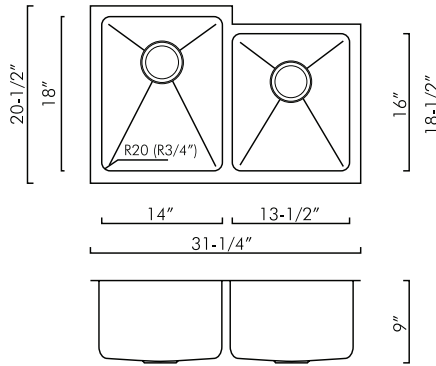
FEATURES

- Handmade sink
- 15 mm radius corner
- Undermount
- 304 Stainless Steel
- 18 gauge
- Brushed Stainless Steel
- Over all size: 32" x 19" Depth: 9"
- Standard 3-1/2" drain opening
- Undercoated and sound pads
- Mounting clips and cutting template

ACCESSORIES

- Bottom grid included
- Stainless steel basket strainer (1 pc included)
- Stainless steel basket strainer (1 pc included)
- Stainless steel standard strainer not included (available)
- Round stainless steel colander included
- Square stainless steel colander not included (available)
- Grey silicone dish rack not included (available)

UNDERMOUNT SINK



DAX - 3120-B

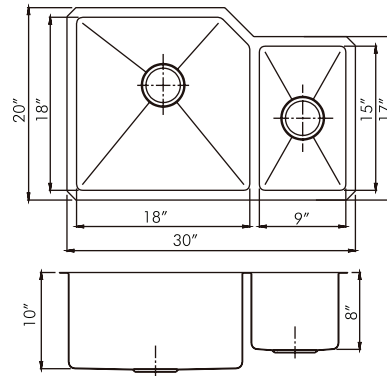
FEATURES

- Handmade sink
- 15 mm radius corner
- Undermount
- 304 Stainless Steel
- 18 gauge
- Brushed Stainless Steel
- Over all size: 31-1/4" x 20-1/2" Depth: 9"
- Standard 3-1/2" drain opening
- Undercoated and sound pads
- Mounting clips and cutting template

ACCESSORIES

- Bottom grid included
- Stainless steel basket strainer (1 pc included)
- Stainless steel basket strainer (1 pc included)
- Stainless steel standard strainer not included (available)
- Round stainless steel colander included
- Square stainless steel colander not included (available)
- Grey silicone dish rack not included (available)

UNDERMOUNT SINK



DAX - 3020B

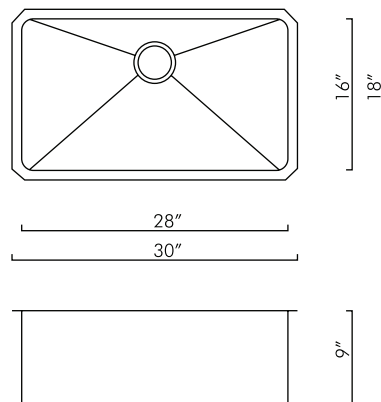
FEATURES

- Handmade sink
- 15 mm radius corner
- Undermount
- 304 Stainless Steel
- 16 gauge
- Brushed Stainless Steel
- Over all size: 30" x 20" Depth: 10"
- Standard 3-1/2" drain opening
- Undercoated and sound pads
- Mounting clips and cutting template

ACCESSORIES

- Bottom grid included
- Stainless steel basket strainer (1 pc included)
- Stainless steel standard strainer not included (available)
- Round stainless steel colander included
- Square stainless steel colander not included (available)
- Grey silicone dish rack not included (available)

UNDERMOUNT SINK



DAX - 3018B

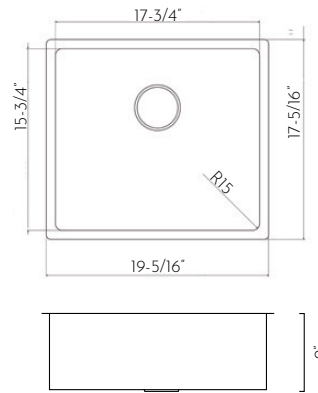
FEATURES

- Handmade sink
- 15 mm radius corner
- Undermount
- 304 Stainless Steel
- 18 gauge
- Brushed Stainless Steel
- Over all size: 30" x 18" Depth: 9"
- Standard 3-1/2" drain opening
- Undercoated and sound pads
- Mounting clips and cutting template

ACCESSORIES

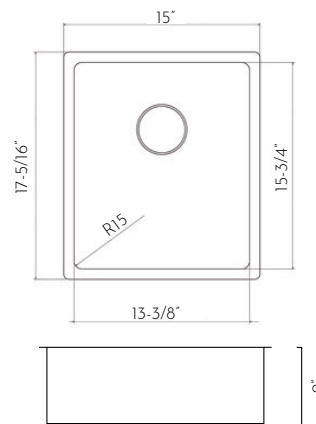
- Bottom grid included
- Stainless steel basket strainer (1 pc included)
- Stainless steel standard strainer not included (available)
- Round stainless steel colander included
- Square stainless steel colander not included (available)
- Grey silicone dish rack not included (available)

UNDERMOUNT SINK

**KA - 1917-B****FEAUTRES**

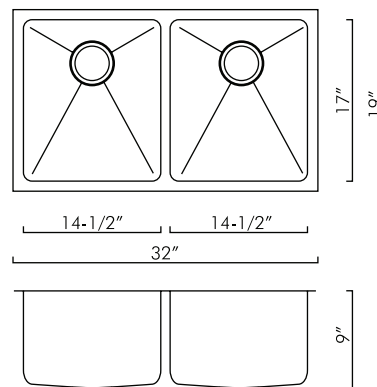
- Handmade sink
- 15mm radius corner
- Undermount
- 304 Stainless Steel
- 18 gauge
- Brushed Stainless Steel
- Over all size: 19-5/16" x 17 5/16" Depth: 9"
- Standard 3 1/2" drain opening
- Undercoated and sound pads
- Mounting clips and cutting template

UNDERMOUNT SINK

**KA - 1517-B****FEAUTRES**

- Handmade sink
- 15mm radius corner
- Undermount
- 304 Stainless Steel
- 18 gauge
- Brushed Stainless Steel
- Over all size: 15" x 15 3/4" Depth: 9"
- Standard 3 1/2" drain opening
- Undercoated and sound pads
- Mounting clips and cutting template

UNDERMOUNT SINK

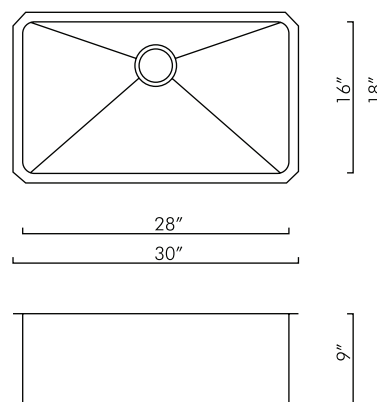
**DAX - 3118B-X****FEAUTRES**

- Handmade sink
- 15mm radius corner
- Undermount
- 304 Stainless Steel
- 18 gauge
- Brushed Stainless Steel
- Over all size: 32" x 19" Depth: 9"
- Standard 3 1/2" drain opening
- Undercoated and sound pads
- Mounting clips and cutting template

ACCESSORIES

- Bottom grid not included (available)
- Stainless steel basket strainer not included (available)
- Stainless steel standard strainer not included (available)
- Round stainless steel colander not included (available)
- Square stainless steel colander not included (available)
- Grey silicone dish rack not included (available)

UNDERMOUNT SINK

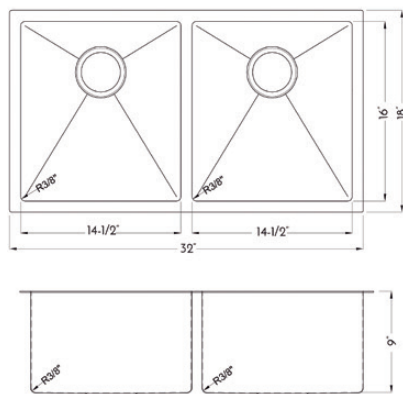
**DAX - 3018B-X****FEAUTRES**

- Handmade sink
- 15mm radius corner
- Undermount
- 304 Stainless Steel
- 18 gauge
- Brushed Stainless Steel
- Over all size: 30" x 18" Depth: 9"
- Standard 3 1/2" drain opening
- Undercoated and sound pads
- Mounting clips and cutting template

ACCESSORIES

- Bottom grid not included (available)
- Stainless steel basket strainer not included (available)
- Stainless steel standard strainer not included (available)
- Round stainless steel colander not included (available)
- Square stainless steel colander not included (available)
- Grey silicone dish rack not included (available)

UNDERMOUNT SINK



DAX - NB3218-R10

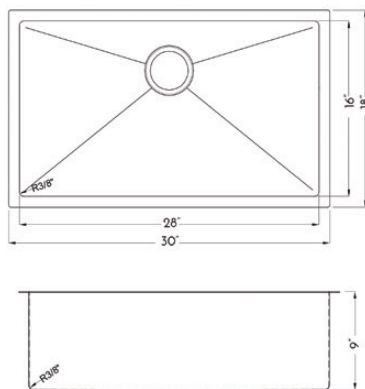
FEAUTRES

- Handmade sink
- Undermount
- 304 Stainless Steel
- 18 gauge
- Nano Black finish
- Over all size: 32" x 18" x 9"
- Standard 3-1/2" drain opening
- Undercoated and sound pads
- Mounting clips and cutting template

ACCESSORIES

- Stainless Steel Basket strainer included
- Stainless Steel Bottom grid included
- Wooden cutting board included

UNDERMOUNT SINK



DAX - NB3018-R10

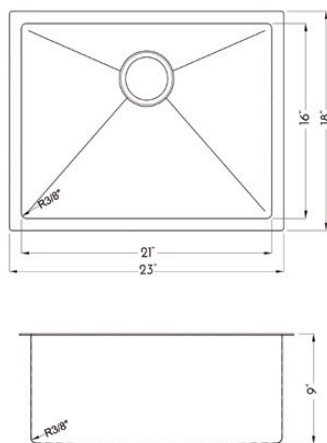
FEAUTRES

- Handmade sink
- Undermount
- 304 Stainless Steel
- 18 gauge
- Nano Black finish
- Over all size: 30" x 18" x 9"
- Standard 3-1/2" drain opening
- Undercoated and sound pads
- Mounting clips and cutting template

ACCESSORIES

- Stainless Steel Basket strainer included
- Stainless Steel Bottom grid included
- Wooden cutting board included

UNDERMOUNT SINK



DAX - NB2318-R10

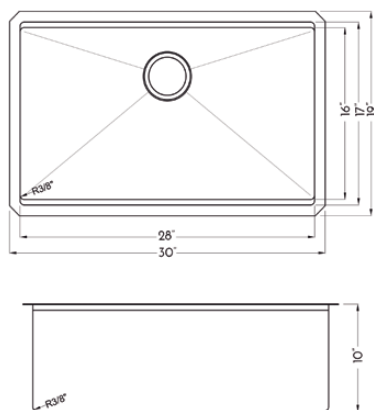
FEAUTRES

- Handmade sink
- Undermount
- 304 Stainless Steel
- 18 gauge
- Nano Black finish
- Over all size: 23" x 18" x 9"
- Standard 3-1/2" drain opening
- Undercoated and sound pads
- Mounting clips and cutting template

ACCESSORIES

- Stainless Steel Basket strainer included
- Stainless Steel Bottom grid included
- Wooden cutting board included

UNDERMOUNT SINK



DAX - WS3019-R10

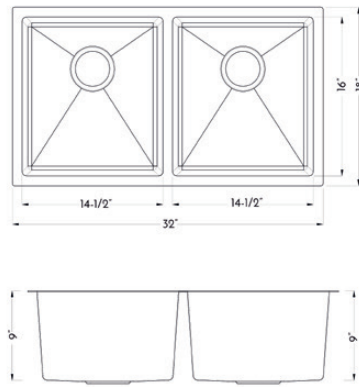
FEAUTRES

- Handmade sink
- Undermount
- 304 Stainless Steel
- 16 gauge
- Brushed finish
- Over all size: 30" x 19" x 10"
- Standard 3-1/2" drain opening
- Undercoated and sound pads
- Mounting clips and cutting template

ACCESSORIES

- Stainless Steel Basket strainer included
- Stainless Steel Bottom grid included
- Basing Rack included
- Wooden cutting board included
- Colander included

UNDERMOUNT SINK

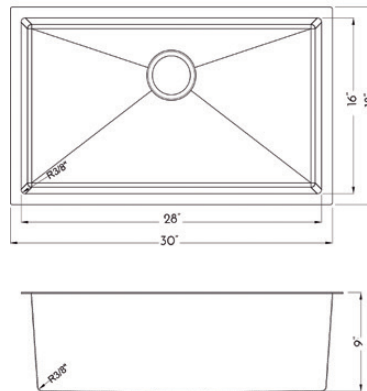
**DAX - T3218-R10****FEAUTES**

- Double Bowl
- Undermount
- 304 Stainless Steel
- 18 gauge
- Brushed finish
- Over all size: 32" x 18" x 9"
- Standard 3-1/2" drain opening
- Undercoated and sound pads
- Mounting clips and cutting template

ACCESSORIES

- Stainless Steel Basket strainer not included (available)
- Stainless Steel Bottom grid not included (available)

UNDERMOUNT SINK

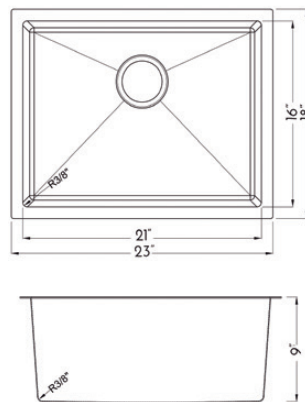
**DAX - T3018-R10****FEAUTES**

- Single Bowl
- Undermount
- 304 Stainless Steel
- 18 gauge
- Brushed finish
- Over all size: 30" x 18" x 9"
- Standard 3-1/2" drain opening
- Undercoated and sound pads
- Mounting clips and cutting template

ACCESSORIES

- Stainless Steel Basket strainer not included (available)
- Stainless Steel Bottom grid not included (available)

UNDERMOUNT SINK

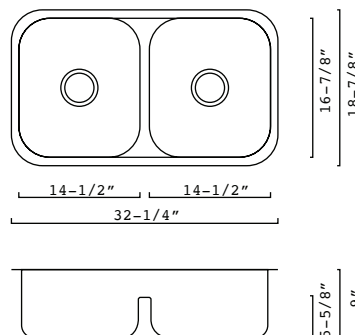
**DAX - T2318-R10****FEAUTES**

- Single Bowl
- Undermount
- 304 Stainless Steel
- 18 gauge
- Brushed finish
- Over all size: 23" x 18" x 9"
- Standard 3-1/2" drain opening
- Undercoated and sound pads
- Mounting clips and cutting template

ACCESSORIES

- Stainless Steel Basket strainer not included (available)
- Stainless Steel Bottom grid not included (available)

UNDERMOUNT SINK

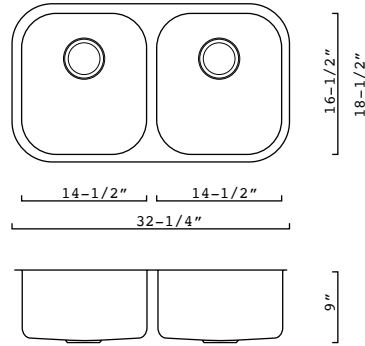
**DAX - 3218****FEATURES**

- Handmade sink
- 0mm radius corner
- Undermount
- 304 Stainless Steel
- 16 gauge
- Brushed Stainless Steel
- Over all size 32" x 18" Depth 10"
- Standard 3 1/2" drain opening
- Undercoated and sound pads
- Mounting clips and cutting template

ACCESSORIES

- Bottom grid included
- Stainless steel basket strainer (1 pc included)
- Stainless steel standard strainer not included (available)
- Round stainless steel colander included
- Square stainless steel colander not included (available)
- Grey silicone dish rack not included (available)

UNDERMOUNT SINK



DAX - 3118

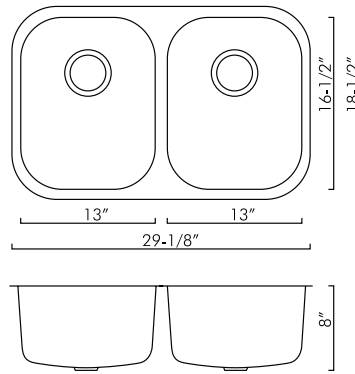
FEATURES

- Pressed sink
- Undermount
- 304 Stainless Steel
- 18 gauge
- Brushed Stainless Steel
- Size W 32-1/4" x H 18-1/2" Depth: 9"
- Standard 3-1/2" drain opening
- Undercoated and sound pads
- Mounting clips and cutting template

ACCESSORIES

- Bottom grid not included (available)
- Stainless steel basket strainer not included (available)
- Stainless steel standard strainer not included (available)
- Round stainless steel colander not included (available)
- Grey silicone dish rack not included (available)

UNDERMOUNT SINK



DAX - 2918

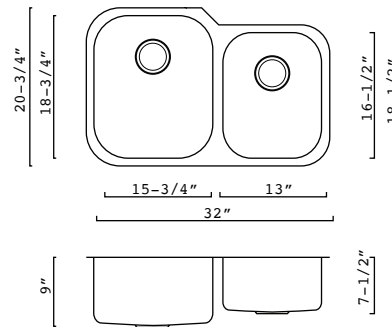
FEATURES

- Pressed sink
- Undermount
- 304 Stainless Steel
- 18 gauge
- Brushed Stainless Steel
- Over all size: 29-1/8" x 18-1/2" Depth: 8"
- Standard 3-1/2" drain opening
- Undercoated and sound pads
- Mounting clips and cutting template

ACCESSORIES

- Bottom grid not included (available)
- Stainless steel basket strainer not included (available)
- Stainless steel standard strainer not included (available)
- Dish rack not included (available)
- Grey silicone dish rack not included (available)

UNDERMOUNT SINK



DAX - 3120L

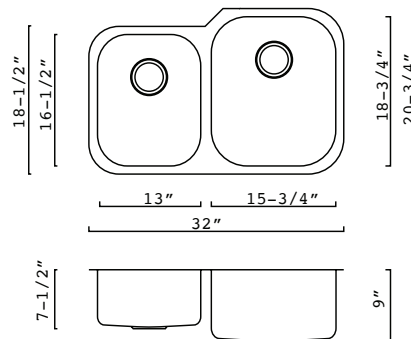
FEAUTRES

- Pressed sink
- Undermount
- 304 Stainless Steel
- 18 gauge
- Brushed Stainless Steel
- Size W 32" x H 20-3/4" Depth: 9"
- Standard 3-1/2" drain opening
- Undercoated and sound pads
- Mounting clips and cutting template

ACCESSORIES

- Bottom grid not included (available)
- Stainless steel basket strainer not included (available)
- Stainless steel standard strainer not included (available)
- Round stainless steel colander not included (available)
- Grey silicone dish rack not included (available)

UNDERMOUNT SINK



DAX - 3120R

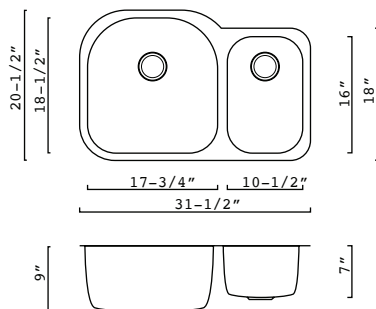
FEAUTRES

- Pressed sink
- Undermount
- 304 Stainless Steel
- 18 gauge
- Brushed Stainless Steel
- Size W 32" x H 20-3/4" Depth: 9"
- Standard 3-1/2" drain opening
- Undercoated and sound pads
- Mounting clips and cutting template

ACCESSORIES

- Bottom grid not included (available)
- Stainless steel basket strainer not included (available)
- Stainless steel standard strainer not included (available)
- Round stainless steel colander not included (available)
- Grey silicone dish rack not included (available)

UNDERMOUNT SINK

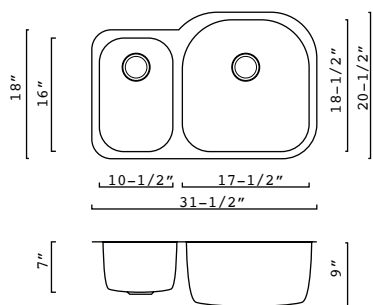
**DAX - 3121L****FEATURES**

- Pressed sink
- Undermount
- 304 Stainless Steel
- 18 gauge
- Brushed Stainless Steel
- Size W 31 1/2" x H 20-1/2" Depth: 9"
- Standard 3-1/2" drain opening
- Undercoated and sound pads
- Mounting clips and cutting template

ACCESSORIES

- Bottom grid not included (available)
- Stainless steel basket strainer not included (available)
- Stainless steel standard strainer not included (available)
- Round stainless steel colander not included (available)
- Grey silicone dish rack not included (available)

UNDERMOUNT SINK

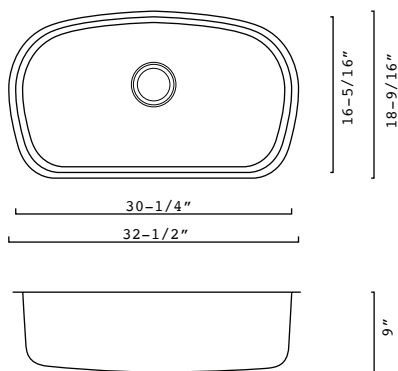
**DAX - 3121R****FEATURES**

- Pressed sink
- Undermount
- 304 Stainless Steel
- 18 gauge
- Brushed Stainless Steel
- Size W 31 1/2" x H 20-1/2" Depth: 9"
- Standard 3-1/2" drain opening
- Undercoated and sound pads
- Mounting clips and cutting template

ACCESSORIES

- Bottom grid not included (available)
- Stainless steel basket strainer not included (available)
- Stainless steel standard strainer not included (available)
- Round stainless steel colander not included (available)
- Grey silicone dish rack not included (available)

UNDERMOUNT SINK

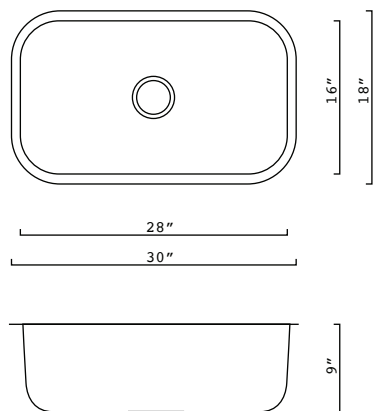
**DAX - 3319****FEATURES**

- Pressed sink
- Undermount
- 304 Stainless Steel
- 18 gauge
- Brushed Stainless Steel
- Size W 32 1/2" x H 18 9/16" Depth: 9"
- Standard 3-1/2" drain opening
- Undercoated and sound pads
- Mounting clips and cutting template

ACCESSORIES

- Bottom grid not included (available)
- Stainless steel basket strainer not included (available)
- Stainless steel standard strainer not included (available)
- Round stainless steel colander not included (available)
- Grey silicone dish rack not included (available)

UNDERMOUNT SINK

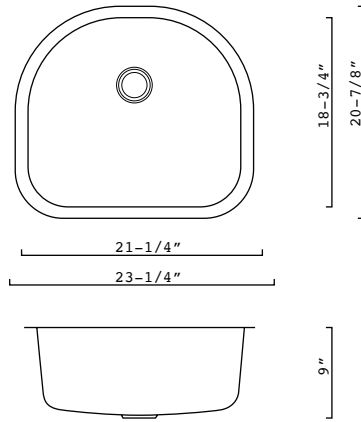
**DAX - 3018****FEATURES**

- Pressed sink
- Undermount
- 304 Stainless Steel
- 18 gauge
- Brushed Stainless Steel
- Size W 30" x H 18" Depth: 9"
- Standard 3-1/2" drain opening
- Undercoated and sound pads
- Mounting clips and cutting template

ACCESSORIES

- Bottom grid not included (available)
- Stainless steel basket strainer not included (available)
- Stainless steel standard strainer not included (available)
- Round stainless steel colander not included (available)
- Grey silicone dish rack not included (available)

UNDERMOUNT SINK



DAX - 2321

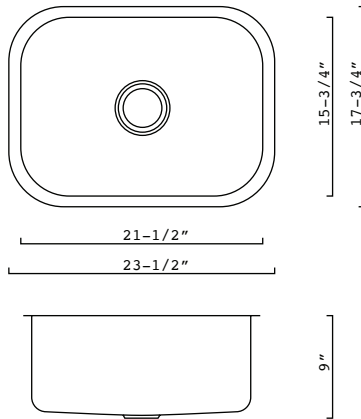
FEATURES

- Pressed sink
- Undermount
- 304 Stainless Steel
- 18 gauge
- Brushed Stainless Steel
- Size W 23 1/4" x H 20 7/8" Depth: 9"
- Standard 3-1/2" drain opening
- Undercoated and sound pads
- Mounting clips and cutting template

ACCESSORIES

- Bottom grid not included (available)
- Stainless steel basket strainer not included (available)
- Stainless steel standard strainer not included (available)
- Round stainless steel colander not included (available)
- Grey silicone dish rack not included (available)

UNDERMOUNT SINK



DAX - 2317

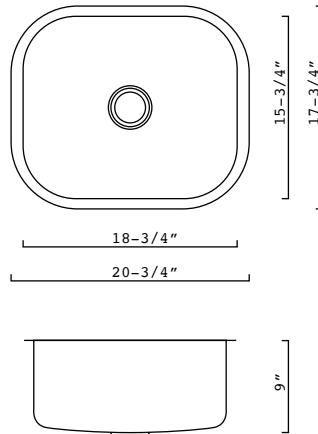
FEATURES

- Pressed sink
- Undermount
- 304 Stainless Steel
- 18 gauge
- Brushed Stainless Steel
- Size W 23 1/2" x H 17 3/4" Depth: 9"
- Standard 3-1/2" drain opening
- Undercoated and sound pads
- Mounting clips and cutting template

ACCESSORIES

- Bottom grid not included (available)
- Stainless steel basket strainer not included (available)
- Stainless steel standard strainer not included (available)
- Round stainless steel colander not included (available)
- Grey silicone dish rack not included (available)

UNDERMOUNT SINK



DAX - 1720

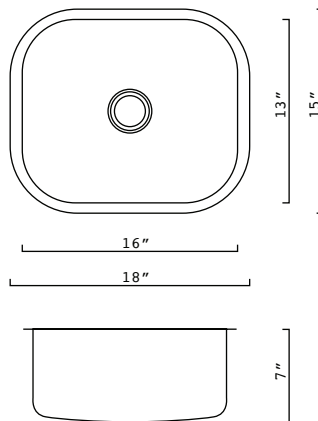
FEATURES

- Pressed sink
- Undermount
- 304 Stainless Steel
- 18 gauge
- Brushed Stainless Steel
- Size W 20 3/4" x H 17 3/4" Depth: 9"
- Standard 3-1/2" drain opening
- Undercoated and sound pads
- Mounting clips and cutting template

ACCESSORIES

- Bottom grid not included (available)
- Stainless steel basket strainer not included (available)
- Stainless steel standard strainer not included (available)
- Round stainless steel colander not included (available)
- Grey silicone dish rack not included (available)

UNDERMOUNT SINK



DAX - 1815

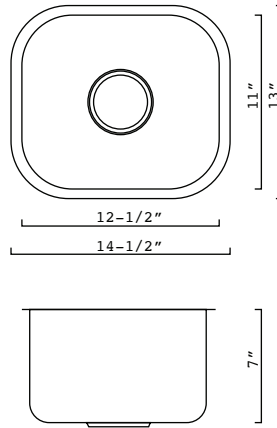
FEATURES

- Pressed sink
- Undermount
- 304 Stainless Steel
- 18 gauge
- Brushed Stainless Steel
- Size W 18" x H 15" Depth: 7"
- Standard 3-1/2" drain opening
- Undercoated and sound pads
- Mounting clips and cutting template

ACCESSORIES

- Bottom grid not included (available)
- Stainless steel basket strainer not included (available)
- Stainless steel standard strainer not included (available)
- Round stainless steel colander not included (available)
- Grey silicone dish rack not included (available)

UNDERMOUNT SINK



DAX - 1214

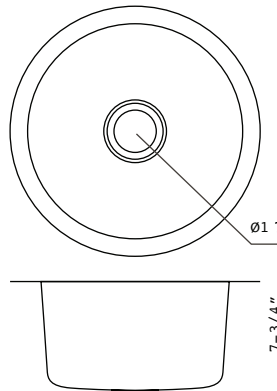
FEATURES

- Pressed sink
- Undermount
- 304 Stainless Steel
- 18 gauge
- Brushed Stainless Steel
- Size W 14 1/2" x H 13" Depth: 7"
- Standard 3-1/2" drain opening
- Undercoated and sound pads
- Mounting clips and cutting template

ACCESSORIES

- Bottom grid not included (available)
- Stainless steel basket strainer not included (available)
- Stainless steel standard strainer not included (available)
- Round stainless steel colander not included (available)
- Grey silicone dish rack not included (available)

UNDERMOUNT SINK



DAX - 415

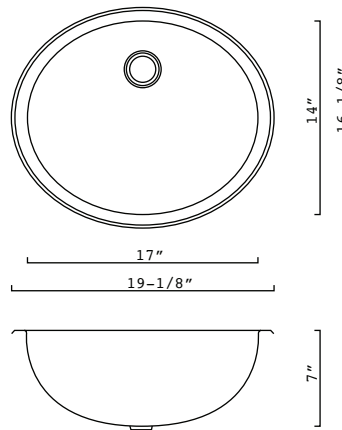
FEATURES

- Pressed sink
- Undermount
- 304 Stainless Steel
- 20 gauge
- Brushed Stainless Steel
- Size W Ø 17" Depth: 7 3/4"
- Standard 3-1/2" drain opening
- Undercoated and sound pads
- Mounting clips and cutting template

ACCESSORIES

- Bottom grid not included (available)
- Stainless steel basket strainer not included (available)
- Stainless steel standard strainer not included (available)
- Round stainless steel colander not included (available)
- Grey silicone dish rack not included (available)

UNDERMOUNT SINK

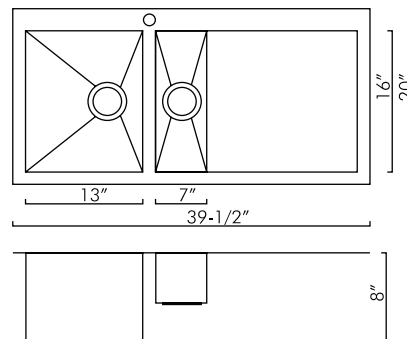


DAX - 1916

FEATURES

- Pressed sink
- Undermount
- 304 Stainless Steel
- 20 gauge
- Brushed Stainless Steel
- Size W 19 1/8" x H 16 1/8" Depth: 7"
- Standard 3-1/2" drain opening
- Undercoated and sound pads
- Mounting clips and cutting template

OVERMOUNT SINK



DAX - AT100DP

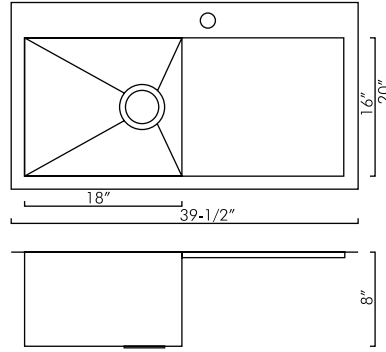
FEATURES

- Handmade sink
- Omm radius corner
- Overmount
- 304 Stainless Steel
- 18 gauge
- Brushed Stainless Steel
- Over all size: 39-1/2" x 20" Depth: 8"
- Standard 3-1/2" drain opening
- Undercoated and sound pads
- Mounting clips and cutting template

ACCESSORIES

- Bottom grid included
- Stainless steel standard strainer included
- Overflow drain (parts included)

OVERMOUNT SINK



DAX - AT10OSP

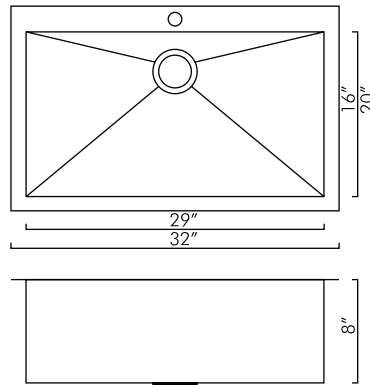
FEATURES

- Handmade sink
- 0mm radius corner
- Overmount
- 304 Stainless Steel
- 18 gauge
- Brushed Stainless Steel
- Over all size: 39-1/2" x 20" Depth: 8"
- Standard 3-1/2" drain opening
- Undercoated and sound pads
- Mounting clips and cutting template

ACCESSORIES

- Bottom grid included
- Stainless steel standard strainer included
- Overflow drain (parts included)

OVERMOUNT SINK



DAX - AT82S

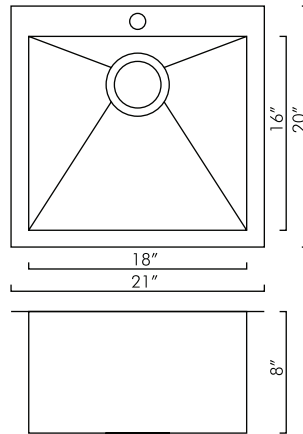
FEATURES

- Handmade sink
- 0mm radius corner
- Overmount
- 304 Stainless Steel
- 18 gauge
- Brushed Stainless Steel
- Over all size: 32" x 20" Depth: 8"
- Standard 3-1/2" drain opening
- Undercoated and sound pads
- Mounting clips and cutting template

ACCESSORIES

- Bottom grid included
- Stainless steel standard strainer included
- Overflow drain (parts included)

OVERMOUNT SINK



DAX - AT54S

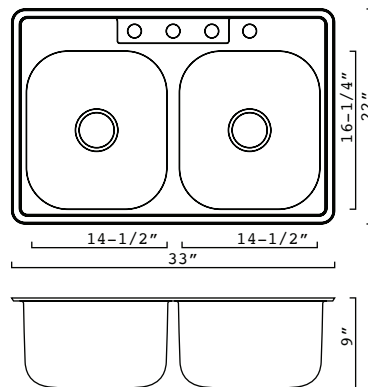
FEATURES

- Handmade sink
- 0mm radius corner
- Overmount
- 304 Stainless Steel
- 18 gauge
- Brushed Stainless Steel
- Over all size: 21" x 20" Depth: 8"
- Standard 3-1/2" drain opening
- Undercoated and sound pads
- Mounting clips and cutting template

ACCESSORIES

- Bottom grid included
- Stainless steel standard strainer included
- Overflow drain (parts included)

OVERMOUNT SINK



DAX - OM - 3322

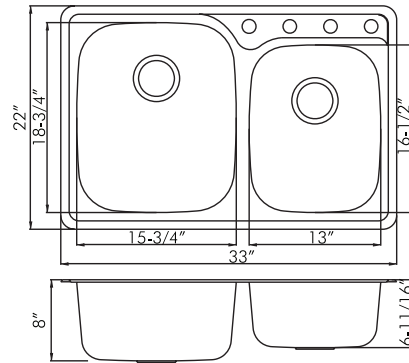
EATURES

- Pressed sink
- Overmount
- 304 Stainless Steel
- 20 gauge
- Brushed Stainless Steel
- Over all size: 33" x 22" Depth: 9"
- Standard 3-1/2" drain opening
- Undercoated and sound pads
- Mounting clips

ACCESSORIES

- Bottom grid not included (available)
- Stainless steel basket strainer not included (available)
- Stainless steel standard strainer not included (available)
- Dish rack not included (available)
- Grey silicone dish rack not included (available)

OVERMOUNT SINK

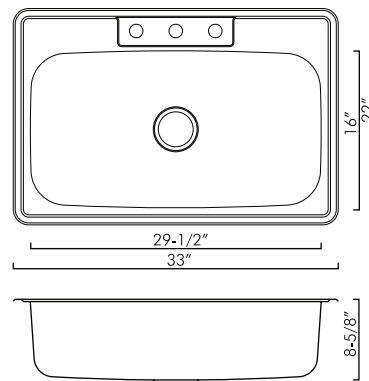
**DAX - OM-911****FEATURES**

- Pressed sink
- Overmount
- 304 Stainless Steel
- 20 gauge
- Brushed Stainless Steel
- Over all size: 33" x 22" Depth: 8"
- Standard 3-1/2" drain opening
- Undercoated and sound pads
- Mounting clips

ACCESSORIES

- Bottom grid not included (available)
- Stainless steel basket strainer not included (available)
- Stainless steel standard strainer not included (available)
- Dish rack not included (available)
- Grey silicone dish rack not included (available)

OVERMOUNT SINK

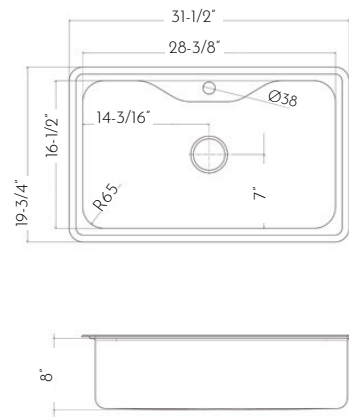
**DAX - OM-3323****FEATURES**

- Pressed sink
- Overmount
- 304 Stainless Steel
- 20 gauge
- Brushed Stainless Steel
- Over all size: 33" x 22" Depth: 8-5/8"
- Standard 3-1/2" drain opening
- Undercoated and sound pads
- Mounting clips

ACCESSORIES

- Bottom grid not included (available)
- Stainless steel basket strainer not included (available)
- Stainless steel standard strainer not included (available)
- Dish rack not included (available)
- Grey silicone dish rack not included (available)

OVERMOUNT SINK

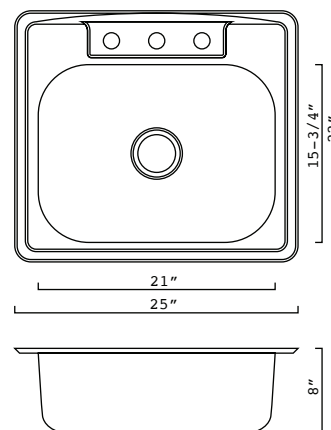
**KA - OM3220****FEATURES**

- Pressed sink
- Undermount
- 304 Stainless Steel
- 20 gauge
- Brushed Stainless Steel
- Size W 31 1/2" x H 19 11/16" Depth: 8"
- Standard 3-1/2" drain opening
- Undercoated and sound pads
- Mounting clips and cutting template

ACCESSORIES

- Bottom grid not included (available)
- Stainless steel basket strainer not included (available)
- Stainless steel standard strainer not included (available)
- Round stainless stell colander not included (available)
- Grey silicone dish rack not included (available)

OVERMOUNT SINK

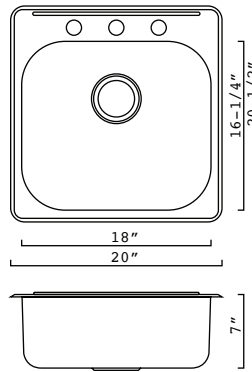
**DAX - OM-2522****FEATURES**

- Pressed sink
- Overmount
- 304 Stainless Steel
- 20 gauge
- Brushed Stainless Steel
- Over all size: 25" x 22" Depth: 8"
- Standard 3-1/2" drain opening
- Undercoated and sound pads
- Mounting clips

ACCESSORIES

- Bottom grid not included (available)
- Stainless steel basket strainer not included (available)
- Stainless steel standard strainer not included (available)
- Dish rack not included (available)
- Grey silicone dish rack not included (available)

OVERMOUNT SINK



DAX - OM-2020

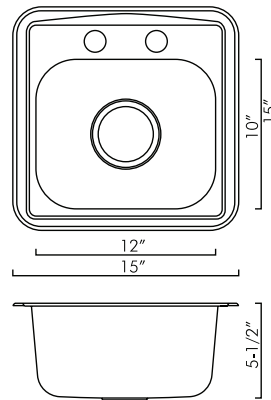
FEATURES

- Pressed sink
- Undermount
- 304 Stainless Steel
- 20 gauge
- Brushed Stainless Steel
- Size W 20" x H 20 1/2" Depth: 8"
- Standard 3-1/2" drain opening
- Undercoated and sound pads
- Mounting clips and cutting template

ACCESSORIES

- Bottom grid not included (available)
- Stainless steel basket strainer not included (available)
- Stainless steel standard strainer not included (available)
- Round stainless steel colander not included (available)
- Grey silicone dish rack not included (available)

OVERMOUNT SINK



DAX - OM-1515

FEATURES

- Pressed sink
- Undermount
- 304 Stainless Steel
- 23 gauge
- Brushed Stainless Steel
- Size W 15" x H 15" Depth: 5 1/2"
- Standard 3-1/2" drain opening
- Undercoated and sound pads
- Mounting clips and cutting template

ACCESSORIES

- Bottom grid not included (available)
- Stainless steel basket strainer not included (available)
- Stainless steel standard strainer not included (available)
- Round stainless steel colander not included (available)
- Grey silicone dish rack not included (available)

DAX - 3420F



DAX - 347



DAX - SQ-3621



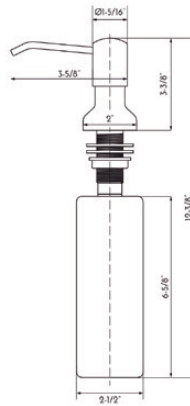
DAX - 3120-B





03 KITCHEN
ACCESSOIRES SERIES

SOAP DISPENSERS



DAX - 1002

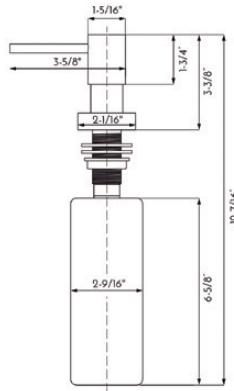
FEATURES

- Brass Head

FINISH

- DAX-1002-CR Chrome
- DAX-1002-BN Brushed nickel

SOAP DISPENSERS



DAX - 1001

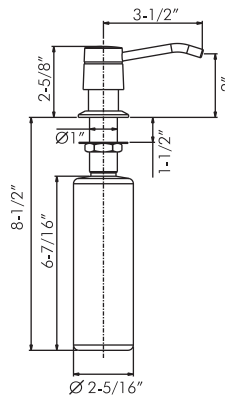
FEATURES

- Brass head

FINISH

- DAX-1001-CR Chrome
- DAX-1001-BN Brushed nickel

SOAP DISPENSERS



DAX - 81002

FEATURES

- Brass body

FINISH

- DAX-81002-BN Brushed nickel
- DAX-81002-CR Chrome

SINK STRAINERS



DR - 303A

FEATURES

- Stainless steel basket strainer
- Brushed stainless steel finish
- Size: W 4-1/2" x D 4"

SINK STRAINERS

**DR - 401****FEATURES**

- Stainless steel standard strainer
- Brushed stainless steel finish
- Size: W 4-1/2" x D 4-3/4"

DECK PLATES

**DP-2000****FEATURES**

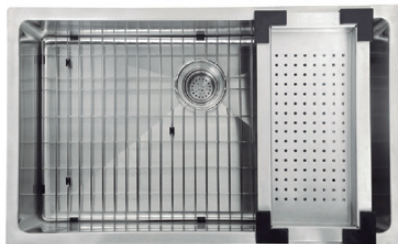
- Deck Plate
- Stainless steel
- Brushed nickel finish
- Size: W 9-15/16" x H 2-7/16" x D 5/16"

DECK PLATES

**DP - 2001****FEATURES**

- Stainless steel
- Size: W 9-15/16" x H 2-7/16" x D 5/16"
- Chrome finish

DISH RACKS

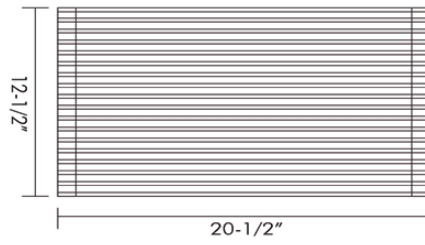
**COLANDER****FEATURES**

- Stainless steel body
- Overmount
- ABS corner grabs
- Dishwasher safe

COMPATIBLE

- DAX-SQ-3018
- DAX-SQ2920A

DISH RACKS



DAX - DDR58120

- Roll-up dishrack
- Over the sink
- Multi-purpose
- Grey color
- Silicone material
- Heat resistant
- Dishwasher safe
- Size: W 20-1/2" x H 12-1/2"

DP-2000





GRIDS MODELS

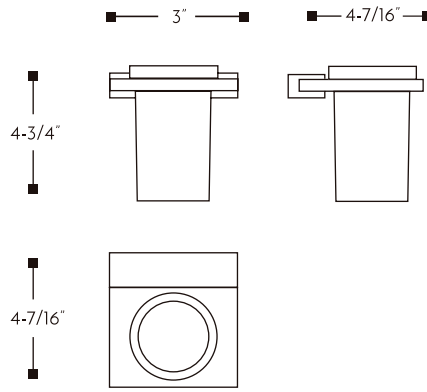
GRID-1214
 GRID-1720
 GRID-1815
 GRID-2317
 GRID-2321
 GRID-2918
 GRID-2920L
 GRID-3018
 GRID-3018B
 GRID-3018B-X
 GRID-3118
 GRID-3118B
 GRID-3118B-X
 GRID-3120B
 GRID-3120L-R
 GRID-3121L-R
 GRID-3218
 GRID-3319
 GRID-334
 GRID-347
 GRID-415
 GRID-OM1515
 GRID-OM2020
 GRID-OM2522
 GRID-OM3322
 GRID-OM3323
 GRID-OM911
 GRID-SQ1512
 GRID-SQ1918
 GRID-SQ2318
 GRID-SQ2318-X
 GRID-SQ2418
 GRID-SQ2818
 GRID-SQ2918
 GRID-SQ2918A
 GRID-SQ2918A-X
 GRID-SQ2920
 GRID-SQ2920A
 GRID-SQ3018
 GRID-SQ3018-X
 GRID-SQ3021
 GRID-SQ3118A
 GRID-SQ3120
 GRID-SQ3218
 GRID-SQ3320
 GRID-SQ3320F
 GRID-SQ3321
 GRID-SQ3420F
 GRID-SQ3621





BATHROOM
ACCESSORIES SERIES 04

VANITY CUPS



DAX - GDC060152

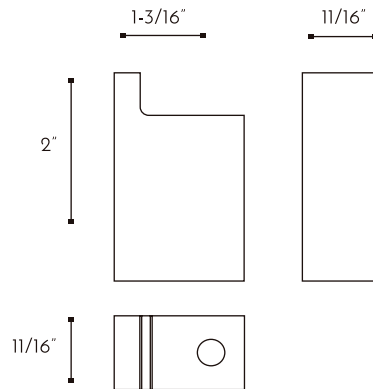
FEATURES

- Brass body
- Wall mount
- Glass shelf
- Frosted glass cup
- Mounting parts included

FINISH

- DAX-GDC060152-CR Chrome
- DAX-GDC060152-BN Brushed nickel

TOWEL HOLDERS



DAX - GDC060121

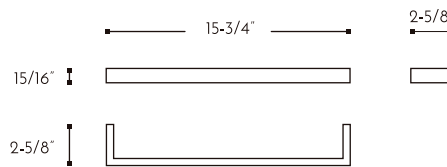
FEATURES

- Brass body
- Wall mount
- Mounting parts included

FINISH

- DAX-GDC060121-CR Chrome
- DAX-GDC060121-BN Brushed nickel

TOWEL BARS



DAX - GDC060166

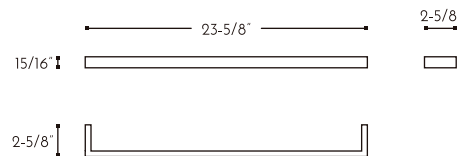
FEATURES

- Brass body
- Wall mount
- Mounting parts included

FINISH

- DAX-GDC060166-CR Chrome
- DAX-GDC060166-BN Brushed nickel

TOWEL BARS



DAX - GDC060167

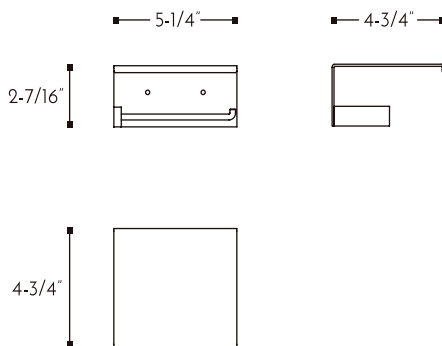
FEATURES

- Brass body
- Wall mount
- Mounting parts included

FINISH

- DAX-GDC060167-CR Chrome
- DAX-GDC060167-BN Brushed nickel

TOILET PAPER HOLDERS



DAX - GDC060159

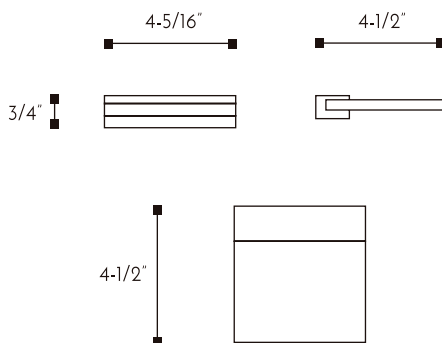
FEATURES

- Brass body
- Wall mount
- Mounting parts included

FINISH

- DAX-GDC060159-CR Chrome
- DAX-GDC060159-BN Brushed nickel

SOAP DISHES



DAX - GDC060132

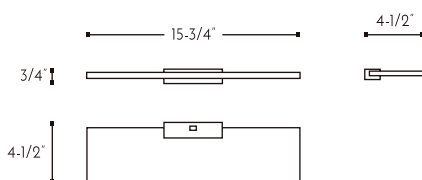
FEATURES

- Brass body
- Wall mount
- Glass shelf
- Mounting parts included

FINISH

- DAX-GDC060132-CR Chrome
- DAX-GDC060132-BN Brushed nickel

BATHROOM SHELVES



DAX - GDC060144

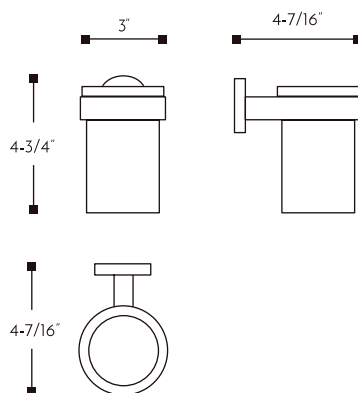
FEATURES

- Brass body
- Wall mount
- Glass shelf
- Mounting parts included

FINISH

- DAX-GDC060144-CR Chrome
- DAX-GDC060144-BN Brushed nickel

VANITY CUPS



DAX - GDC120152

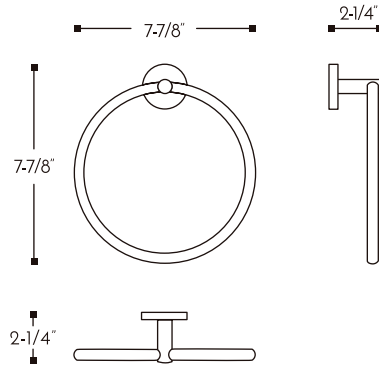
FEATURES

- Brass body
- Wall mount
- Frosted glass cup
- Mounting parts included

FINISH

- DAX-GDC120152-CR Chrome
- DAX-GDC120152-BN Brushed nickel

TOWEL RINGS



DAX - GDC120172

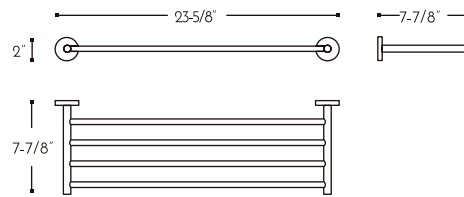
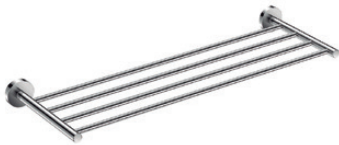
FEATURES

- Brass body
- Wall mount
- Mounting parts included

FINISH

- DAX-GDC120172-CR Chrome
- DAX-GDC120172-BN Brushed nickel

TOWEL RACKS



DAX - GDC120168

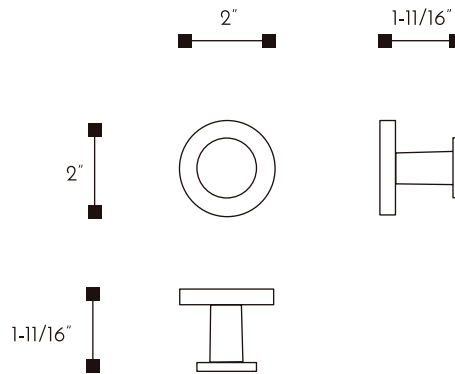
FEATURES

- Brass body
- Wall mount
- Mounting parts included

FINISH

- DAX-GDC120168-CR Chrome
- DAX-GDC120168-BN Brushed nickel

TOWEL HOLDERS



DAX - GDC120121

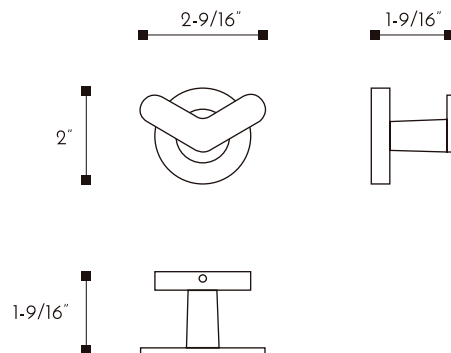
FEATURES

- Brass body
- Wall mount
- Mounting parts included

FINISH

- DAX-GDC120121-CR Chrome
- DAX-GDC120121-BN Brushed nickel

TOWEL HOLDERS



DAX - GDC120122

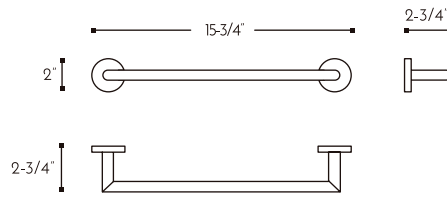
FEATURES

- Brass body
- Wall mount
- Mounting parts included

FINISH

- DAX-GDC120122-CR Chrome
- DAX-GDC120122-BN Brushed nickel

TOWEL BARS



DAX - GDC120164

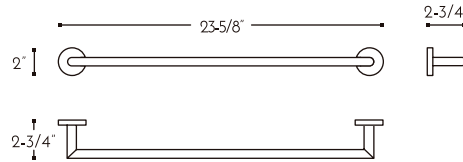
FEATURES

- Brass body
- Wall mount
- Mounting parts included

FINISH

- DAX-GDC120164-CR Chrome
- DAX-GDC120164-BN Brushed nickel

TOWEL BARS



DAX - GDC120165

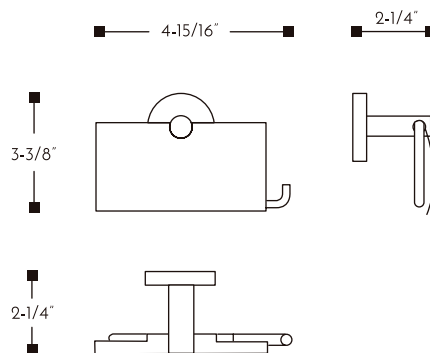
FEATURES

- Brass body
- Wall mount
- Mounting parts included

FINISH

- DAX-GDC120165-CR Chrome
- DAX-GDC120165-BN Brushed nickel

TOILET PAPER HOLDERS



DAX - GDC120159

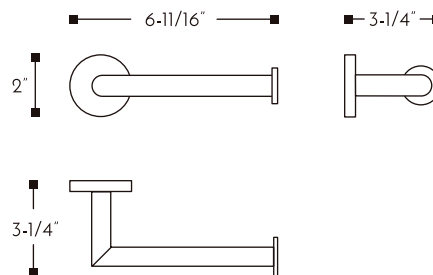
FEATURES

- Brass body
- Wall mount
- Mounting parts included

FINISH

- DAX-GDC120159-CR Chrome
- DAX-GDC120159-BN Brushed nickel

TOILET PAPER HOLDERS



DAX - GDC120156

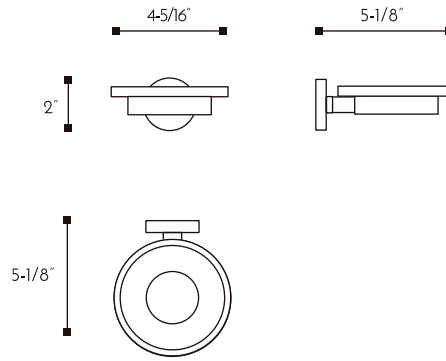
FEATURES

- Brass body
- Wall mount
- Mounting parts included

FINISH

- DAX-GDC120156-CR Chrome
- DAX-GDC120156-BN Brushed nickel

SOAP DISHES



DAX - GDC120132

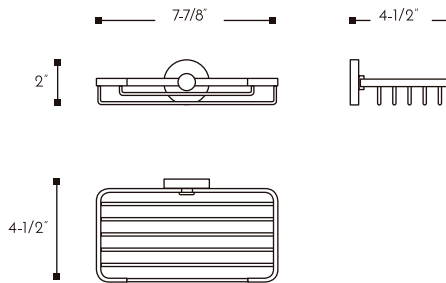
FEATURES

- Brass body
- Wall mount
- Frosted glass tray
- Mounting parts included

FINISH

- DAX-GDC120132-CR Chrome
- DAX-GDC120132-BN Brushed nickel

SOAP DISHES



DAX - GDC120130

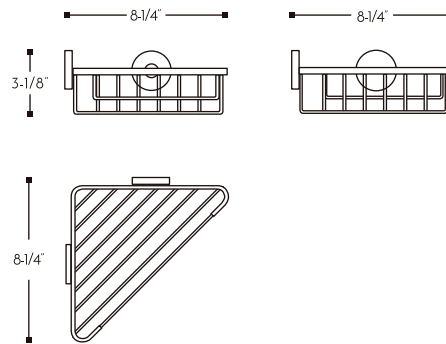
FEATURES

- Brass body
- Wall mount
- Mounting parts included

FINISH

- DAX-GDC120130-CR Chrome
- DAX-GDC120130-BN Brushed nickel

BATHROOM SHELVES



DAX - GDC120150

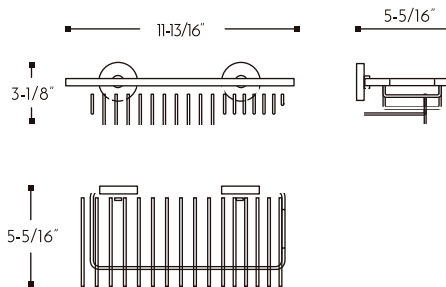
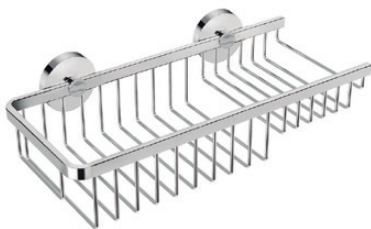
FEATURES

- Brass body
- Corner wall mount
- Mounting parts included

FINISH

- DAX-GDC120150-CR Chrome
- DAX-GDC120150-BN Brushed nickel

BATHROOM SHELVES



DAX - GDC120187

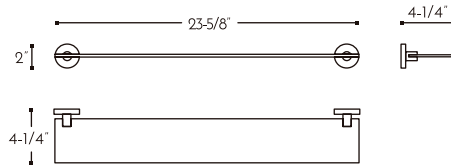
FEATURES

- Brass body
- Wall mount
- Mounting parts included

FINISH

- DAX-GDC120187-CR Chrome
- DAX-GDC120187-BN Brushed nickel

BATHROOM SHELVES



DAX - GDC120145

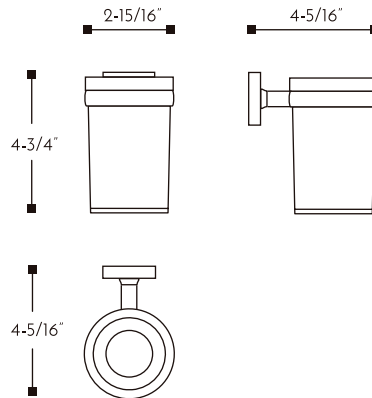
FEATURES

- Brass body
- Wall mount
- Glass shelf
- Mounting parts included

FINISH

- DAX-GDC120145-CR Chrome
- DAX-GDC120145-BN Brushed nickel

VANITY CUPS



DAX - GDC160152

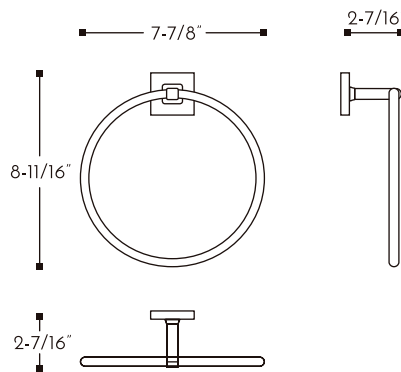
FEATURES

- Brass body
- Wall mount
- Frosted glass cup
- Mounting parts included

FINISH

- DAX-GDC160152-CR Chrome
- DAX-GDC160152-BN Brushed nickel

TOWEL RINGS



DAX - GDC160172

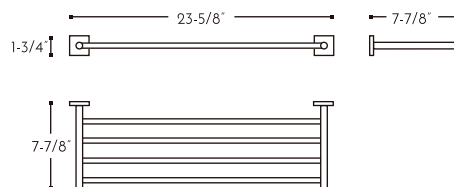
FEATURES

- Brass body
- Wall mount
- Mounting parts included

FINISH

- DAX-GDC160172-CR Chrome
- DAX-GDC160172-BN Brushed nickel

TOWEL RACKS



DAX - GDC160168

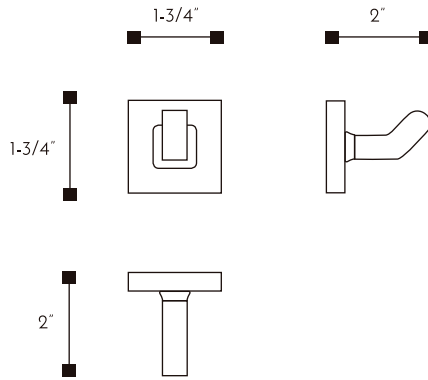
FEATURES

- Brass body
- Wall mount
- Mounting parts included

FINISH

- DAX-GDC160168-CR Chrome
- DAX-GDC160168-BN Brushed nickel

TOWEL HOLDERS



DAX - GDC160121

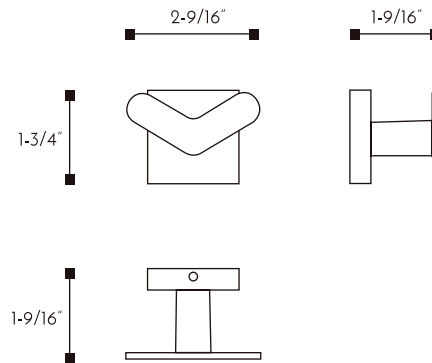
FEATURES

- Brass body
- Wall mount
- Mounting parts included

FINISH

- DAX-GDC160121-CR Chrome
- DAX-GDC160121-BN Brushed nickel

TOWEL HOLDERS



DAX - GDC160122

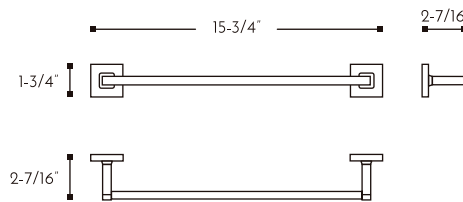
FEATURES

- Brass body
- Wall mount
- Mounting parts included

FINISH

- DAX-GDC160122-CR Chrome
- DAX-GDC160122-BN Brushed nickel

TOWEL BARS



DAX - GDC160164

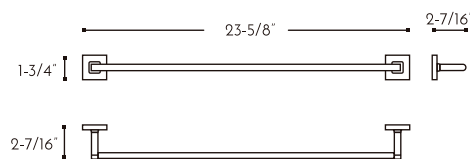
FEATURES

- Brass body
- Wall mount
- Mounting parts included

FINISH

- DAX-GDC160164-CR Chrome
- DAX-GDC160164-BN Brushed nickel

TOWEL BARS



DAX - GDC160165

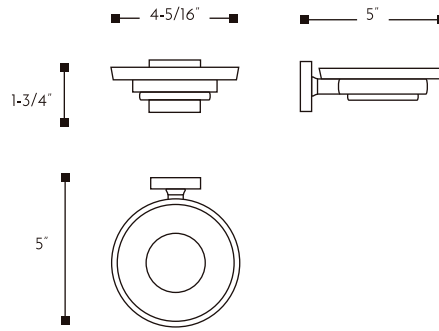
FEATURES

- Brass body
- Wall mount
- Mounting parts included

FINISH

- DAX-GDC160165-CR Chrome
- DAX-GDC160165-BN Brushed nickel

SOAP DISHES



DAX - GDC160132

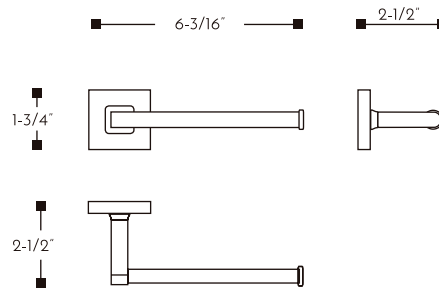
FEATURES

- Brass body
- Wall mount
- Frosted glass tray
- Mounting parts included

FINISH

- DAX-GDC160132-CR Chrome
- DAX-GDC160132-BN Brushed nickel

TOILET PAPER HOLDERS



DAX - GDC160156

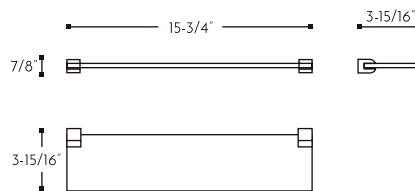
FEATURES

- Brass body
- Wall mount
- Mounting parts included

FINISH

- DAX-GDC160156-CR Chrome
- DAX-GDC160156-BN Brushed nickel

BATHROOM SHLEVES



DAX - GDC160144

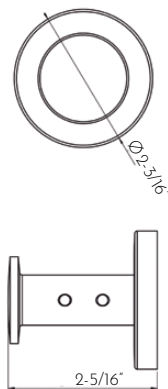
FEATURES

- Brass body
- Wall mount
- Glass shelf
- Mounting parts included

FINISH

- DAX-GDC160144-CR Chrome
- DAX-GDC160144-BN Brushed nickel

BATHROOM HOOKS



2353621

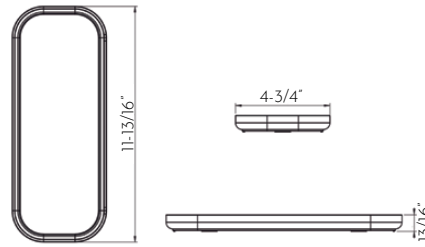
FEATURES

- Brass body
- Hook soft
- Mounting parts included

FINISH

- Matte Black

SOAP DISHES



2353433

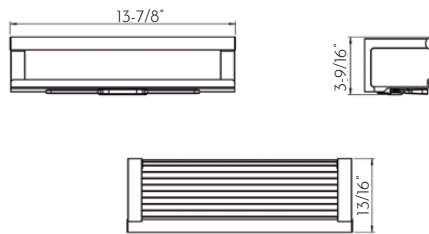
FEATURES

- PVC material
- Hook soft
- Mounting parts included

FINISH

- Matte Black

SOAP DISHES



2353648

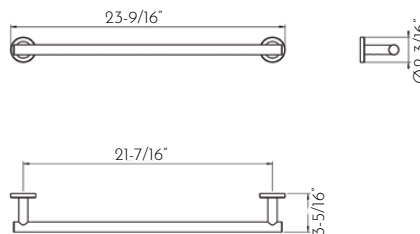
FEATURES

- Brass body
- Hook soft
- Mounting parts included

FINISH

- Matte Black

TOWEL RACKS



2353665

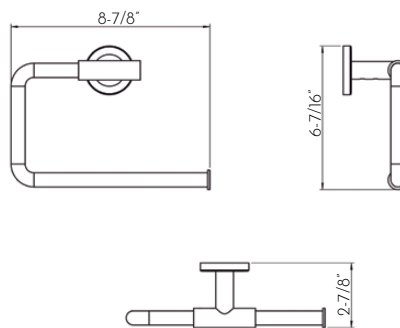
FEATURES

- Brass body
- Hook soft
- Mounting parts included

FINISH

- Matte Black

TOWEL RINGS



2353671

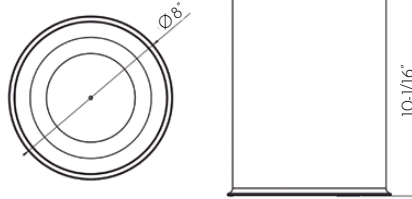
FEATURES

- Brass body
- Hook soft
- Mounting parts included

FINISH

- Matte Black

BATHROOM BINS



2773602

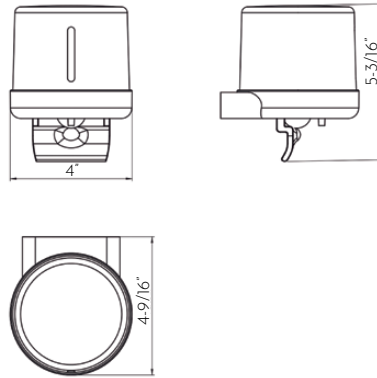
FEATURES

- Brass body
- Hook soft
- Mounting parts included

FINISH

- Matte Black

SOAP DISPENSER



2353603

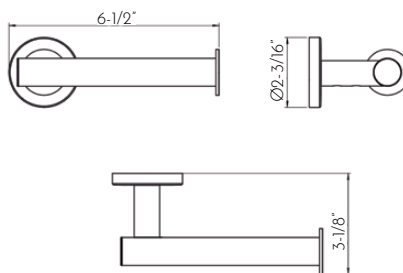
FEATURES

- Brass body
- Hook soft
- Mounting parts included

FINISH

- Matte Black

PAPER HOLDER



2353658

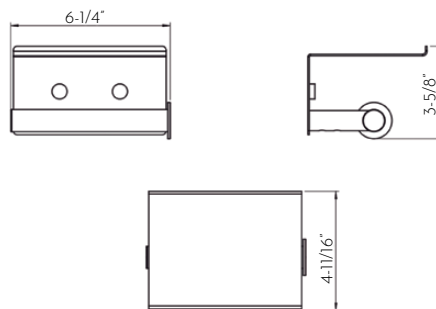
FEATURES

- Brass body
- Hook soft
- Mounting parts included

FINISH

- Matte Black

PAPER HOLDER



2353659

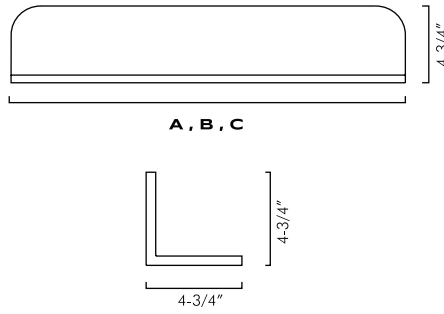
FEATURES

- Brass body
- Hook soft
- Mounting parts included

FINISH

- Matte Black

BATHROOM SHELVES



DAX - AB - 1560

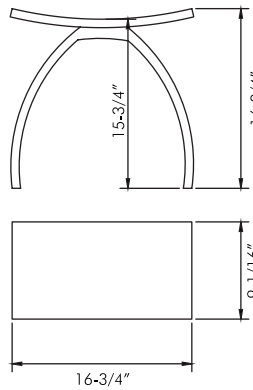
FEATURES

- Solid surface material
- Wall mount
- Hypoallergenic
- Mounting parts included
- Matte white finish

SIZES

- A. DAX-AB-1560-24 23-5/8" x 4-3/4"
- B. DAX-AB-1560-35 35-7/16" x 4-3/4"
- C. DAX-AB-1560-47 47-1/4" x 4-3/4"

SHOWER STOOLS

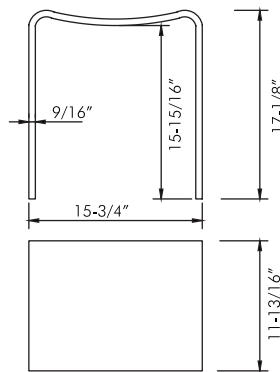


DAX - ST - 01

FEATURES

- Solid surface material
- Hypoallergenic
- Matte white finish

SHOWER STOOLS

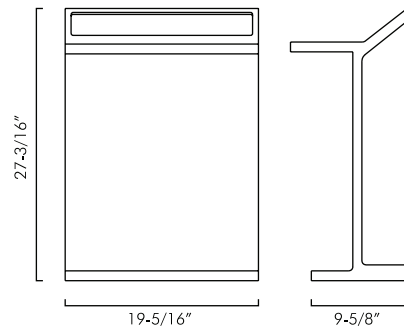


DAX - ST - 02

FEATURES

- Solid surface material
- Hypoallergenic
- Matte white finish

TOWEL STANDS

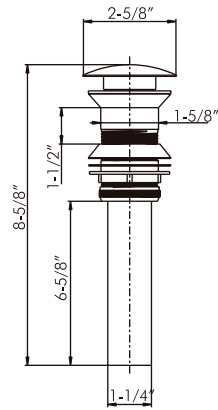


DAX - AB - 7461

FEATURES

- Solid surface material
- Hypoallergenic
- Matte white finish

POP UP DRAINS



DAX - 82005

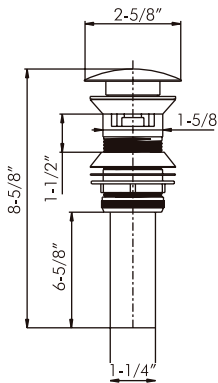
FEATURES

- Brass body
- Mounting parts included
- Without overflow

FINISH

- DAX-82005-CR Chrome
- DAX-82005-BN Brushed nickel

POP UP DRAINS



DAX - 82006

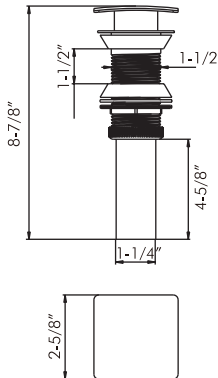
FEATURES

- Brass body
- Mounting parts included
- With overflow

FINISH

- DAX-82006-CR Chrome
- DAX-82006-BN Brushed nickel

POP UP DRAINS



DAX - 82010

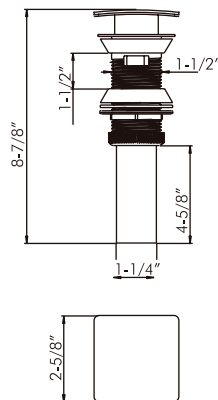
FEATURES

- Brass body
- Mounting parts included
- Without overflow

FINISH

- DAX-82010-CR Chrome
- DAX-82010-BN Brushed nickel

POP UP DRAINS



DAX - 82011

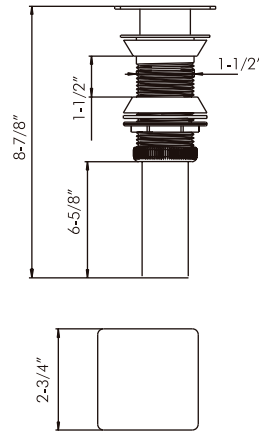
FEATURES

- Brass body
- Mounting parts included
- With overflow

FINISH

- DAX-82011-CR Chrome
- DAX-82011-BN Brushed nickel

POP UP DRAINS



DAX - 82012

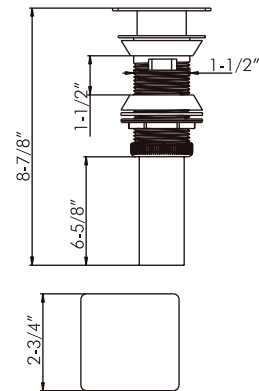
FEATURES

- Brass body
- Mounting parts included
- Without overflow

FINISH

- DAX-82012-CR Chrome
- DAX-82012-BN Brushed nickel

POP UP DRAINS



DAX - 82013

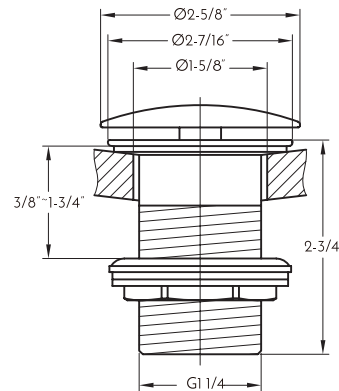
FEATURES

- Brass body
- Mounting parts included
- With overflow

FINISH

- DAX-82013-CR Chrome
- DAX-82013-BN Brushed nickel

POP UP DRAINS

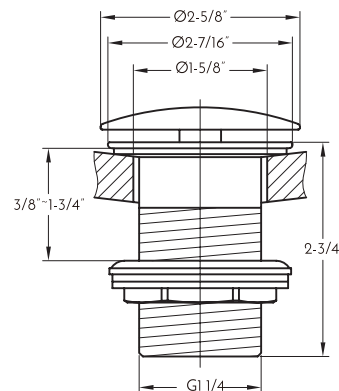


DAX - 82016-ORB

FEATURES

- Brass body
- Mounting parts included
- Without overflow
- ORB finish

POP UP DRAINS

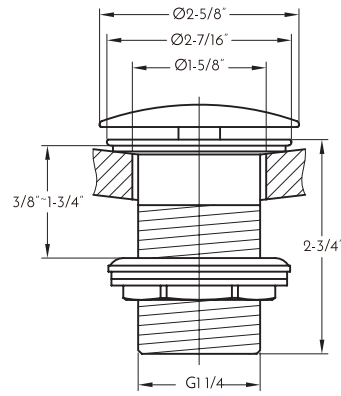


DAX - 82016-BL

FEATURES

- Brass body
- Mounting parts included
- Without overflow
- Black finish

POP UP DRAINS

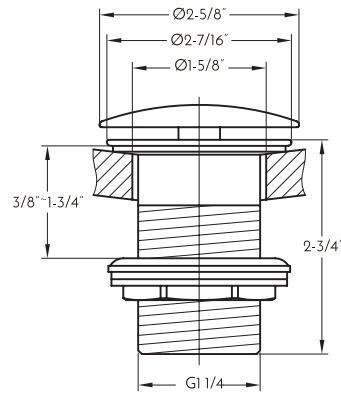


DAX - 82017-ORB

FEATURES

- Brass body
- Mounting parts included
- With overflow
- ORB finish

POP UP DRAINS

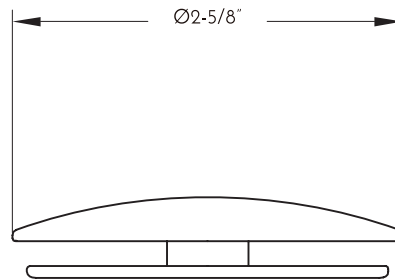


DAX - 82017-BL

FEATURES

- Brass body
- Mounting parts included With overflow
- Black finish

POP UP DRAINS



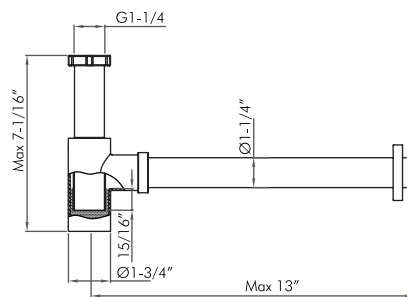
DAX - AB-82010

FEATURES

- Solid surface material
- Pop-up cover only
- Matte white finis

* To be use with any other round pop-up drain

SINK TRAPS



DAX - 010-01

FEATURES

- 304 stainless steel body

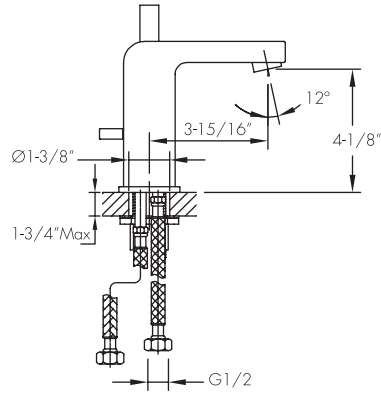
FINISH

- DAX - 010-01-CR
- DAX - 010-01-BN



05 BATHROOM
FAUCETS SERIES

VANITY FAUCETS

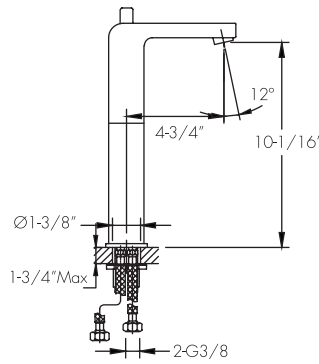


DAX - 8227

FEATURES

- Single Lever
- Ceramic cartridge
- Brass body
- Flow rate 1.5 GPM
- Installation hole 1-3/8"
- Chrome finish
- Hoses and mounting parts included
- Pop up drain not included (available)

VANITY FAUCETS

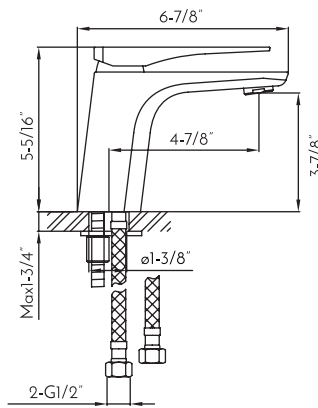


DAX - 8227B

FEATURES

- Single lever
- Vessel installation
- Ceramic cartridge
- Brass body
- Flow rate 1.5 GPM
- Installation hole 1-3/8"
- Chrome finish
- Hoses and mounting parts included
- Pop up drain not included (available)

VANITY FAUCETS

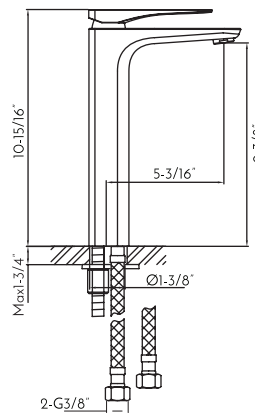


DAX - 805A-CW

FEATURES

- Single lever
- Ceramic cartridge
- Brass body
- Flow rate 1.16 GPM
- Installation hole 1-3/8"
- Chrome-white finish
- Hoses and mounting parts included
- Pop up drain not included (available)

VANITY FAUCETS

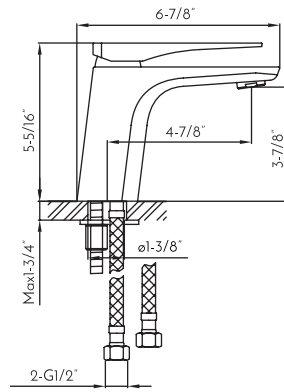


DAX - 805L-CW

FEATURES

- Single lever
- Vessel installation
- Ceramic cartridge
- Brass body
- Flow rate 1.16 GPM
- Installation hole 1-3/8"
- Chrome-white finish
- Hoses and mounting parts included
- Pop up drain not included (available)

VANITY FAUCETS

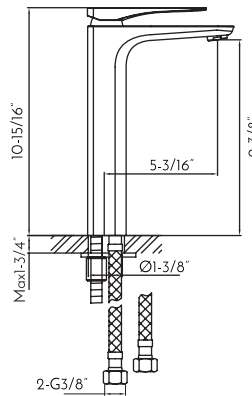
**DAX - 805A****FEATURES**

- Single lever
- Ceramic cartridge
- Brass body
- Flow rate 1.16 GPM
- Installation hole 1-3/8"
- Hoses and mounting parts included
- Pop up drain not included (available)

FINISH

- DAX-805A-CR Chrome
- DAX-805A-BN Brushed nickel

VANITY FAUCETS

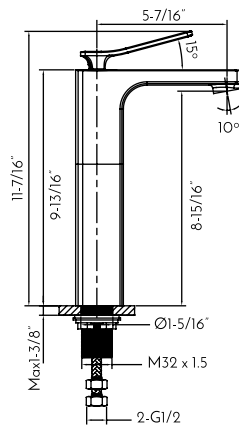
**DAX - 805L****FEATURES**

- Single lever
- Vessel installation
- Ceramic cartridge
- Brass body
- Flow rate 1.16 GPM
- Installation hole 1-3/8"
- Hoses and mounting parts included
- Pop up drain not included (available)

FINISH

- DAX-805L-CR Chrome
- DAX-805L-BN Brushed nickel

VANITY FAUCETS

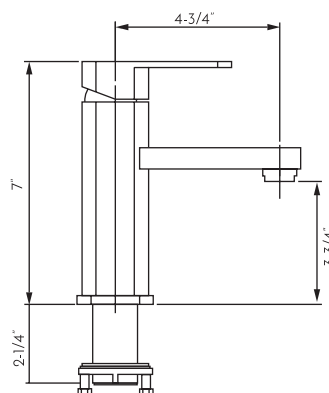
**DAX - 1295****FEATURES**

- Single lever
- Vessel installation
- Ceramic cartridge
- Brass body
- Flow rate 3.2 GPM
- Installation hole 1-3/8"
- Hoses and mounting parts included
- Pop up drain not included (available)

FINISH

- DAX-1295-CR Chrome
- DAX-1295-BN Brushed nickel

VANITY FAUCETS

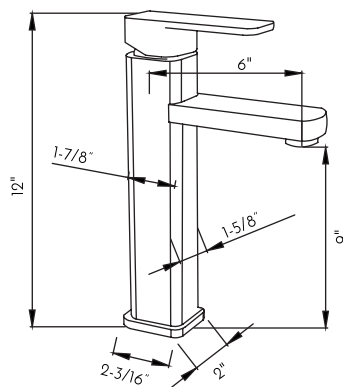
**DAX - 6941A****FEATURES**

- Single lever
- Ceramic cartridge
- Brass Body
- Flow rate 2.2 GPM
- Installation hole 1-3/8"
- Hoses and mounting parts included
- Pop up drain not included (available)

FINISH

- DAX-6941A-CR Chrome
- DAX-6941A-BN Brushed nickel
- DAX-6941A-BL Matte black

VANITY FAUCETS



DAX - 6941B

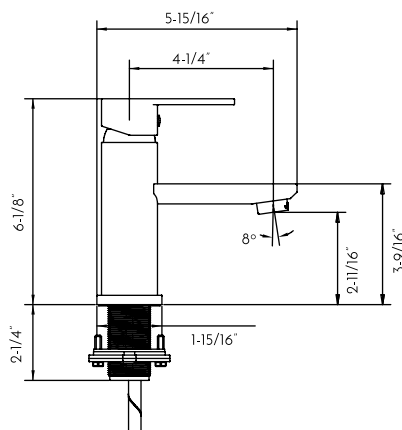
FEATURES

- Single lever
- Vessel installation
- Ceramic cartridge
- Brass body
- Flow rate 2.2 GPM
- Installation hole 1-3/8"
- Hoses and mounting parts included
- Pop up drain not included (available)

FINISH

- DAX-6941B-CR Chrome
- DAX-6941B-BN Brushed nickel
- DAX-6941B-BL Matte black

VANITY FAUCETS



DAX - 8510

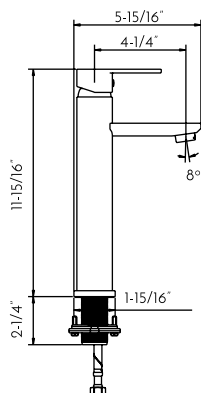
FEATURES

- Single lever
- Ceramic cartridge
- Brass body
- Flow rate 2 GPM
- Installation hole 1-3/8"
- Hoses and mounting parts included
- Pop up drain not included (available)

FINISH

- DAX-8510-CR Chrome
- DAX-8510-BN Brushed nickel

VANITY FAUCETS



DAX - 8510B

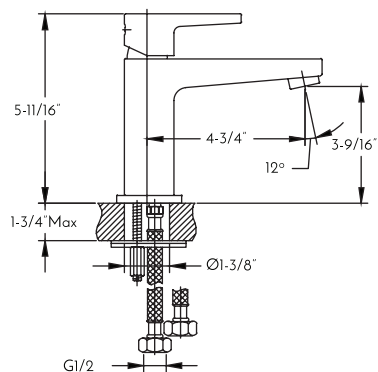
FEATURES

- Single lever
- Vessel installation
- Ceramic cartridge
- Brass body
- Flow rate 2 GPM
- Installation hole 1-3/8"
- Hoses and mounting parts included
- Pop up drain not included (available)

FINISH

- DAX-8510B-CR Chrome
- DAX-8510B-BN Brushed nickel

VANITY FAUCETS

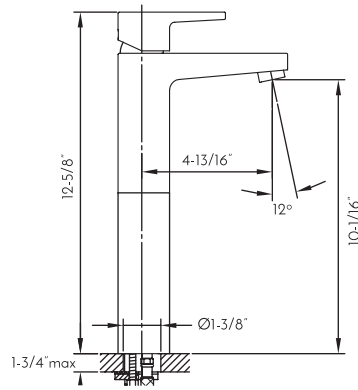


DAX - 8209

FEATURES

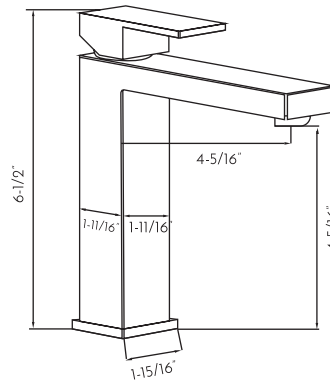
- Single lever
- Ceramic cartridge
- Brass body
- Flow rate 1.2 GPM
- Installation hole 1-3/8"
- Chrome finish
- Hoses and mounting parts included
- Pop up drain not included (available)

VANITY FAUCETS

**DAX - 8269B****FEATURES**

- Single lever
- Vessel installation
- Ceramic cartridge
- Brass body
- Flow rate 1.2 GPM
- Installation hole 1-3/8"
- Chrome finish
- Hoses and mounting parts included
- Pop up drain not included (available)

VANITY FAUCETS

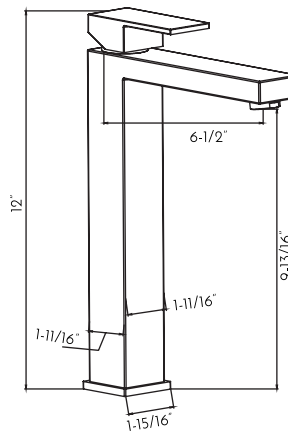
**DAX - 6951A****FEATURES**

- Single lever
- Ceramic cartridge
- Brass body
- Flow rate 2.2 GPM
- Installation hole 1-3/8"
- Hoses and mounting parts included
- Pop up drain not included (available)

FINISH

- DAX-6951A-CR Chrome
- DAX-6951A-BN Brushed nickel

VANITY FAUCETS

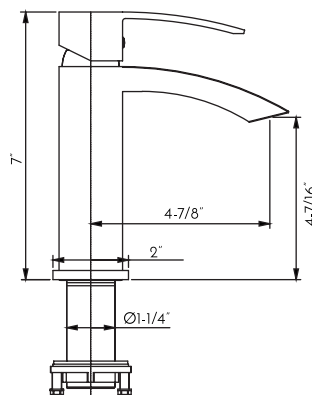
**DAX - 6951B****FEATURES**

- Single lever
- Vessel installation
- Ceramic cartridge
- Brass body
- Flow rate 2.2 GPM
- Installation hole 1-3/8"
- Hoses and mounting parts included
- Pop up drain not included (available)

FINISH

- DAX-6951B-CR Chrome
- DAX-6951B-BN Brushed nickel

VANITY FAUCETS

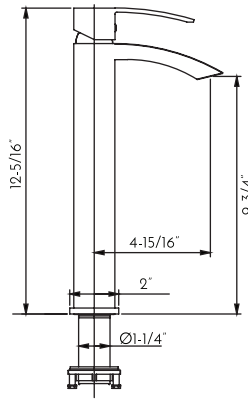
**DAX - 6690A****FEATURES**

- Single lever
- Ceramic cartridge
- Brass body
- Flow rate 2.2 GPM
- Installation hole 1-3/8"
- Hoses and mounting parts included
- Pop up drain not included (available)

FINISH

- DAX-6690A-CR Chrome
- DAX-6690A-BN Brushed nickel

VANITY FAUCETS



DAX - 6690B

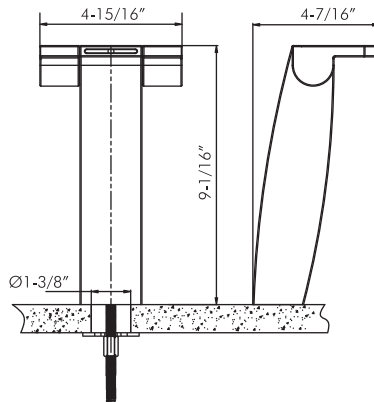
FEATURES

- Single lever
- Vessel installation
- Ceramic cartridge
- Brass body
- Flow rate 2.2 GPM
- Installation hole 1-3/8"
- Hoses and mounting parts included
- Pop up drain not included (available)

FINISH

- DAX-6941B-CR Chrome
- DAX-6941B-BN Brushed nickel

VANITY FAUCETS

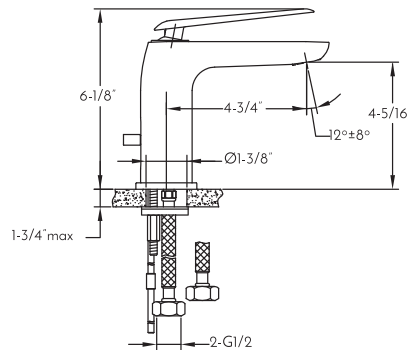


DAX - O271

FEATURES

- Single lever
- Vessel installation
- Ceramic cartridge
- Brass body
- Flow rate 1.5 GPM
- Installation hole 1-3/8"
- Chrome finish
- Hoses and mounting parts included
- Pop up drain not included (available)

VANITY FAUCETS

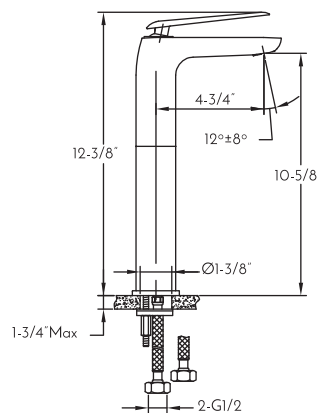


DAX - 8206

FEATURES

- Single lever
- Ceramic cartridge
- Brass body
- Flow rate 1.2 GPM
- Installation hole 1-3/8"
- Chrome finish
- Hoses and mounting parts included
- Pop up drain not included (available)

VANITY FAUCETS

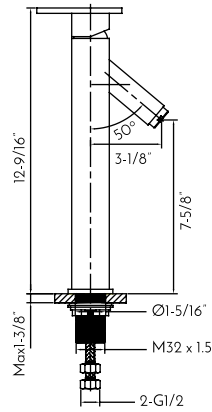


DAX - 8206B

FEATURES

- Single lever
- Vessel installation
- Ceramic cartridge
- Brass body
- Flow rate 1.2 GPM
- Installation hole 1-3/8"
- Chrome finish
- Hoses and mounting parts included
- Pop up drain not included (available)

VANITY FAUCETS

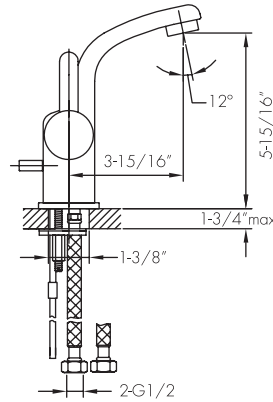


DAX - 1282

FEATURES

- Single lever
- Vessel installation
- Ceramic cartridge
- Brass body
- Flow rate 1.2 GPM
- Installation hole 1-3/8"
- Chrome finish
- Hoses and mounting parts included
- Pop up drain not included (available)

VANITY FAUCETS

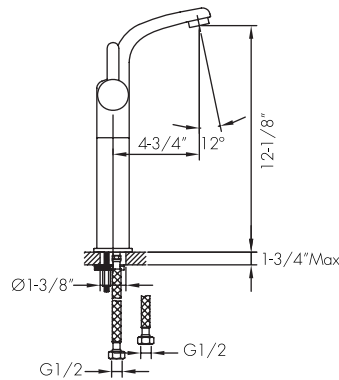


DAX - 8260-CR

FEATURES

- Single Lever
- Ceramic cartridge
- Brass body
- Flow rate 1.2 GPM
- Installation hole 1-3/8"
- Chrome finish
- Hoses and mounting parts included
- Pop up drain not included (available)

VANITY FAUCETS

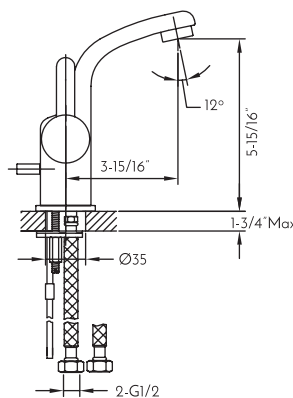


DAX - 8220B-CR

FEATURES

- Single Lever
- Vessel installation
- Ceramic cartridge
- Brass body
- Flow rate 1.2 GPM
- Installation hole 1-3/8"
- Chrome finish
- Hoses and mounting parts included
- Pop up drain not included (available)

VANITY FAUCETS

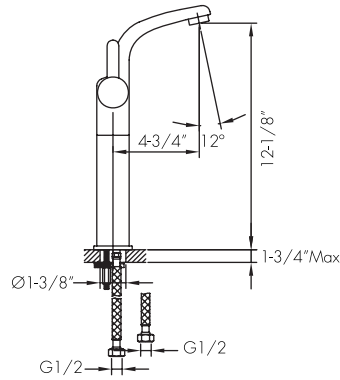


DAX - 8260-BL

FEATURES

- Single Lever
- Ceramic cartridge
- Brass body
- Flow rate 1.2 GPM
- Installation hole 1-3/8"
- Matte black finish
- Hoses and mounting parts included
- Pop up drain not included (available)

VANITY FAUCETS

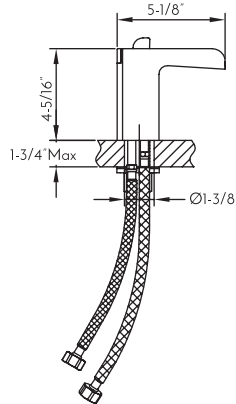


DAX - 8220B-BL

FEATURES

- Single Lever
- Vessel installation
- Ceramic cartridge
- Brass body
- Flow rate 1.2 GPM
- Installation hole 1-3/8"
- Matte black finish
- Hoses and mounting parts included
- Pop up drain not included (available)

VANITY FAUCETS

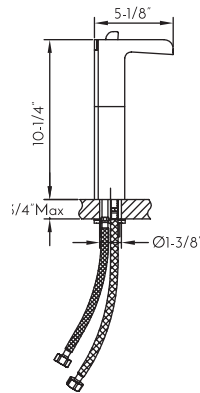


DAX - 9825

FEATURES

- Single Lever
- Ceramic cartridge
- Brass body
- Flow rate 1.2 GPM
- Installation hole 1-3/8"
- Chrome finish
- Hoses and mounting parts included
- Pop up drain included

VANITY FAUCETS

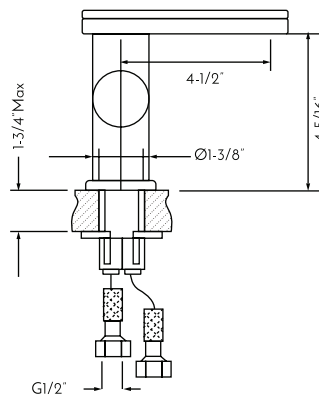


DAX - 9825B

FEATURES

- Single Lever
- Vessel installation
- Ceramic cartridge
- Brass body
- Flow rate 1.2 GPM
- Installation hole 1-3/8"
- Chrome finish
- Hoses and mounting parts included
- Pop up drain included

VANITY FAUCETS

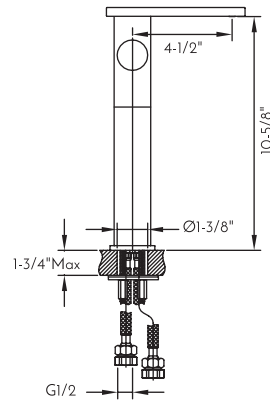


DAX - 9888

FEATURES

- Single Lever
- Ceramic cartridge
- Brass body
- Flow rate 1.2 GPM
- Installation hole 1-3/8"
- Chrome finish
- Hoses and mounting parts included
- Pop up drain not included (available)

VANITY FAUCETS

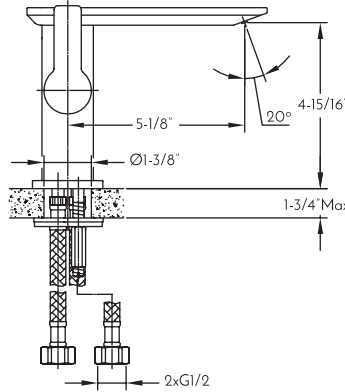


DAX - 9888B

FEATURES

- Single Lever
- Vessel installation
- Ceramic cartridge
- Brass body
- Flow rate 1.2 GPM
- Installation hole 1-3/8"
- Chrome finish
- Hoses and mounting parts included
- Pop up drain not included (available)

VANITY FAUCETS



DAX - 8205

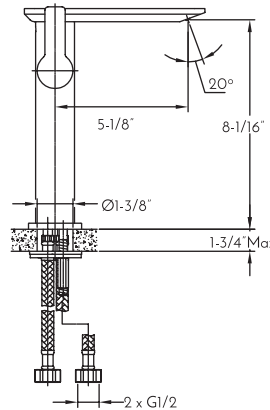
FEATURES

- Single Lever
- Ceramic cartridge
- Brass body
- Installation hole 1-3/8"
- Hoses and mounting parts included
- Pop up drain not included (available)

FINISH

- DAX-8205-CR Chrome
- DAX-8205-BN Brushed nickel

VANITY FAUCETS



DAX - 8205A

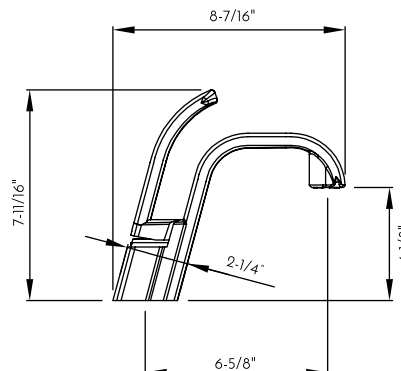
FEATURES

- Single Lever
- Vessel installation
- Ceramic cartridge
- Brass body
- Installation hole 1-3/8"
- Hoses and mounting parts included
- Pop up drain not included (available)

FINISH

- DAX-8205A-CR Chrome
- DAX-8205A-BN Brushed nickel

VANITY FAUCETS

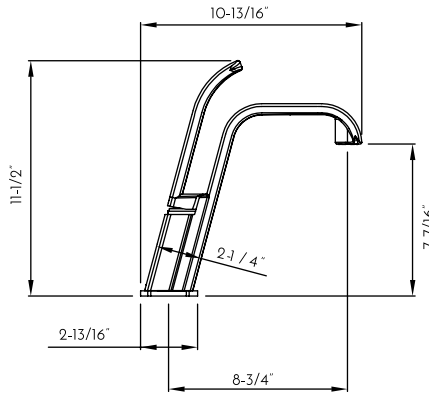


DAX - C011-O2

FEATURES

- Single Lever
- Ceramic cartridge
- Stainless steel body
- Flow rate 1.5 GPM
- Installation hole 1-3/8"
- Brushed Stainless Steel finish
- Hoses and mounting parts included
- Pop up drain not included (available)

VANITY FAUCETS

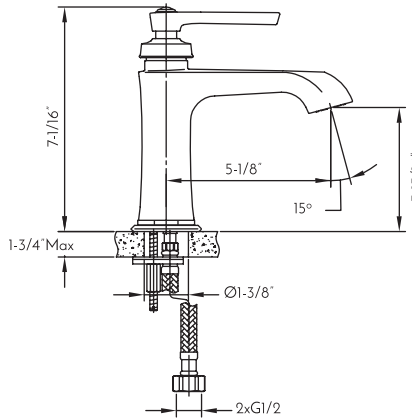


DAX - C011-01

FEATURES

- Single Lever
- Vessel installation
- Ceramic cartridge
- Stainless steel body
- Flow rate 1.5 GPM
- Installation hole 1-3/8"
- Brushed Stainless Steel finish
- Hoses and mounting parts included
- Pop up drain not included (available)

VANITY FAUCETS

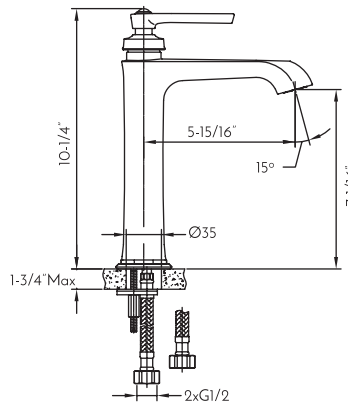


DAX - 9809-ORB

FEATURES

- Single Lever
- Ceramic cartridge
- Brass body
- Installation hole 1-3/8"
- ORB finish
- Hoses and mounting parts included
- Pop up drain not included (available)

VANITY FAUCETS

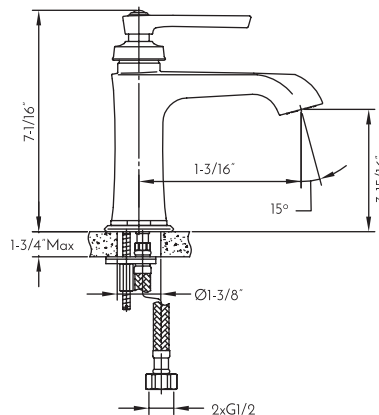


DAX - 9809A-ORB

FEATURES

- Single Lever
- Vessel installation
- Ceramic cartridge
- Brass body
- Installation hole 1-3/8"
- ORB finish
- Hoses and mounting parts included
- Pop up drain not included (available)

VANITY FAUCETS

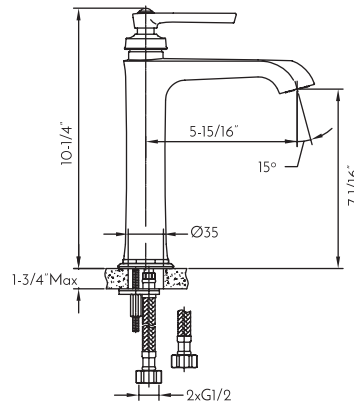


DAX - 9809-CR

FEATURES

- Single Lever
- Ceramic cartridge
- Brass body
- Installation hole 1-3/8"
- Chrome finish
- Hoses and mounting parts included
- Pop up drain not included (available)

VANITY FAUCETS

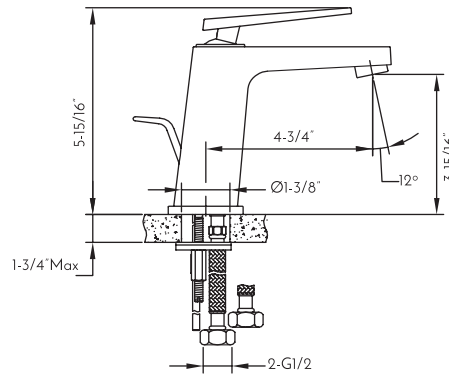


DAX - 9809A-CR

FEATURES

- Single Lever
- Vessel installation
- Ceramic cartridge
- Brass body
- Installation hole 1-3/8"
- Chrome finish
- Hoses and mounting parts included
- Pop up drain not included (available)

VANITY FAUCETS

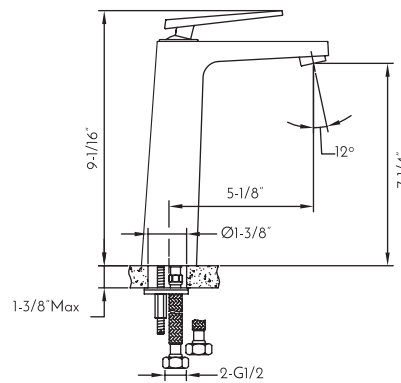


DAX - 9802

FEATURES

- Single Lever
- Ceramic cartridge
- Brass body
- Flow rate 1.2 GPM
- Installation hole 1-3/8"
- Chrome finish
- Hoses and mounting parts included
- Pop up drain not included (available)

VANITY FAUCETS

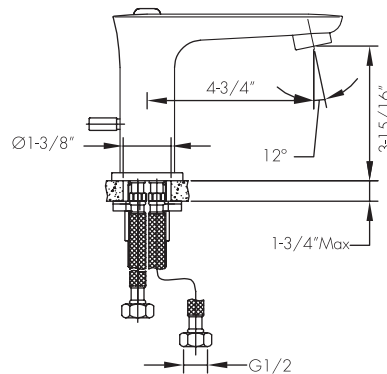


DAX - 9802A

FEATURES

- Single Lever
- Vessel installation
- Ceramic cartridge
- Brass body
- Flow rate 1.2 GPM
- Installation hole 1-3/8"
- Chrome finish
- Hoses and mounting parts included
- Pop up drain not included (available)

VANITY FAUCETS

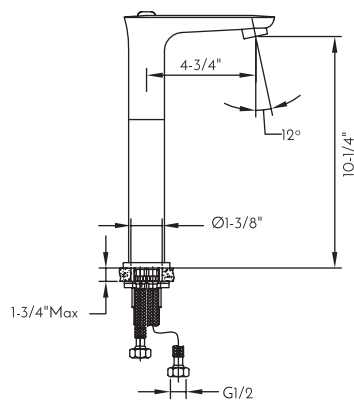


DAX - 9883

FEATURES

- Single Lever
- Vessel installation
- Ceramic cartridge
- Brass body
- Flow rate 1.2 GPM
- Installation hole 1-3/8"
- Chrome finish
- Hoses and mounting parts included
- Pop up drain not included (available)

VANITY FAUCETS

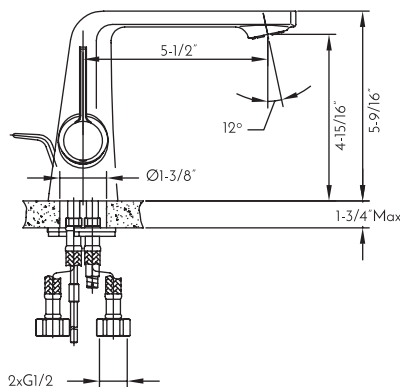


DAX - 9883B

FEATURES

- Single Lever
- Vessel installation
- Ceramic cartridge
- Brass body
- Flow rate 1.2 GPM
- Installation hole 1-3/8"
- Chrome finish
- Hoses and mounting parts included
- Pop up drain not included (available)

VANITY FAUCETS



DAX - 8226

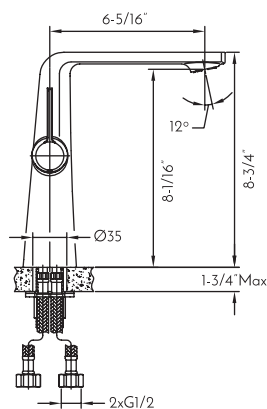
FEATURES

- Single Lever
- Ceramic cartridge
- Brass body
- Installation hole 1-3/8"
- Hoses and mounting parts included
- Pop up drain not included (available)

FINISH

- DAX-8226-CR Chrome
- DAX-8226-BN Brushed nickel

VANITY FAUCETS



DAX - 8226A

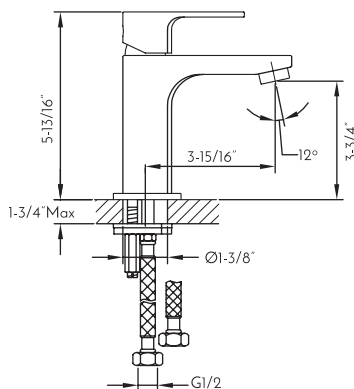
FEATURES

- Single Lever
- Vessel installation
- Ceramic cartridge
- Brass body
- Installation hole 1-3/8"
- Hoses and mounting parts included
- Pop up drain not included (available)

FINISH

- DAX-8226A-CR Chrome
- DAX-8226A-BN Brushed nickel

VANITY FAUCETS

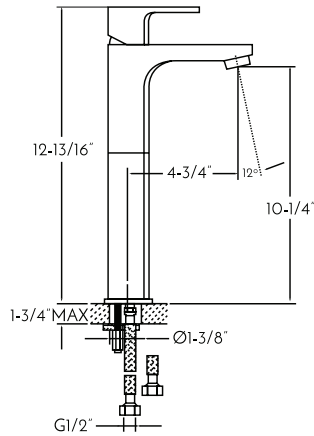


DAX - 9829

FEATURES

- Single Lever
- Ceramic cartridge
- Brass body
- Flow rate 1.2 GPM
- Installation hole 1-3/8"
- Chrome finish
- Hoses and mounting parts included
- Pop up drain not included (available)

VANITY FAUCETS

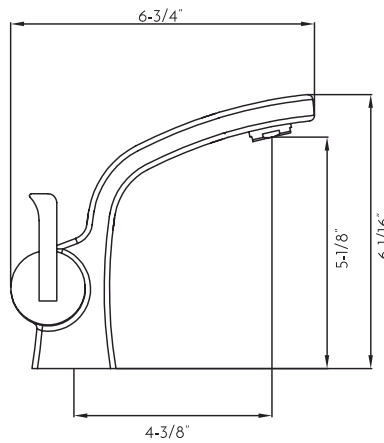


DAX - 9889B

FEATURES

- Single Lever
- Vessel installation
- Ceramic cartridge
- Brass body
- Flow rate 1.2 GPM
- Installation hole 1-3/8"
- Chrome finish
- Hoses and mounting parts included
- Pop up drain not included (available)

VANITY FAUCETS

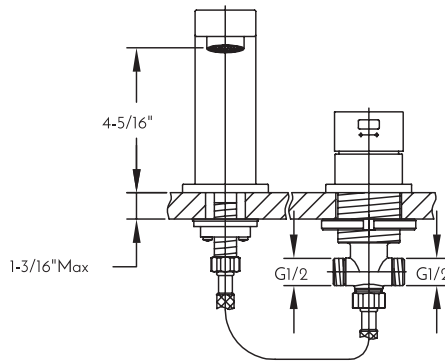


DAX - 010-05

FEATURES

- Single Lever
- Ceramic cartridge
- Stainless steel body
- Flow rate 1.5 GPM
- Installation hole 1-3/8"
- Brushed Stainless Steel finish
- Hoses and mounting parts included
- Pop up drain not included (available)

VANITY FAUCETS

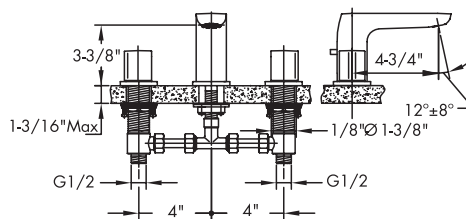


DAX - 8127

FEATURES

- Single Lever
- Ceramic cartridge
- Brass body
- Flow rate 1.2 GPM
- Installation hole 1-3/8"
- Chrome finish
- Hoses and mounting parts included
- Pop up drain not included (available)

VANITY FAUCETS

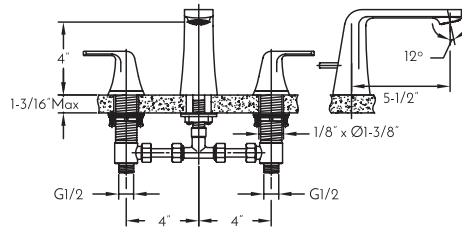


DAX - 8216C

FEATURES

- Two Handles
- Ceramic cartridge
- Brass body
- Flow rate 1.2 GPM
- Installation hole 1-3/8"
- Chrome finish
- Hoses and mounting parts included
- Pop up drain not included (available)

VANITY FAUCETS

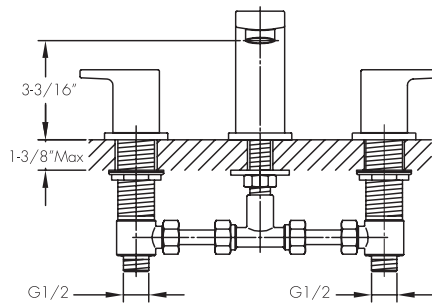


DAX - 8236C

FEATURES

- Single Lever
- Vessel installation
- Ceramic cartridge
- Brass body
- Flow rate 1.2 GPM
- Installation hole 1-3/8"
- Chrome finish
- Hoses and mounting parts included
- Pop up drain not included (available)

VANITY FAUCETS

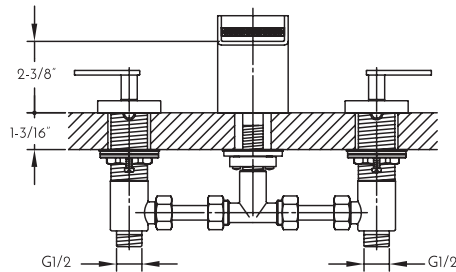


DAX - 8239C

FEATURES

- Two Handles
- Ceramic cartridge
- Brass body
- Flow rate 1.2 GPM
- Installation hole 1-3/8"
- Chrome finish
- Hoses and mounting parts included
- Pop up drain not included (available)

VANITY FAUCETS

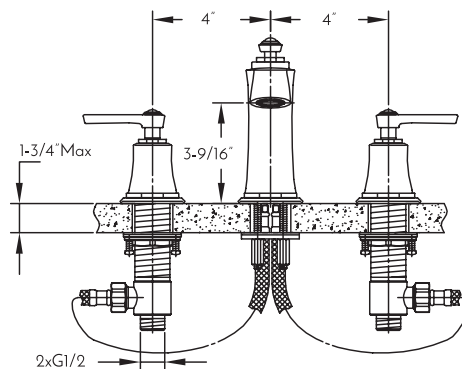


DAX - 8255C

FEATURES

- Two Handles
- Ceramic cartridge
- Brass body
- Flow rate 1.2 GPM
- Installation hole 1-3/8"
- Chrome finish
- Hoses and mounting parts included
- Pop up drain not included (available)

VANITY FAUCETS

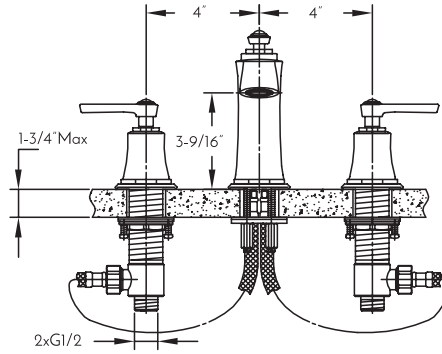


DAX - 8259AC-CR

FEATURES

- Two Handles
- Ceramic cartridge
- Brass body
- Flow rate 2.1 GPM
- Installation hole 1-3/8"
- Chrome finish
- Hoses and mounting parts included
- Pop up drain not included (available)

VANITY FAUCETS

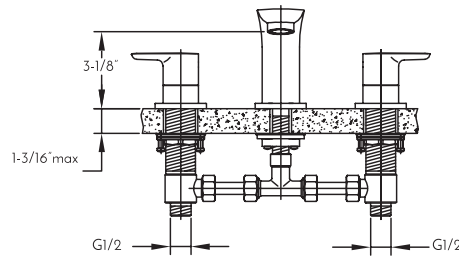


DAX - 8259AC-ORB

FEATURES

- Two Handles
- Ceramic cartridge
- Brass body
- Flow rate 2.1 GPM
- Installation hole 1-3/8"
- ORB finish
- Hoses and mounting parts included
- Pop up drain not included (available)

VANITY FAUCETS

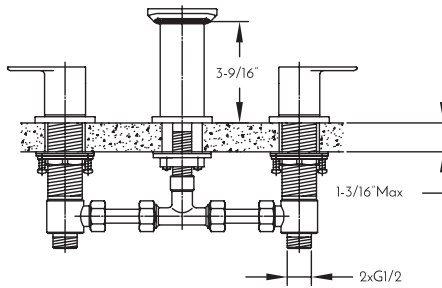


DAX - 8273C

FEATURES

- Two Handles
- Ceramic cartridge
- Brass body
- Flow rate 1.2 GPM
- Installation hole 1-3/8"
- Chrome finish
- Hoses and mounting parts included
- Pop up drain not included (available)

VANITY FAUCETS



DAX - 8275C

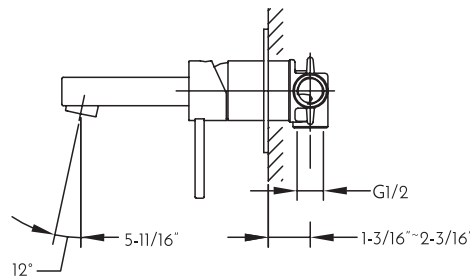
FEATURES

- Two Handles
- Ceramic cartridge
- Brass body
- Flow rate 1 GPM
- Installation hole 1-3/8"
- Hoses and mounting parts included
- Pop up drain not included (available)

FINISH

- DAX-8275C-CR Chrome
- DAX-8275C-BN Brushed nickel

VANITY FAUCETS

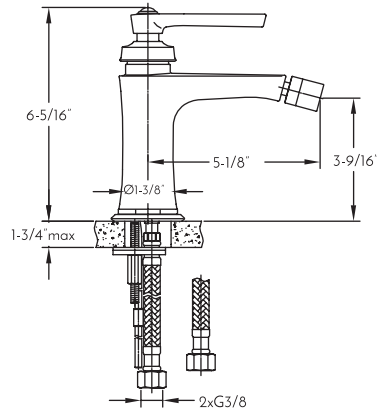


DAX - 8287

FEATURES

- Single Lever
- Wall mount
- Ceramic cartridge
- Brass body
- Chrome finish
- Hoses and mounting parts included
- Pop up drain not included (available)

BIDET FAUCETS

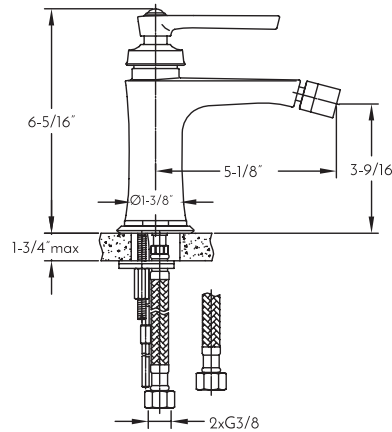


DAX - 8509-CR

FEATURES

- Single Lever
- Swiveling spout
- Ceramic cartridge
- Brass body
- Installation hole 1-3/8"
- Chrome finish
- Hoses and mounting parts included
- Pop up drain not included (available)

BIDET FAUCETS

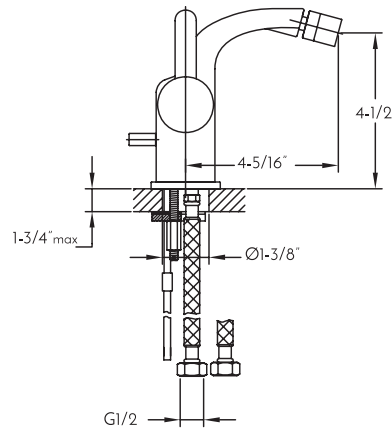


DAX - 8509-ORB

FEATURES

- Single Lever
- Swiveling spout
- Ceramic cartridge
- Brass body
- Installation hole 1-3/8"
- ORB finish
- Hoses and mounting parts included
- Pop up drain not included (available)

BIDET FAUCETS

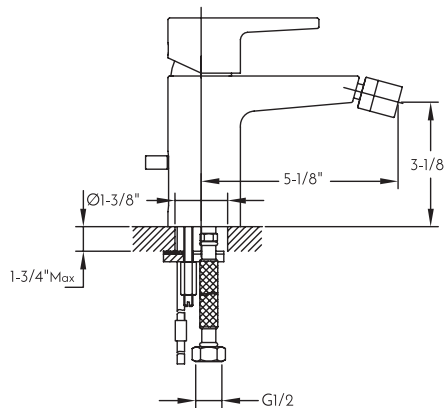


DAX - 8560-BL

FEATURES

- Single Lever
- Swiveling spout
- Ceramic cartridge
- Brass body
- Installation hole 1-3/8"
- Matte black finish
- Hoses and mounting parts included
- Pop up drain not included (available)

BIDET FAUCETS

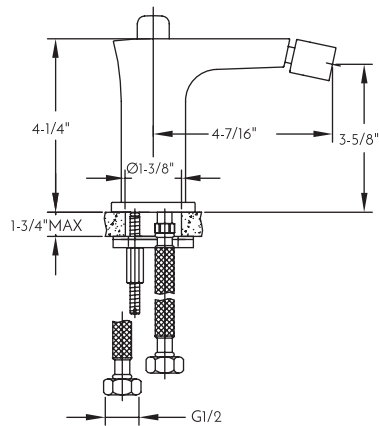


DAX - 8569-CR

FEATURES

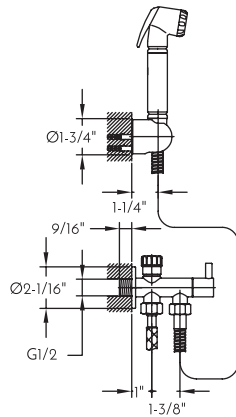
- Single Lever
- Swiveling spout
- Ceramic cartridge
- Brass body
- Flow rate 1.2 GPM
- Installation hole 1-3/8"
- Chrome finish
- Hoses and mounting parts included
- Pop up drain not included (available)

BIDET FAUCETS

**DAX - 8583-CR****FEATURES**

- Single Lever
- Swiveling spout
- Ceramic cartridge
- Brass body
- Flow rate 1.2 GPM
- Installation hole 1-3/8"
- Chrome finish
- Hoses and mounting parts included
- Pop up drain not included (available)

BIDET FAUCETS

**DAX - 9317C****FEATURES**

- Single Lever
- Wall mount
- Ceramic cartridge
- Brass body
- Installation hole 1-3/8"
- Chrome finish
- ABS Shower holder
- Hoses and mounting parts included
- Pop up drain not included (available)

FINISH

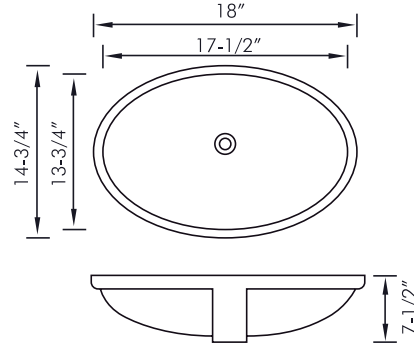
- DAX-9317C-CR Chrome
- DAX-9317C-BN Brushed nickel

DAX - 805A-CW



BATHROOM
SINKS SERIES 06

CERAMIC UNDERMOUNT SINKS

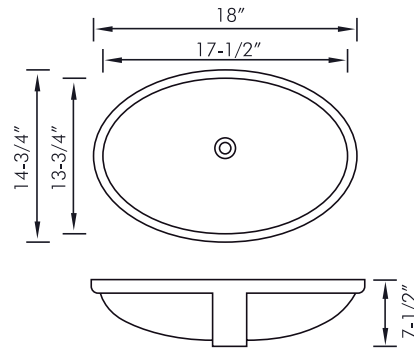


BSN - 205B-1

FEATURES

- Ceramic material
- Ivory gloss finish
- Overflow
- Overflow chrome ring included
- Pop up drain not included (available)
- Undermount installation
- Size W 18" x H 14-3/4" x D 7-1/2"

CERAMIC UNDERMOUNT SINKS

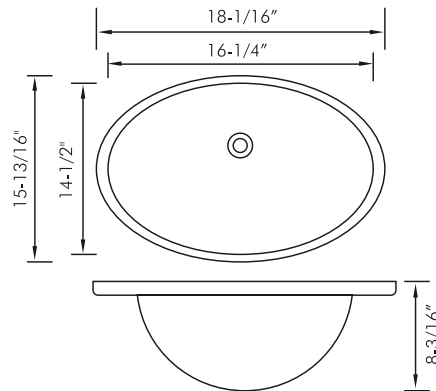


BSN - 205B-W

FEATURES

- Ceramic material
- White gloss finish
- Overflow
- Overflow chrome ring included
- Pop up drain not included (available)
- Undermount installation
- Size W 18" x H 14-3/4" x D 7-1/2"

CERAMIC UNDERMOUNT SINKS

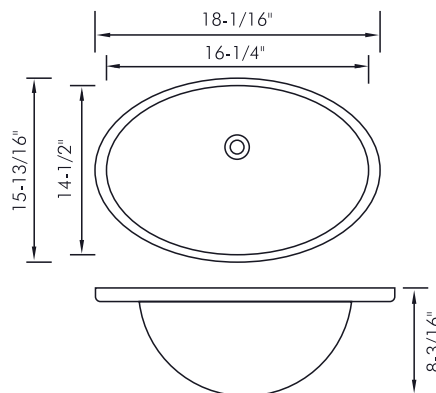


BSN - 101

FEATURES

- Ceramic material
- Ivory gloss finish
- Overflow
- Overflow chrome ring included
- Pop up drain not included (available)
- Undermount installation
- Size W 18-1/16" x H 15-13/16" x D 8-3/16"

CERAMIC UNDERMOUNT SINKS

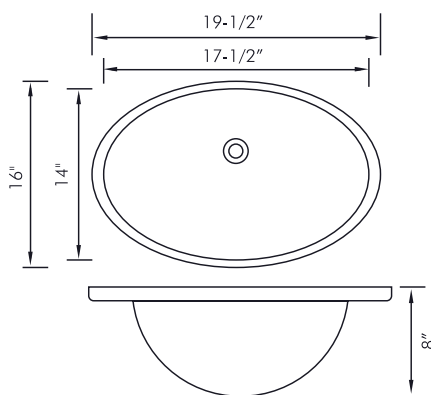


BSN - 100

FEATURES

- Ceramic material
- White gloss finish
- Overflow
- Overflow chrome ring included
- Pop up drain not included (available)
- Undermount installation
- Size W 18-1/16" x H 15-13/16" x D 8-3/16"

CERAMIC UNDERMOUNT SINKS

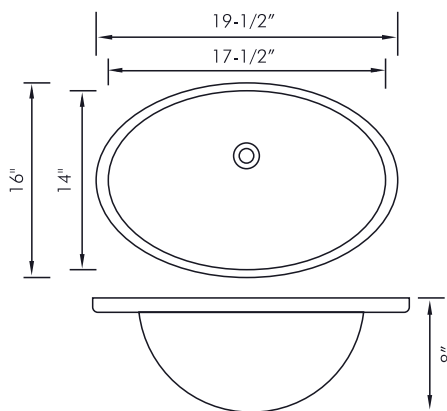


BSN - 201

FEATURES

- Ceramic material
- Ivory gloss finish
- Overflow
- Overflow chrome ring included
- Pop up drain not included (available)
- Undermount installation
- Size W 19-1/2" x H 16" x D 8"

CERAMIC UNDERMOUNT SINKS

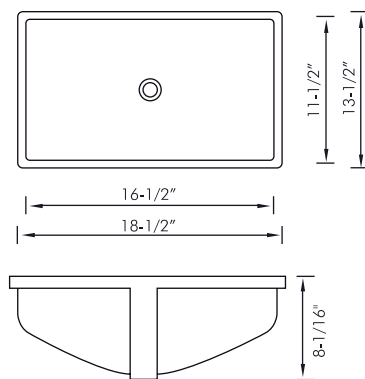


BSN - 200

FEATURES

- Ceramic material
- White gloss finish
- Overflow
- Overflow chrome ring included
- Pop up drain not included (available)
- Undermount installation
- Size W 19-1/2" x H 16" x D 8"

CERAMIC UNDERMOUNT SINKS

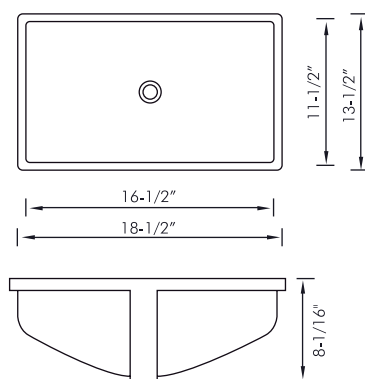


BSN - 202C-1

FEATURES

- Ceramic material
- Ivory gloss finish
- Overflow
- Overflow chrome ring included
- Pop up drain not included (available)
- Undermount installation
- Size W 18-1/2" x H 13-1/2" x D 8-1/16"

CERAMIC UNDERMOUNT SINKS

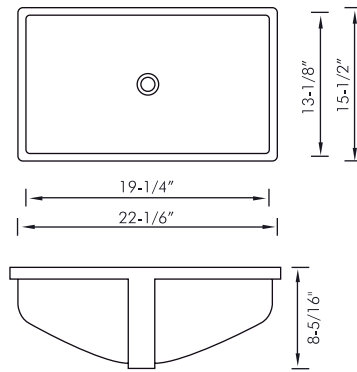


BSN - 202C-W

FEATURES

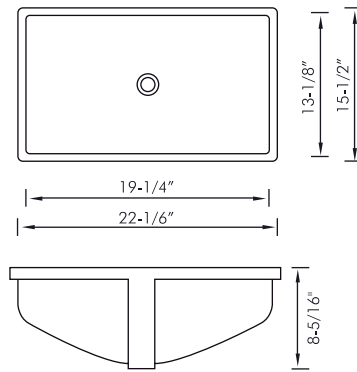
- Ceramic material
- White gloss finish
- Overflow
- Overflow chrome ring included
- Pop up drain not included (available)
- Undermount installation
- Size W 18-1/2" x H 13-1/2" x D 8-1/16"

CERAMIC UNDERMOUNT SINKS

**BSN - 202G-I****FEATURES**

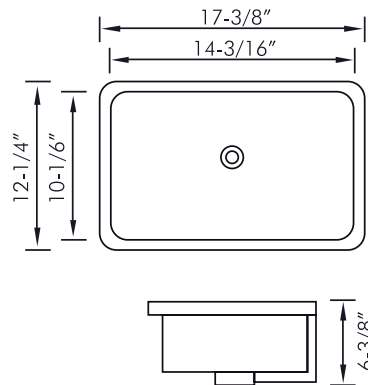
- Ceramic material
- Ivory gloss finish
- Overflow
- Overflow chrome ring included
- Pop up drain not included (available)
- Undermount installation
- Size W 22-1/6" x H 15-1/2" x D 8-5/16"

CERAMIC UNDERMOUNT SINKS

**BSN - 202G-W****FEATURES**

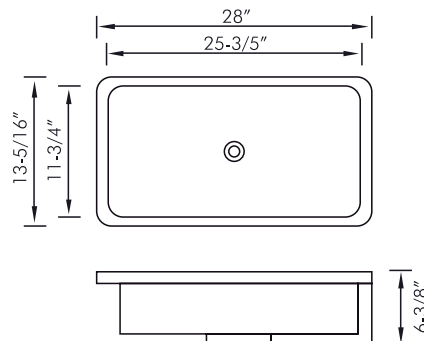
- Ceramic material
- White gloss finish
- Overflow
- Overflow chrome ring included
- Pop up drain not included (available)
- Undermount installation
- Size W 22-1/6" x H 15-1/2" x D 8-5/16"

CERAMIC UNDERMOUNT SINKS

**BSN - 1812****FEATURES**

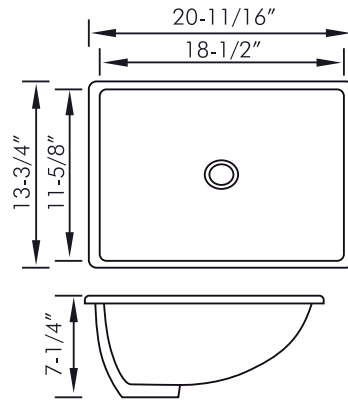
- Ceramic material
- White gloss finish
- Overflow
- Overflow chrome ring included
- Pop up drain not included (available)
- Undermount installation
- Size W 17-3/8" x H 12-1/4" x D 6-3/8"

CERAMIC UNDERMOUNT SINKS

**BSN - 2814****FEATURES**

- Ceramic material
- White gloss finish
- Overflow
- Pop up drain not included (available)
- Undermount installation
- Size W 28" x H 13-5/16" x D 6-3/8"

CERAMIC UNDERMOUNT SINKS

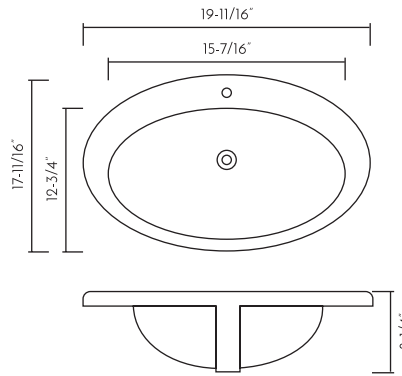


BSN - CL2023

FEATURES

- Ceramic material
- White gloss finish
- Overflow
- Overflow chrome ring included
- Pop up drain not included (available)
- Undermount installation
- Size W 20-11/16" x H 13-3/4" x D 7-1/4"

CERAMIC TOP MOUNT SINKS

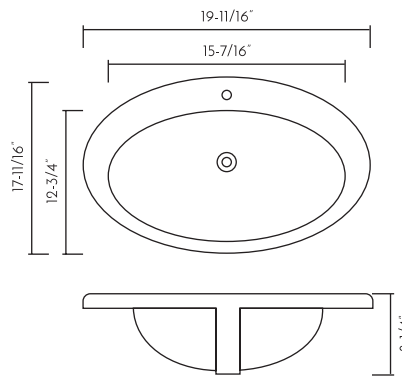


BSN - 209-I

FEATURES

- Ceramic material
- Ivory gloss finish
- Overflow
- Overflow chrome ring included
- Pop up drain not included (available)
- Overmount installation
- Size W 19-11/16" x H 17-11/16" x D 8-1/4"

CERAMIC TOP MOUNT SINKS

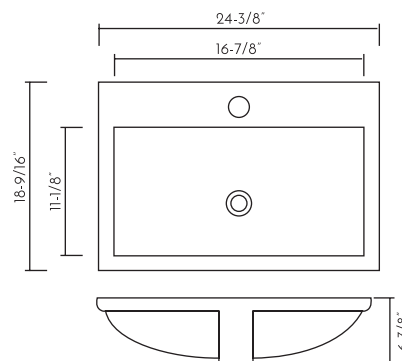


BSN - 209-W

FEATURES

- Ceramic material
- White gloss finish
- Overflow
- Overflow chrome ring included
- Pop up drain not included (available)
- Overmount installation
- Size W 19-11/16" x H 17-11/16" x D 8-1/4"

CERAMIC TOP MOUNT SINKS

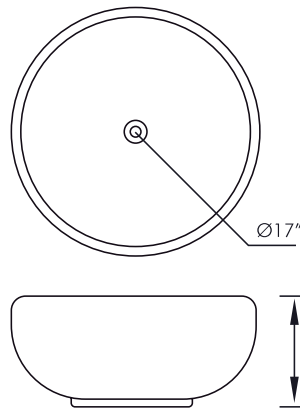


BSN - 660-E

FEATURES

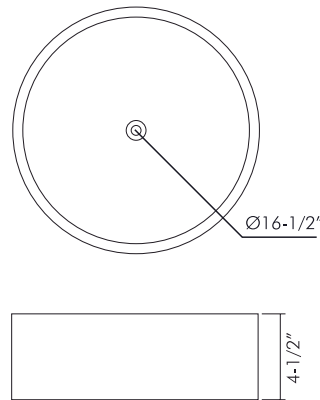
- Ceramic material
- White gloss finish
- Overflow
- Overflow chrome ring included
- Pop up drain not included (available)
- Overmount installation
- Size W 24-3/8" x H 18-9/16" x D 6-3/8"

CERAMIC VESSEL SINKS

**BSN - 215-W****FEATURES**

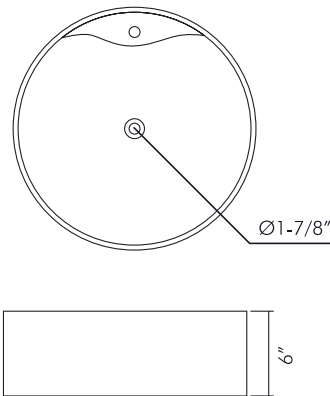
- Ceramic material
- White gloss finish
- Overflow
- Overflow chrome ring included
- Pop up drain not included (available)
- Vessel installation
- Size $\text{\O} 17" \times \text{D } 6\text{-}11/16"$

CERAMIC VESSEL SINKS

**BSN - 218****FEATURES**

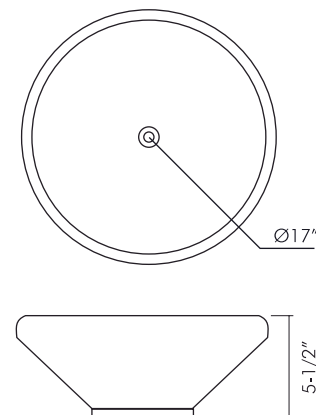
- Ceramic material
- White gloss finish
- Overflow
- Overflow chrome ring included
- Pop up drain not included (available)
- Vessel installation
- Size $\text{\O } 16\text{-}1/2" \times \text{D } 4\text{-}1/2"$

CERAMIC VESSEL SINKS

**BSN - 222-A****FEATURES**

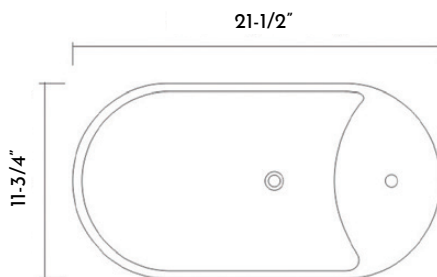
- Ceramic material
- White gloss finish
- Overflow
- Overflow chrome ring included
- Pop up drain not included (available)
- Vessel installation
- Size $\text{\O } 18\text{-}1/8" \times \text{D } 6"$

CERAMIC VESSEL SINKS

**BSN - 234****FEATURES**

- Ceramic material
- White gloss finish
- Pop up drain not included (available)
- Vessel installation
- Size $\text{\O } 17" \times \text{D } 5\text{-}1/2"$

CERAMIC VESSEL SINKS

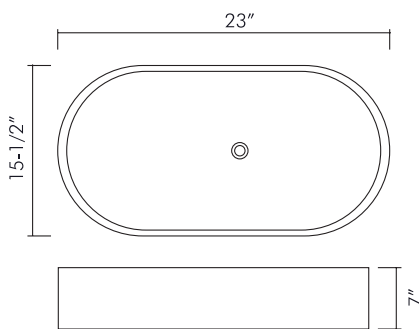


BSN - 224

FEATURES

- Oval Vessel Sink
- Single Bowl
- Ceramic Body
- Removable Overflow Chrome Ring
- Overflow Drain
- Faucet Mounting Hole
- High Gloss White Finish
- Size W 21-1/2" x 11-3/4" x D 5"

CERAMIC VESSEL SINKS

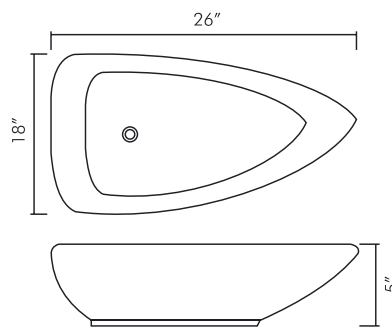


BSN - 243C

FEATURES

- Ceramic material
- White gloss finish
- Overflow
- Overflow chrome ring included
- Pop up drain not included (available)
- Vessel installation
- Size W 23" x H 15-1/2" x D 7"

CERAMIC VESSEL SINKS

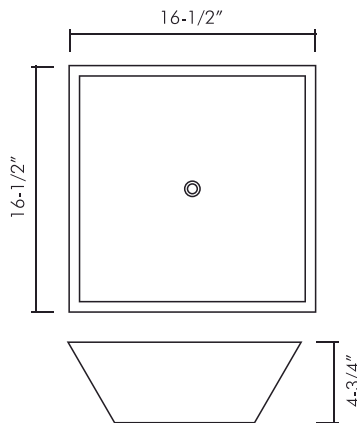


BSN - 223

FEATURES

- Ceramic material
- White gloss finish
- Pop up drain not included (available)
- Vessel installation
- Size W 26" x H 18" x D 5"

CERAMIC VESSEL SINKS

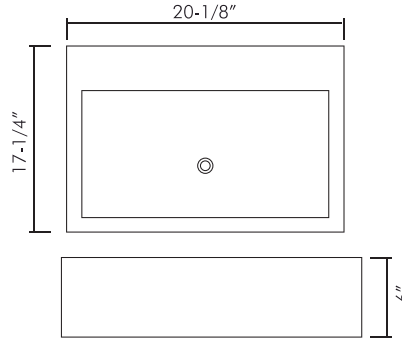


BSN - 230

FEATURES

- Ceramic material
- White gloss finish
- Overflow
- Overflow chrome ring included
- Pop up drain not included (available)
- Vessel installation
- Size W 16-1/2" x H 16-1/2" x D 4-3/4"

CERAMIC VESSEL SINKS

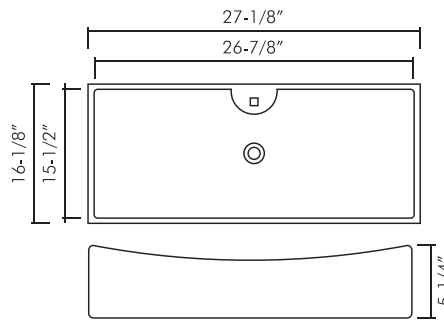


BSN - 241

FEATURES

- Ceramic material
- White gloss finish
- Overflow
- Overflow chrome ring included
- Pop up drain not included (available)
- Vessel installation
- Size W 20-1/8" x H 17-1/4" x D 6"

CERAMIC VESSEL SINKS

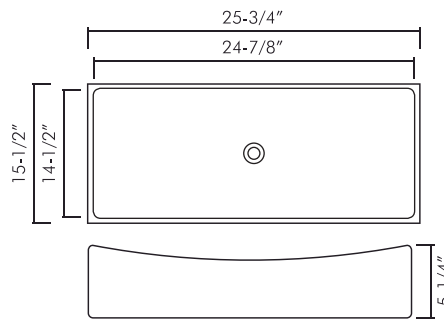


BSN - 280A

FEATURES

- Ceramic material
- White gloss finish
- Pop up drain not included (available)
- Vessel installation
- Size W 27-1/8" x H 16-1/8" x D 5-1/4"

CERAMIC VESSEL SINKS

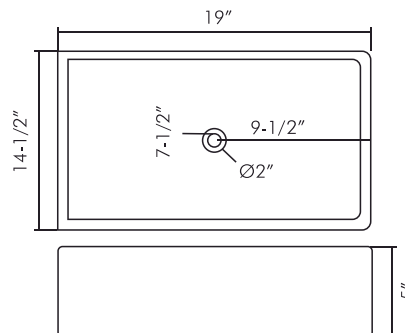


BSN - 280B

FEATURES

- Ceramic material
- White gloss finish
- Pop up drain not included (available)
- Vessel installation
- Size W 25-3/4" x H 15-1/2" x D 5-1/4"

CERAMIC VESSEL SINKS

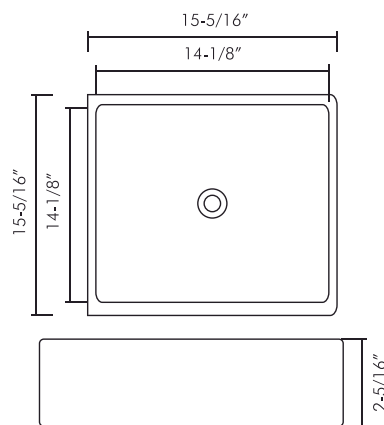


BSN - 285B

FEATURES

- Ceramic material
- White gloss finish
- Pop up drain not included (available)
- Vessel installation
- Size W 19" x H 14-1/2" x D 5"

CERAMIC VESSEL SINKS

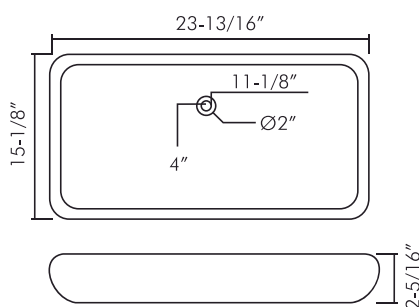


BSN - 285C

FEATURES

- Ceramic material
- White gloss finish
- Pop up drain not included (available)
- Vessel installation
- Size W 15-5/16" x H 15-5/16" x D 2-5/16"

CERAMIC VESSEL SINKS

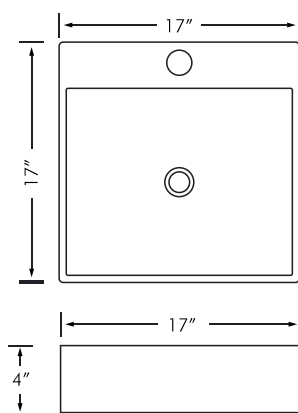


BSN - 285I

FEATURES

- Ceramic material
- White gloss finish
- Pop up drain not included (available)
- Vessel installation
- Size W 23-13/16" x H 15-1/8" x D 2-5/16"

CERAMIC VESSEL SINKS

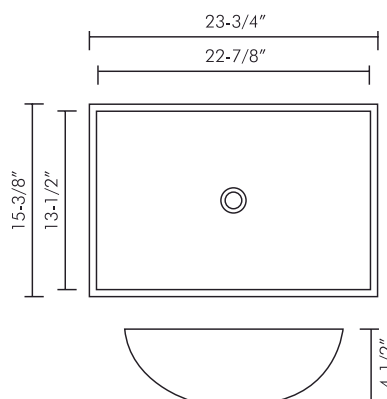


BSN - 715

FEATURES

- Ceramic material
- White gloss finish
- Pop up drain not included (available)
- Vessel installation
- Size W 17" x H 17" x D 4"

CERAMIC VESSEL SINKS

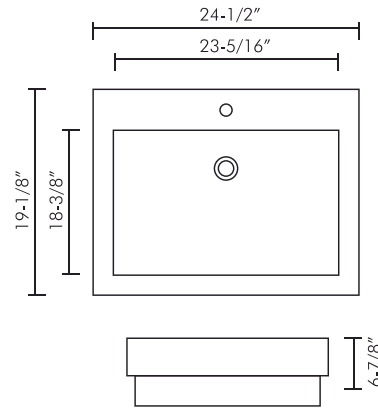


BSN - CL1056

FEATURES

- Ceramic material
- White gloss finish
- Pop up drain not included (available)
- Vessel installation
- Size W 23-3/4" x H 15-3/8" x D 4-1/2"

CERAMIC VESSEL SINKS

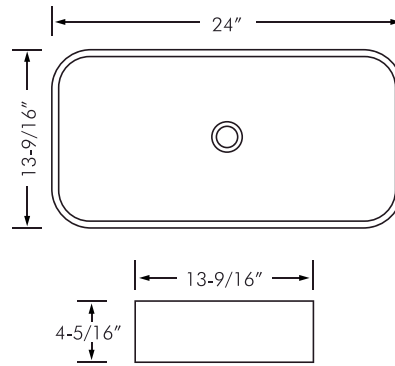


BSN - CL1242

FEATURES

- Ceramic material
- White gloss finish
- Overflow
- Pop up drain not included (available)
- Vessel installation
- Size W 24-1/2" x H 19-1/8" x D 6-7/8"

CERAMIC VESSEL SINKS

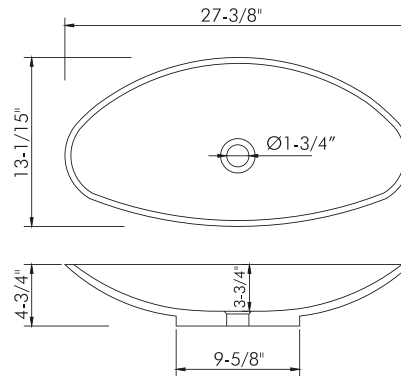


BSN - CL1320

FEATURES

- Ceramic material
- White gloss finish
- Pop up drain not included (available)
- Vessel installation
- Size W 24" x H 13-9/16" x D 4-5/16"

SOLID SURFACE SINKS

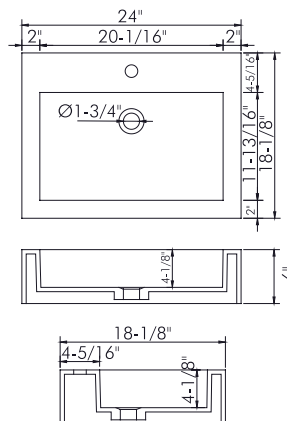


DAX - AB-1302

FEATURES

- Solid surface material
- White matte finish
- Pop up drain not included (available)
- Vessel installation
- Size W 27-3/8" x H 13-1/15" x D 4-3/4"

SOLID SURFACE SINKS

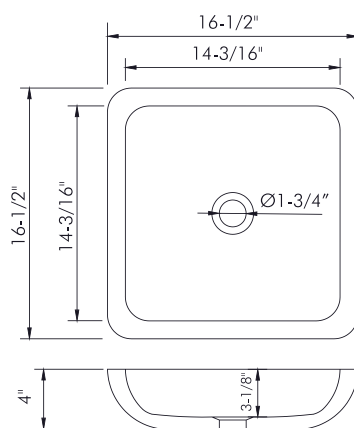


DAX - AB-032

FEATURES

- Solid surface material
- White matte finish
- Overflow
- Overflow chrome ring included
- Pop up drain not included (available)
- Vessel installation
- Size W 24" x H 18-1/8" x D 6"

SOLID SURFACE SINKS

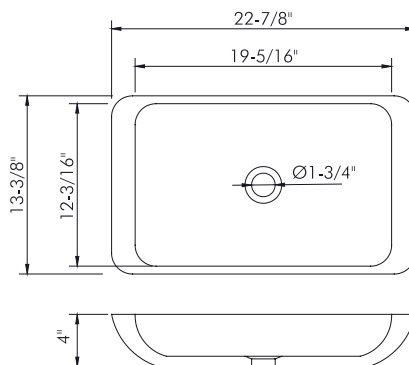


DAX - AB-1320

FEATURES

- Solid surface material
- White matte finish
- Pop up drain not included (available)
- Vessel installation
- Size W 16-1/2" x H 16-1/2" x D 4"

SOLID SURFACE SINKS

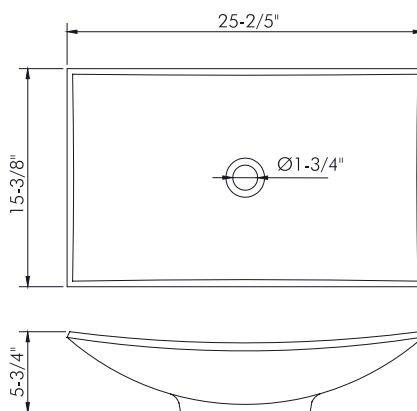


DAX - AB-1321

FEATURES

- Solid surface material
- White matte finish
- Pop up drain not included (available)
- Vessel installation
- Size W 22-7/8" x H 13-3/8" x D 4"

SOLID SURFACE SINKS

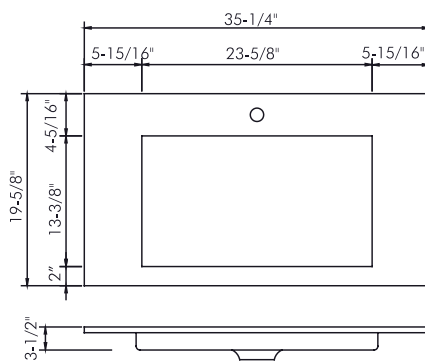


DAX - AB-1325

FEATURES

- Solid surface material
- White matte finish
- Pop up drain not included (available)
- Vessel installation
- Size W 25-2/5" x H 15-3/8" x D 5-3/4"

SOLID SURFACE SINKS

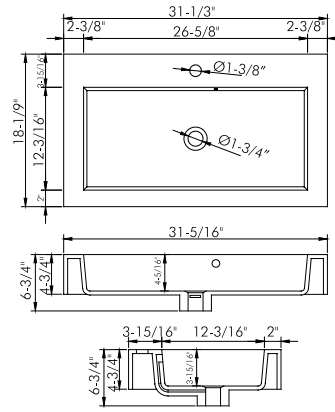


DAX - AB-1331

FEATURES

- Solid surface material
- White matte finish
- Vessel installation
- Size W 35-1/4" x H 19-5/8" x D 3-1/2"

SOLID SURFACE SINKS

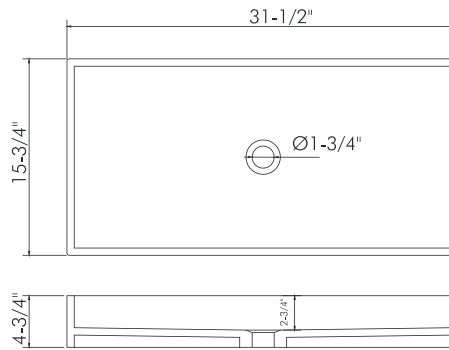


DAX - AB-1021

FEATURES

- Solid surface material
- White matte finish
- Overflow
- Overflow chrome ring included
- Pop up drain not included (available)
- Vessel installation
- Size W 31-1/3" x H 18-1/9" x D 6-3/4"

SOLID SURFACE SINKS

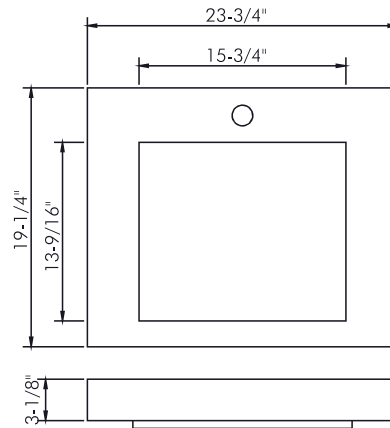


DAX - AB-1327

FEATURES

- Solid surface material
- White matte finish
- Pop up drain not included (available)
- Vessel installation
- Size W 31-1/2" x H 15-3/4" x D 4-3/4"

SOLID SURFACE SINKS

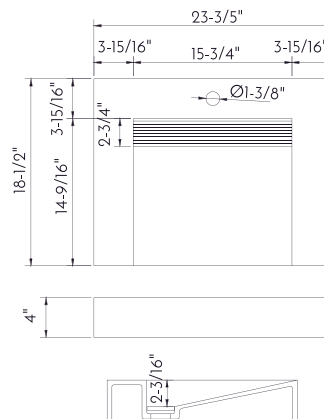


DAX - AB-1330

FEATURES

- Solid surface material
- White matte finish
- Vessel installation
- Size W 23-3/4" x H 19-1/4" x D 3-1/8"

SOLID SURFACE SINKS

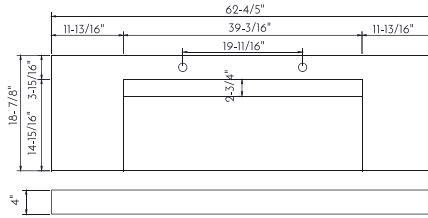


DAX - AB-1379

FEATURES

- Solid surface material
- White matte finish
- Vessel installation
- Size W 23-3/5" x H 18-1/2" x D 4"

SOLID SURFACE SINKS

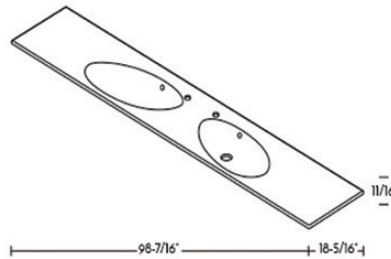


DAX - AB-1371

FEATURES

- Solid surface material
- White matte finish
- Vessel installation
- Size W 62-4/5" x H 18-7/8" x D 4"

VANITY BASIN



BSN - 70098

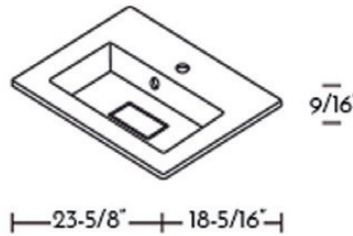
FEATURES

- Solid surface
- Leaf collection
- Size W 98-7/16" x H 18-5/16" x D 11/16"

FINISH

- BSN-70098-G Gloss
- BSN-70098-M Matte

VANITY BASIN



BSN - 80024

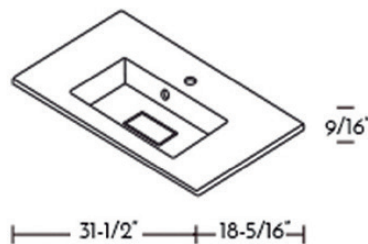
FEATURES

- Solid surface
- Mare collection
- Size W 23-5/8" x H 18-5/16" x D 9/16"

FINISH

- BSN-80024-G Gloss
- BSN-80024-M Matte

VANITY BASIN



BSN - 80032

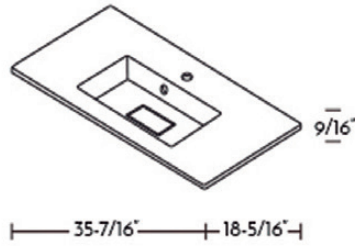
FEATURES

- Solid surface
- Mare collection
- Size W 31-1/2" x H 18-5/16" x D 9/16"

FINISH

- BSN-80032-G Gloss
- BSN-80032-M Matte

VANITY BASIN



BSN - 80036

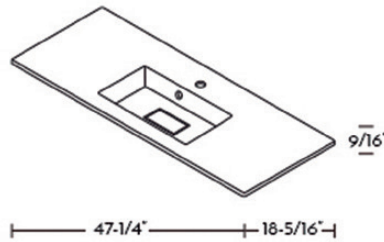
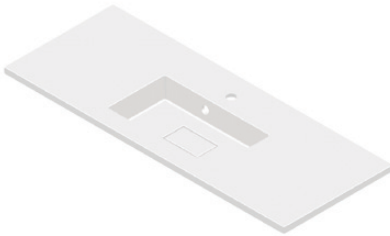
FEATURES

- Solid surface
- Mare collection
- Size W 35-7/16" x H 18-5/16" x D 9/16"

FINISH

- BSN-80036-G Gloss
- BSN-80036-M Matte

VANITY BASIN



BSN - 80048

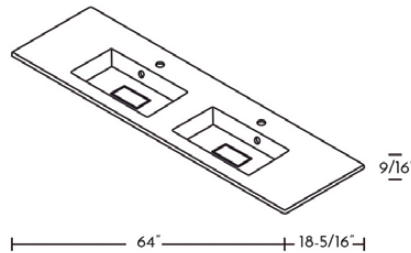
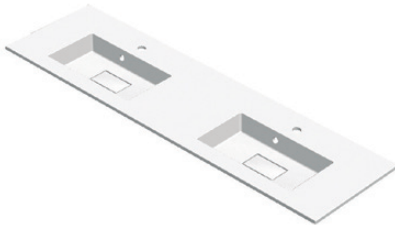
FEATURES

- Solid surface
- Mare collection
- Size W 47-1/4" x H 18-5/16" x D 9/16"

FINISH

- BSN-80048-G Gloss
- BSN-80048-M Matte

VANITY BASIN



BSN - 80064

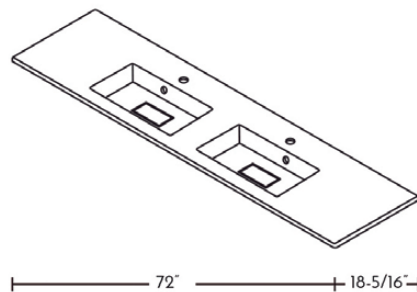
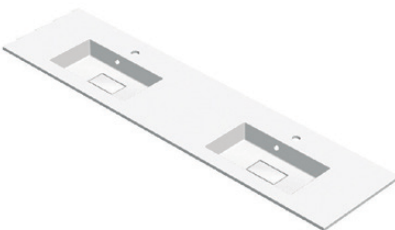
FEATURES

- Solid surface
- Mare collection
- Size W 64" x H 18-5/16" x D 9/16"

FINISH

- BSN-80064-G Gloss
- BSN-80064-M Matte

VANITY BASIN



BSN - 80072

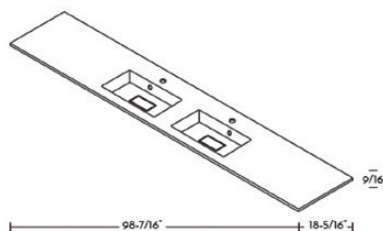
FEATURES

- Solid surface
- Mare collection
- Size W 72" x H 18-5/16" x D 9/16"

FINISH

- BSN-80072-G Gloss
- BSN-80072-M Matte

VANITY BASIN



BSN - 80098

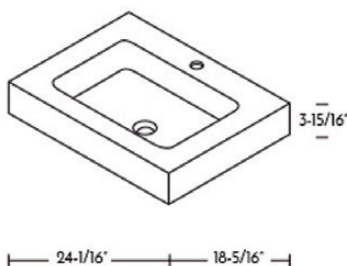
FEATURES

- Solid surface
- Mare collection
- Size W 98-7/16" x H 18-5/16" x D 9/16"

FINISH

- BSN-80098-G Gloss
- BSN-80098-M Matte

VANITY BASIN



BSN - 90024

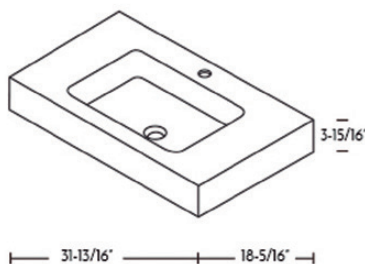
FEATURES

- Solid surface
- Alto Collection
- W 24-1/16" x H 18-5/16" x D 3-15/16"

FINISH

- BSN-90024-G Gloss
- BSN-90024-M Matte

VANITY BASIN



BSN - 90032

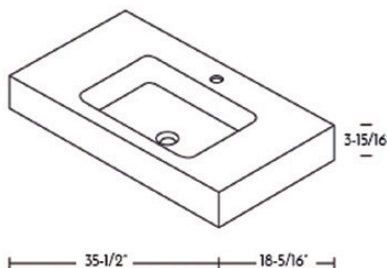
FEATURES

- Solid surface
- Alto collection
- Size W 31-13/16" x H 18-5/16" x D 3-15/16"

FINISH

- BSN-90032-G Gloss
- BSN-90032-M Matte

VANITY BASIN



BSN - 90036

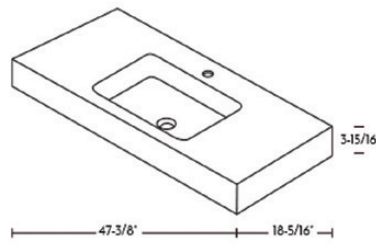
FEATURES

- Solid surface
- Alto collection
- Size W 35-1/2" x H 18-5/16" x D 3-15/16"

FINISH

- BSN-90036-G Gloss
- BSN-90036-M Matte

VANITY BASIN



BSN - 90048

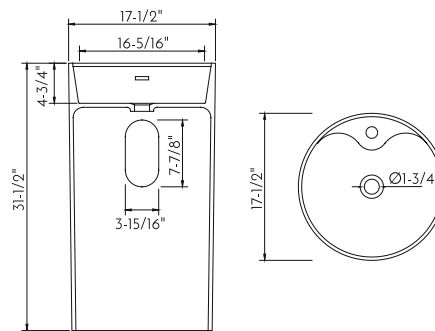
FEATURES

- Solid surface
- Alto collection
- Size W 47-3/4" x H 18-5/16" x D 3-15/16"

FINISH

- BSN-90048-G Gloss
- BSN-90048-M Matte

SOLID SURFACE SINKS

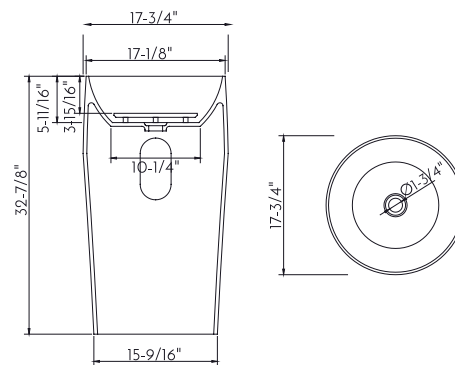


DAX - AB-1380

FEATURES

- Solid surface material
- White matte finish
- Pop up drain not included (available)
- Freestanding installation
- Size W 17-1/2" x H 17-1/2" x D 31-1/2"

SOLID SURFACE SINKS

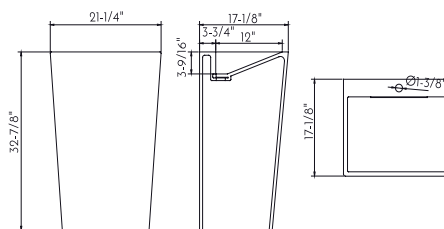


DAX - AB-1381

FEATURES

- Solid surface material
- White matte finish
- Freestanding installation
- Size W 17-3/4" x H 17-3/4" x D 32-7/8"

SOLID SURFACE SINKS



DAX - AB-1384

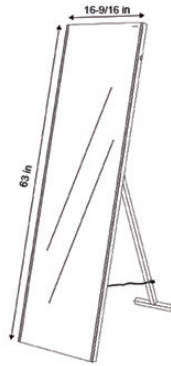
FEATURES

- Solid surface material
- White matte finish
- Freestanding installation
- Size W 21-1/4" x H 17-1/8" x D 32-7/8"



BATHROOM
MIRRORS SERIES 07

BATHROOM MIRRORS

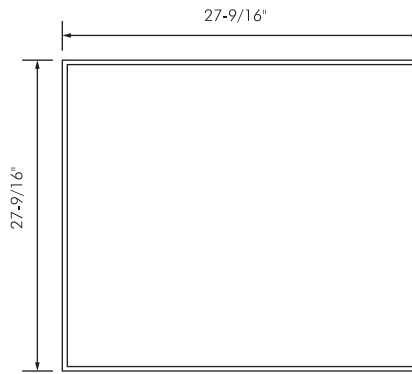


DAX - DL03A-S12160

FEATURES

- Free Standing
- Lighted Mirror
- Size: H 63" x W 16-9/16"
- Chrome Finish
- Glass / Aluminum Material
- No mirror frame
- Rectangle Shape
- Plain simple mirror front

BATHROOM MIRRORS

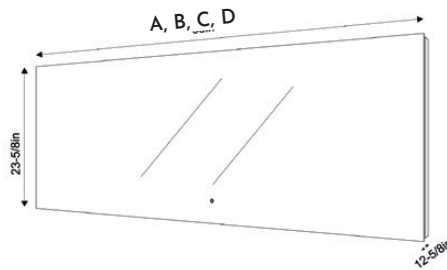


DAX - DL03B

FEATURES

- Aluminum frame
- Led light with touch switch
- Hanging hardware included
- Size W 27-9/16" x H 27-9/16"

BATHROOM MIRRORS



DAX - DL03C

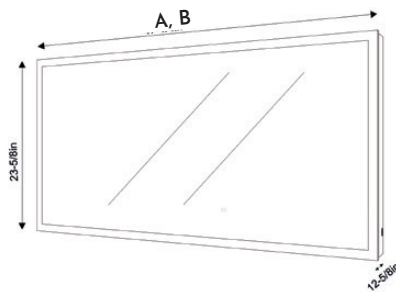
FEATURES

- Sided Back light
- Touch sensor
- Glass / Aluminum Material
- No mirror frame
- Rectangle shape
- Plain simple mirror front

SIZES

- A. DAX-DL03C-8060 32" x 23-5/8"
- B. DAX-DL03C-12060 48" x 23-5/8"
- C. DAX-DL03C-16060 64" x 23-5/8"
- D. DAX-DL03C-18060 72" x 23-5/8"

BATHROOM MIRRORS



DAX - DL03D

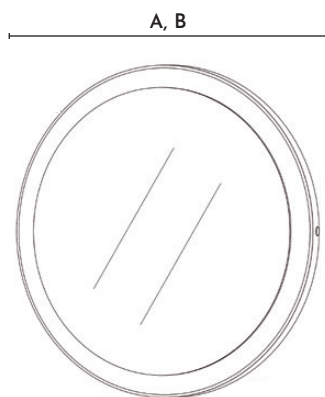
FEATURES

- Wide frost light
- Glass / Aluminum Material
- No mirror frame
- Rectangle shape
- Sandblasted mirror front

SIZES

- A. DAX-DL03D-M8060 32" x 23-5/8"
- B. DAX-DL03D-M12060 48" x 23-5/8"

BATHROOM MIRRORS



DAX - DL50

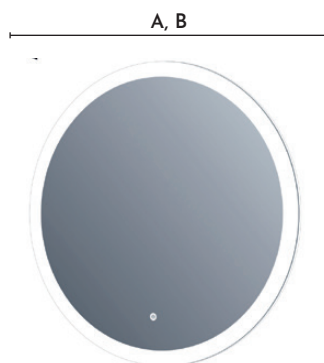
FEATURES

- Round Shape
- Curved engraving back light
- Glass / MDF material
- No mirror frame
- Plain simple mirror front

SIZES

- A. DAX-DL50-6060 23-5/8" mn Without
- B. DAX-DL50-8080 31-1/2" With Magnif

BATHROOM MIRRORS



DAX - DL73

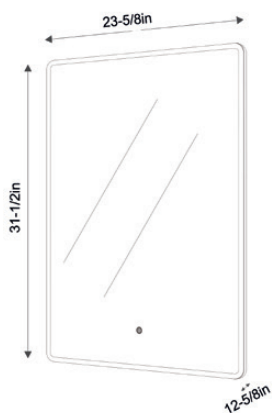
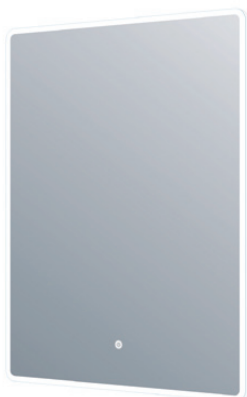
FEATURES

- Diffusive light guideline panel
- Round shape
- Glass / Acrilyc material
- No mirror frame
- Sandblasted mirror front

SIZES

- A. DAX-DL73-6060 23-5/8"
- B. DAX-DL73-9090 35-7/16"

BATHROOM MIRRORS

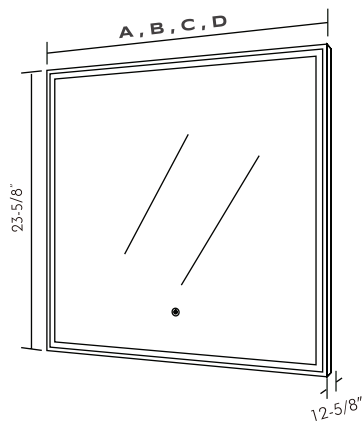


DAX - DL74-6080

FEATURES

- Diffusive light guideline panel
- Rectangle with rounded corners shape
- Size: H 31-1/2" x W 23-5/8" x D 12-5/8"
- Glass / Acrilyc material
- No mirror frame
- Sandblasted mirror front

BATHROOM MIRRORS



DAX - DL75

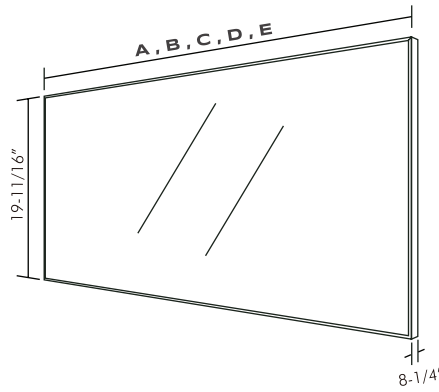
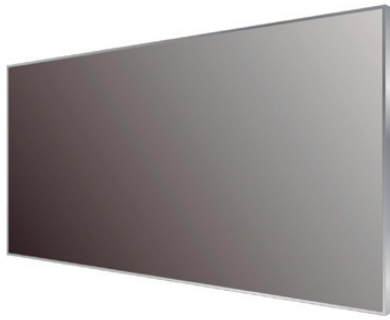
FEATURES

- Aluminum frame
- Led light with touch switch
- Hanging hardware included

SIZES

- A. DAX-DL756060 23-5/8" x 23-5/8"
- B. DAX-DL758060 31-1/2" x 23-5/8"
- C. DAX-DL759060 35-7/16" x 23-5/8"
- D. DAX-DL7510060 39-3/8" x 23-5/8"

BATHROOM MIRRORS



DAX - AF1

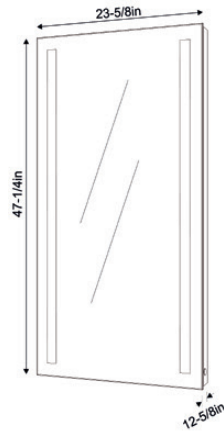
FEATURES

- Aluminum frame
- Hanging hardware included

SIZES

- A. DAX-AF10050 39-3/8" x 19-11/16"
- B. DAX-AF11050 43-5/16" x 19-11/16"
- C. DAX-AF12050 47-1/4" x 19-11/16"
- D. DAX-AF14050 55-1/8" x 19-11/16"
- E. DAX-AF15050 59-1/6" x 19-11/16"

BATHROOM MIRRORS

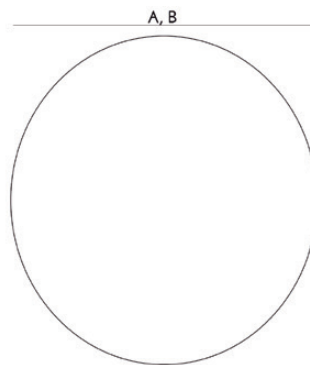


DAX - TH-1

FEATURES

- Rectangular shape
- No mirror frame
- Size: H 47-1/4" x W 23-5/8" x D 12-5/8"
- Lighted mirror

BATHROOM MIRRORS



DAX - 120-STRIP

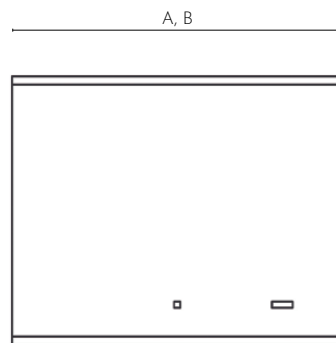
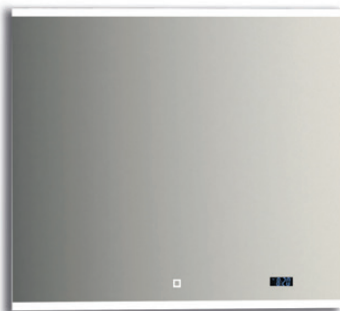
FEATURES

- Round mirror
- Glass thickness 4mm
- Made in Spain

SIZES

- A. DAX-120-STRIP 24" x 24"
- B. DAX-120-STRIP 32" x 32"

BATHROOM MIRRORS



DAX - 120-BAY

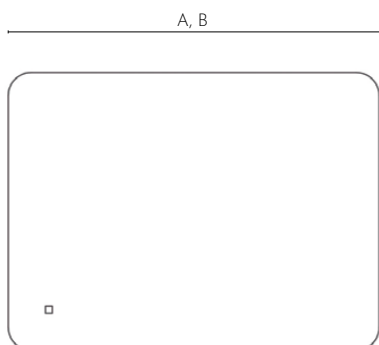
FEATURES

- Contact sensor on/off
- 2 bright LED strips lights
- Digital clock
- 2 speakers 3w each
- No Mirror Frame
- Rectangular Shape
- Metal / Mirror Material

SIZES

- A. DAX-120-BAY0232 32" x 25-9/16"
- B. DAX-120-BAY0240 40" x 25-9/16"

BATHROOM MIRRORS



DAX - 120-CALI

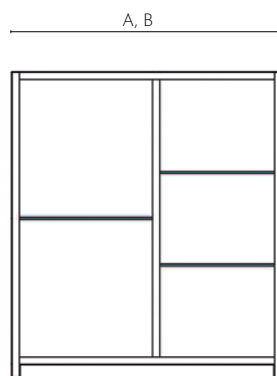
FEATURES

- Contact sensor on/off
- Ambient light
- Reversible
- No mirror frame
- Round corners shape
- Mirror material

SIZES

- A. DAX-120-CALIO224 24" x 39 1/4"
- B. DAX-120-CALIO232 32" x 39 1/4"

BATHROOM MIRRORS



DAX - 120-SEA

FEATURES

- 1 door without handle
- Glass shelves
- 2 adjustable mirror hangers
- No mirror frame
- Rectangular shape
- Particle Tableboard (CARB) material
- Bathroom / Vanity type

SIZES

- A. DAX-120-SEA0224 24" x 26-3/4"
- B. DAX-120-SEA0232 32" x 26-3/4"

BATHROOM MIRRORS



DAX - 120-SUN

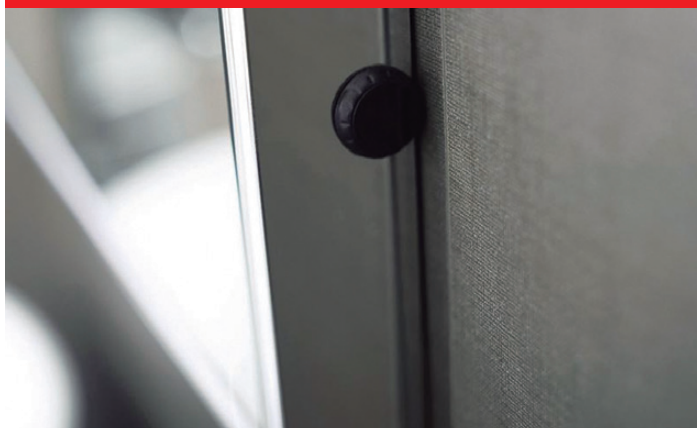
FEATURES

- Rectangular shape
- No mirror frame
- Particle Tableboard (CARB) material
- Reversible

SIZES

- A. DAX-120-SUN0124 24" x 31-1/2"
- B. DAX-120-SUN0129 29" x 31-7/8"
- C. DAX-120-SUN0132 32" x 31-1/2"
- D. DAX-120-SUN0140 40" x 31-1/2"

DAX - DLO3B



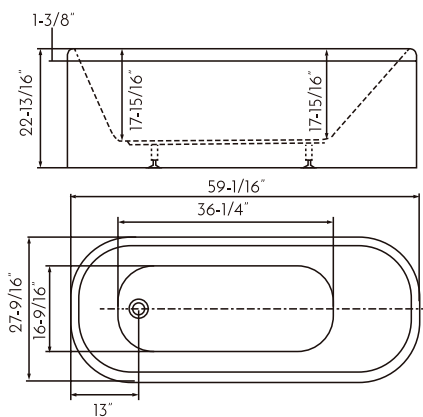
DAX - AF1





08 BATHTUBS SERIES

BATHTUBS

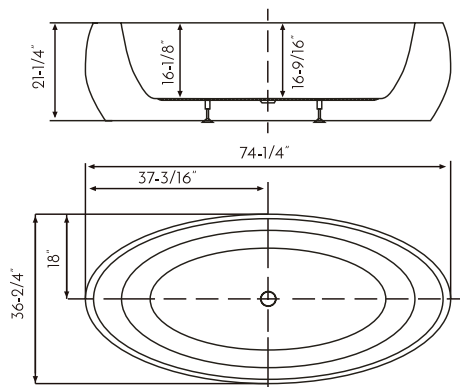


BT - 8062

FEATURES

- Freestanding installation
- Acrylic material
- White gloss finish
- Off center drain
- Overflow
- Overflow drain included
- Pop up drain Included
- Size W 59-1/16" x H 22-13/16" x D 27-9/16"

BATHTUBS

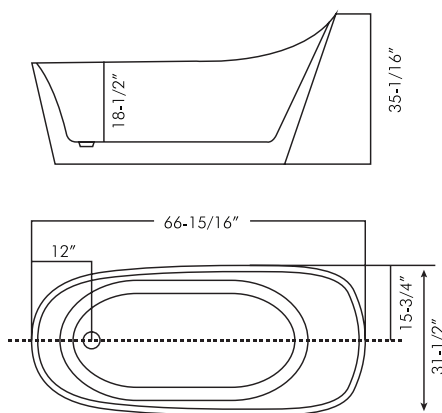


BT - 8008

FEATURES

- Freestanding installation
- Acrylic material
- White gloss finish
- Central drain
- Overflow
- Overflow drain included
- Pop up drain Included
- vSize W 74-7/16" x H 36-5/8" x D 21-5/8"

BATHTUBS

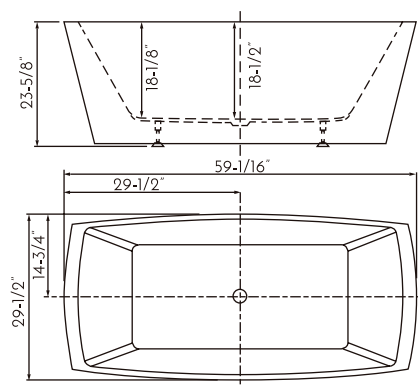


BT - 8089

FEATURES

- Freestanding installation
- Acrylic material
- White gloss finish
- Off center drain
- Overflow
- Overflow drain included
- Pop up drain Included
- Size W 66-15/16" x H 35-1/16" x D 31-1/2"

BATHTUBS

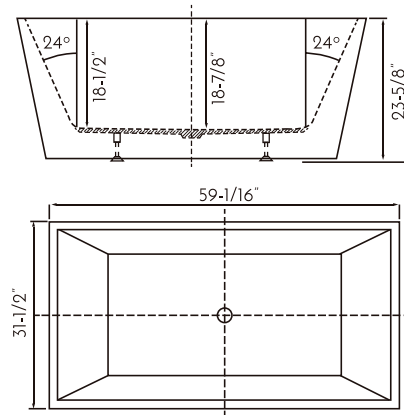


BT - 8017

FEATURES

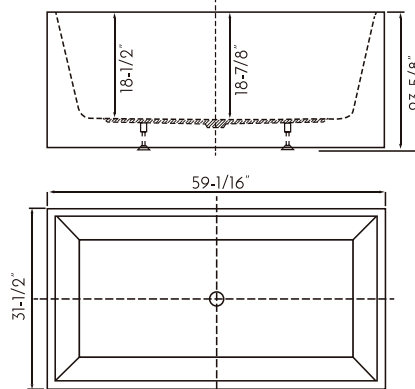
- Freestanding installation
- Acrylic material
- White gloss finish
- Central Drain
- Overflow
- Overflow drain included
- Pop up drain Included
- Size W 59-1/16" x H 23-5/8" x D 29-1/2"

BATHTUBS

**BT - 8013****FEATURES**

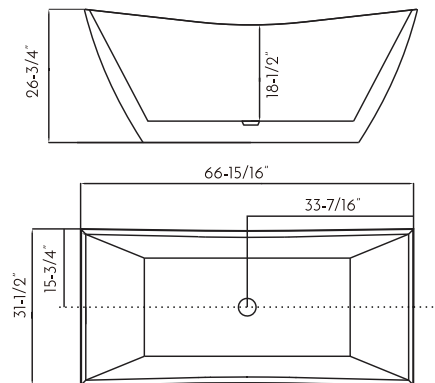
- Freestanding installation
- Acrylic material
- White gloss finish
- Central Drain
- Overflow
- Overflow drain included
- Pop up drain Included
- Size W 59-1/16" x H 23-5/8" x D 31-1/2"

BATHTUBS

**BT - 8013A****FEATURES**

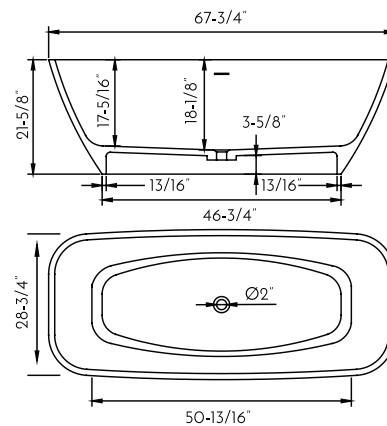
- Freestanding installation
- Acrylic material
- White gloss finish
- Central Drain
- Overflow
- Overflow drain included
- Pop up drain Included
- Size W 59-1/16" x H 23-5/8" x D 31-1/2"

BATHTUBS

**BT - 8086****FEATURES**

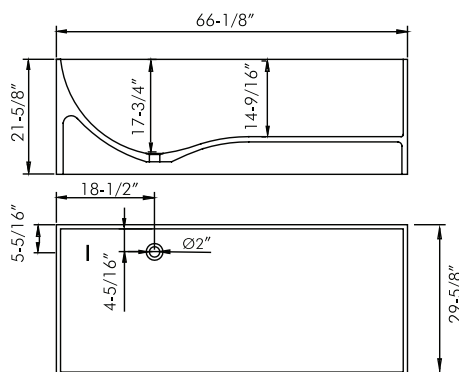
- Freestanding installation
- Acrylic material
- White gloss finish
- Central drain
- Overflow
- Overflow drain included
- Pop up drain Included
- Size W 66-15/16" x H 26-3/4" x D 31-1/2"

BATHTUBS

**BT - AB-B037****FEATURES**

- Freestanding installation
- Solid surface
- White matte finish
- Central Drain
- Overflow
- Overflow drain included
- Drain not included
- Size W 67-3/4" x H 21-5/8" x D 28-3/4"

BATHTUBS



BT-AB-B029

FEATURES

- Freestanding installation
- Solid surface
- White matte finish
- Off center drain
- Overflow
- Overflow drain included
- Drain not included
- Size W 66-1/8" x H 21-5/8" x D 29-5/8"

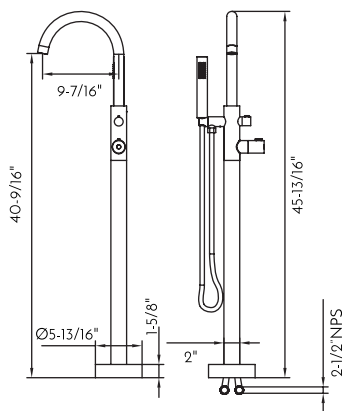
BT-8008





09 BATHTUB
FILLERS SERIES

BATHTUB FILLERS



DAX - 807

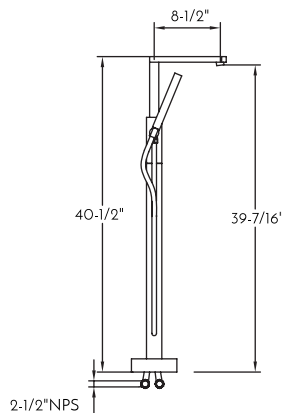
FEATURES

- Floor mount
- Brass body
- Thermostatic valve
- Anti-scalding protection
- Ceramic cartridge
- Flow rate 4.01 GPM
- Hand shower included
- Mounting parts and water lines included

FINISH

- DAX-807-CR Chrome
- DAX-807-BN Brushed nickel

BATHTUB FILLERS



DAX - 808

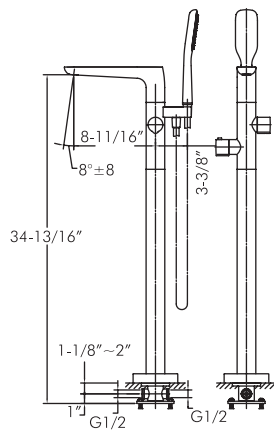
FEATURES

- Floor mount
- Brass body
- Anti-scalding protection
- Ceramic cartridge
- Flow rate 3.54 GPM
- Hand shower included
- Mounting parts and water lines included

FINISH

- DAX-808-CR Chrome
- DAX-808-BN Brushed nickel

BATHTUB FILLERS

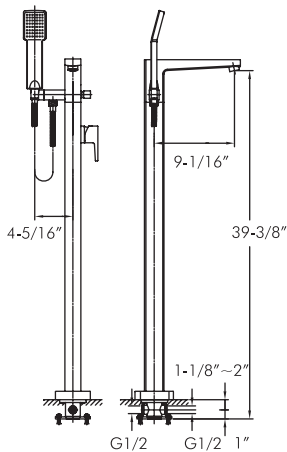


DAX - 8153

FEATURES

- Floor mount
- Brass body
- Chrome finish
- Thermostatic valve
- Anti-scalding protection
- Ceramic cartridge
- Flow rate 2.0 GPM
- Hand shower included
- Mounting parts and water lines included

BATHTUB FILLERS

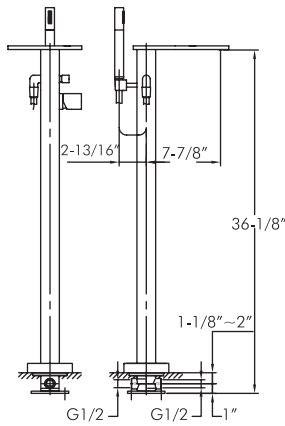


DAX - 8129

FEATURES

- Floor mount
- Brass body
- Chrome finish
- Anti-scalding protection
- Ceramic cartridge
- Flow rate 5.0 GPM
- Hand shower included
- Mounting parts and water lines included

BATHTUB FILLERS

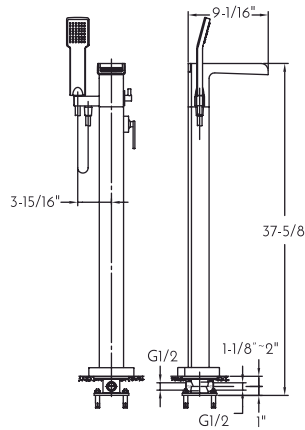


DAX - 8180

FEATURES

- Floor mount
- Brass body
- Chrome finish
- Anti-scalding protection
- Ceramic cartridge
- Hand shower included
- Mounting parts and water lines included

BATHTUB FILLERS

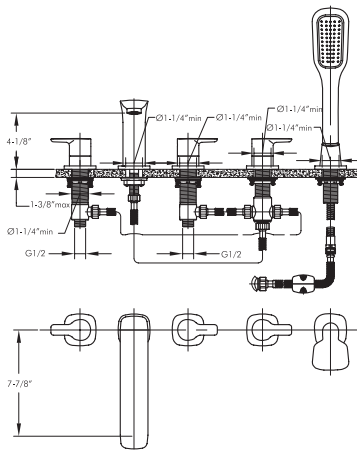


DAX - 8185

FEATURES

- Floor mount
- Brass body
- Chrome finish
- Anti-scalding protection
- Ceramic cartridge
- Hand shower included
- Mounting parts and water lines included

BATHTUB FILLERS

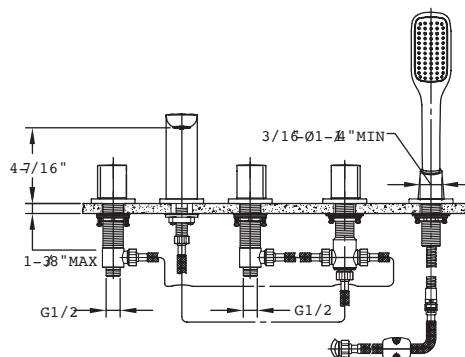


DAX - 8138C

FEATURES

- Deck mount
- Brass body
- Chrome finish
- Ceramic cartridge
- Hand shower included
- Mounting parts and water lines included

BATHTUB FILLERS

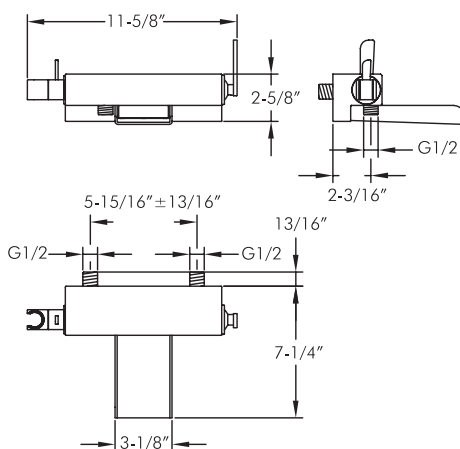


DAX - 8196C

FEATURES

- Deck mount
- Brass body
- Chrome finish
- Ceramic cartridge
- Hand shower included
- Mounting parts and water lines included

BATHTUB FILLERS



DAX - 8105

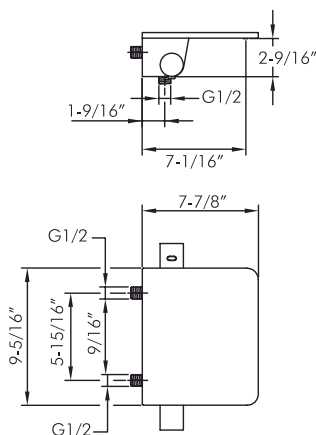
FEATURES

- Wall mount
- Brass body
- Chrome finish
- Anti-scalding protection
- Ceramic cartridge
- Flow rate 3.3 GPM
- Hand shower included
- Mounting parts and water lines included

FINISH

- DAX-8105-CR Chrome
- DAX-8105-BN Brushed nickel

BATHTUB FILLERS



DAX - 8190

FEATURES

- Wall mount
- Brass body
- Chrome finish
- Thermostatic valve
- Anti-scalding protection
- Ceramic cartridge
- Flow rate 2.0 GPM
- Mounting parts and water lines included

REQUIRES

- D-H34
- DAX-516
- DAX-044-CR

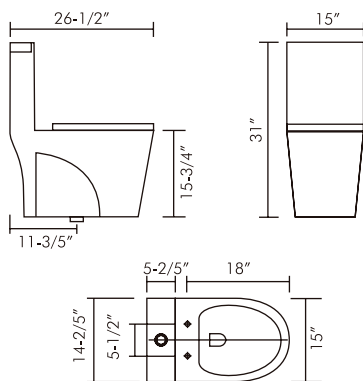
DAX - 8180





10 TOILETS SERIES

TOILETS

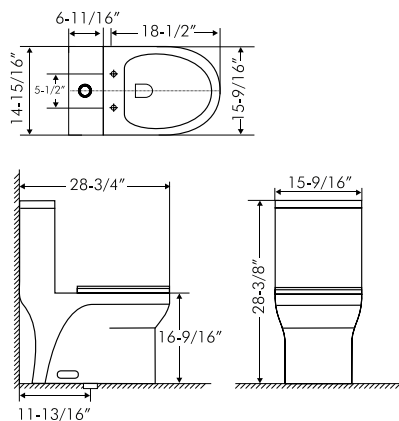


BSN - CL12011

FEATURES

- Ceramic material
- White gloss finish
- Chrome flush buttons
- Soft close seat included
- Dual flush
- 1.06 - 1.6 GPF
- One piece construction
- Floor mount

TOILETS

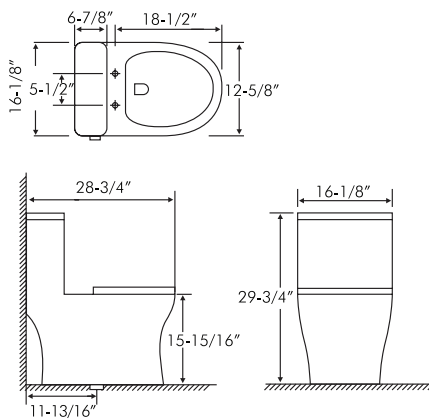


BSN - CL12050A

FEATURES

- Ceramic material
- White gloss finish
- Chrome flush buttons
- Soft close seat included
- Dual flush
- 1.06 - 1.6 GPF
- One piece construction
- Floor mount

TOILETS



BSN - CL12243

FEATURES

- Ceramic material
- White gloss finish
- Chrome flush buttons
- Soft close seat included
- Dual flush
- 1.06 - 1.6 GPF
- One piece construction
- Floor mount

TOILETS

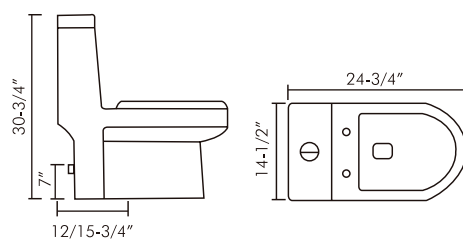


BSN - 11

FEATURES

- Ceramic material
- White gloss finish
- Chrome flush buttons
- Soft close seat included
- Dual flush
- 1.06 - 1.6 GPF
- One piece construction
- Floor mount

TOILETS

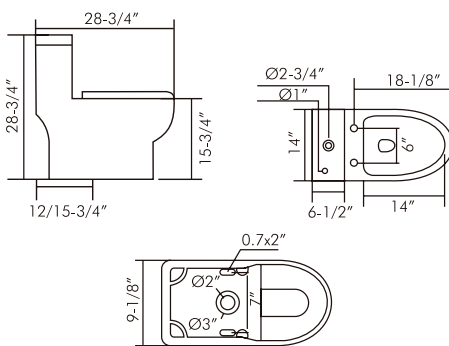


BSN - 43A

FEATURES

- Ceramic material
- White gloss finish
- Chrome flush buttons
- Soft close seat included
- Dual flush
- 1.1 - 1.6 GPF
- One piece construction
- Floor mount

TOILETS

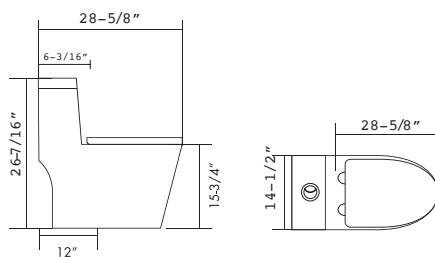


BSN - 76

FEATURES

- Ceramic material
- White gloss finish
- Chrome flush buttons
- Soft close seat included
- Dual flush
- 1.1 - 1.6 GPF
- One piece construction • Floor mount

TOILETS

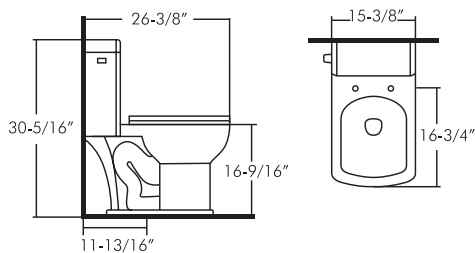


BSN - 80

FEATURES

- Porcelain material
- White finish
- Chrome flush buttons
- Soft close seat included
- Dual flush
- 1.06 - 1.6 GPF
- One piece construction
- Floor mount

TOILETS

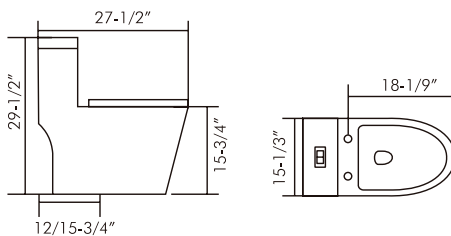


BSN - 105

FEATURES

- Ceramic material
- White gloss finish
- Chrome flush buttons
- Soft close seat included
- Single flush
- 1.06 - 1.6 GPF
- One piece construction
- Floor mount

TOILETS

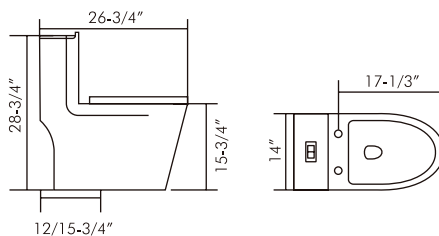


BSN - 832

FEATURES

- Ceramic material
- White gloss finish
- Chrome flush buttons
- Soft close seat included
- Dual flush
- 1.06 - 1.6 GPF
- One piece construction
- Floor mount

TOILETS

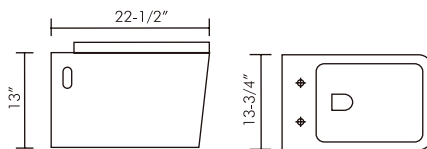


BSN - 835

FEATURES

- Ceramic material
- White gloss finish
- Chrome flush buttons
- Soft close seat included
- Dual flush
- 1.06 - 1.6 GPF
- One piece construction
- Floor mount

TOILETS

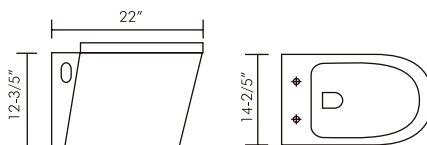


BSN - CL11002A

FEATURES

- Ceramic material
- White gloss finish
- Soft close seat included
- 1.06 - 1.6 GPF
- Wall Mount
- Concealed tank included (BSN-CL17010)

TOILETS

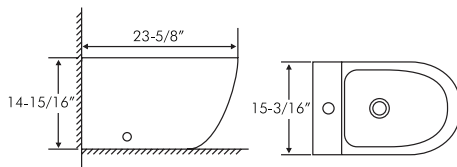


BSN - CL11025

FEATURES

- Ceramic material
- White gloss finish
- Soft close seat included
- 1.06 - 1.6 GPF
- Wall Mount
- Concealed tank included (BSN-CL17010)

BIDET

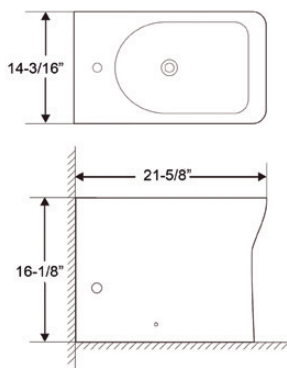


BSN - 1101

FEATURES

- Ceramic material
- White gloss finish
- Drain not included
- One piece construction
- Floor mount

BIDET

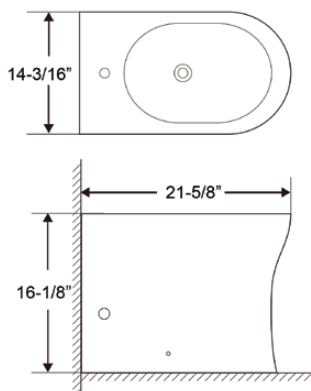


BSN - CL12248F

FEATURES

- Wall Hanging Bidet
- Ceramic material
- White finish
- Size: H 16-1/8" x W 14-3/16" x L 21-5/8"

BIDET

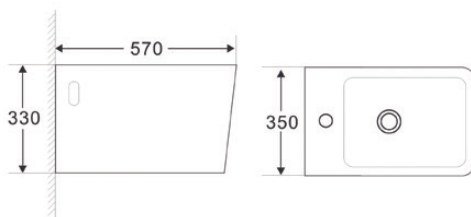


BSN - CL12249F

FEATURES

- Wall Hanging Bidet
- Ceramic material
- White finish
- Size: H 16-1/8" x W 14-3/16" x L 21-5/8"

BIDET



BSN - CL11002B

FEATURES

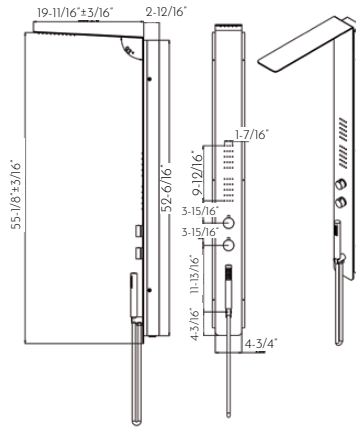
- Wall Hanging Bidet
- Ceramic material
- White finish
- Size: H 13" x W 13-3/4" x L 22-1/2"



SHOWER PANELS
SERIES

11

SHOWER PANELS

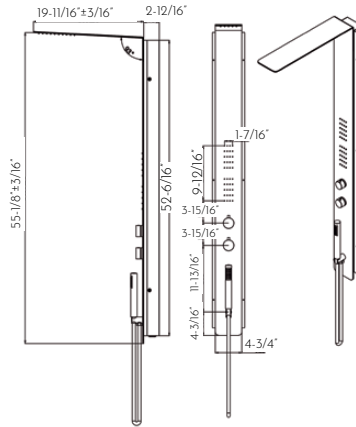


DAX - O34

FEATURES

- Stainless steel shower panel
- 3 functions
- Pressure balance valve
- UPC approved
- Hand shower
- 2 Body Jets
- Brushed stainless steel finish

SHOWER PANELS

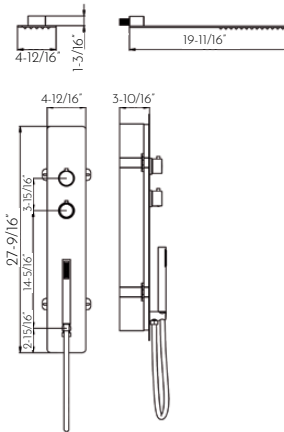


DAX - O34-2

FEATURES

- Stainless steel shower panel
- 3 functions
- 2 body jets
- UPC approved
- Hand shower
- Pressure balance valve
- Brushed stainless steel finish

SHOWER PANELS

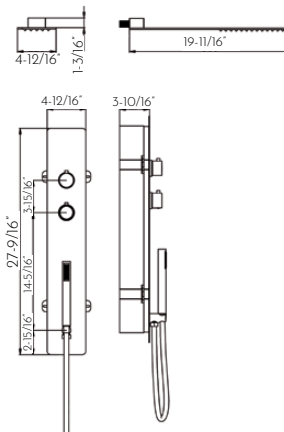


DAX - O38-1

FEATURES

- Stainless Steel shower system
- 2 functions
- UPC approved
- Hand shower
- Thermostatic Mixer
- Mirror finish

SHOWER PANELS

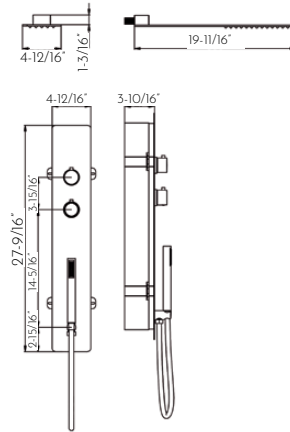


DAX - O38-1MB

FEATURES

- Stainless steel shower system
- 2 functions
- UPC approved
- Hand shower
- Thermostatic Mixer
- Matte Black finish

SHOWER PANELS

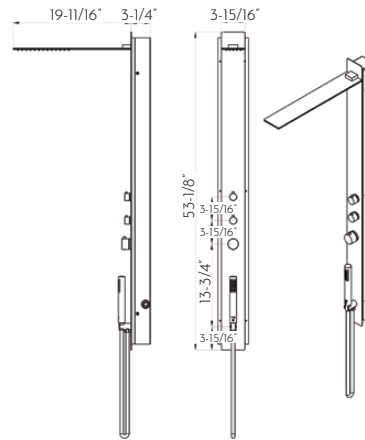


DAX - O38-1MW

FEATURES

- Stainless steel shower system
- 2 functions
- UPC approved
- Hand shower
- Thermostatic Mixer
- Matte white finish

SHOWER PANELS

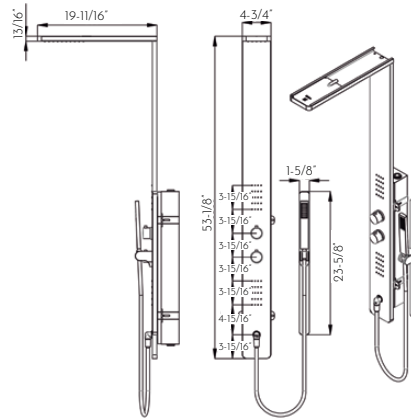


DAX - O39

FEATURES

- Stainless steel shower panel
- 2 functions
- UPC approved
- Hand shower
- Thermostatic mixer
- Mirror finish

SHOWER PANELS

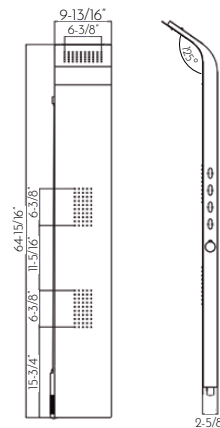


DAX - O45-2R

FEATURES

- Stainless steel shower panel
- Pressure balance valve
- 3 functions
- UPC approved
- Hand shower
- Brushed stainless steel finish

SHOWER PANELS



DAX - 111PB-BN

FEATURES

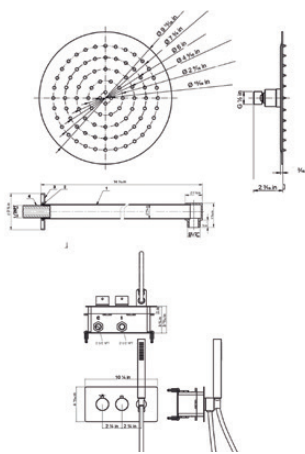
- Stainless steel shower panel
- 4 functions
- Pressure Balance valve
- Body jets
- UPC approved
- Hand shower



SHOWER SYSTEMS
SERIES

12

SHOWER SYSTEMS

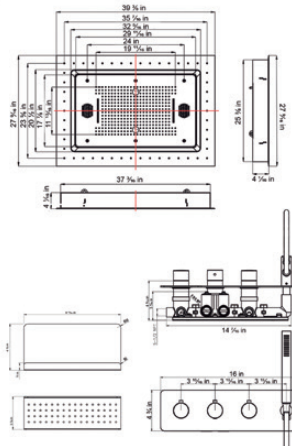


DAX - 2002

FEATURES

- Thermostatic shower with 3 functions
- Stainless steel shower head and hand shower
- Chrome finish
- Brass shower arm and hand shower holder
- UPC approved

SHOWER SYSTEMS

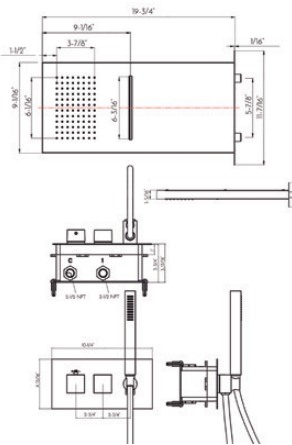


DAX - 5002

FEATURES

- Multi-function valve
- Ceiling mount shower head
- Rainshower
- Mist sprayer
- Waterfall
- Double rain
- Handshower Included
- LED lights
- Silicone water nozzles
- Ceramic cartridge
- Valve flow rate 10.6 GPM
- Shower head flow rate 5.5 GPM
- Handshower head flow rate 6.34 GPM
- Brass body
- Chrome finish

SHOWER SYSTEMS

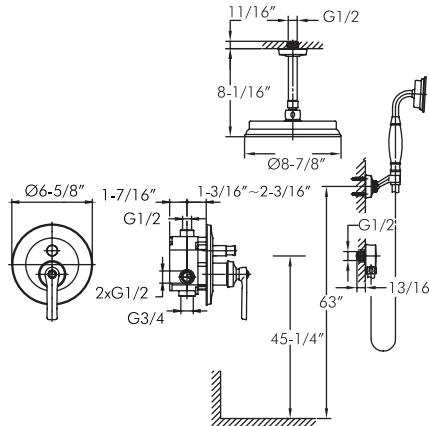


DAX - 9003

FEATURES

- Thermostatic shower system with 3 functions
- UPC approved
- Brass hand shower material
- chrome finish
- rectangular
- 304 Stainless Steel

SHOWER SYSTEMS

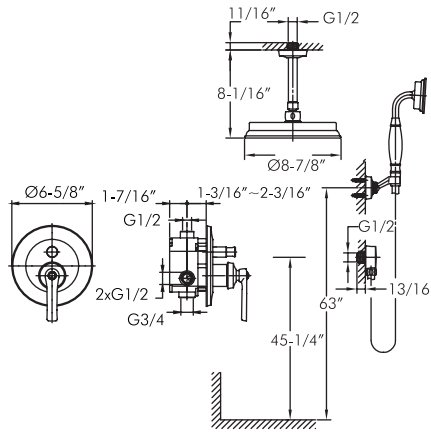


DAX - 8339-CR

FEATURES

- Two function valve
- Ceiling mount shower head
- Rainshower
- Handshower included with rail
- Silicone water nozzles
- Ceramic cartridge
- Flow rate 2.0 GPM
- Brass body
- Also available in ORB finish

SHOWER SYSTEMS

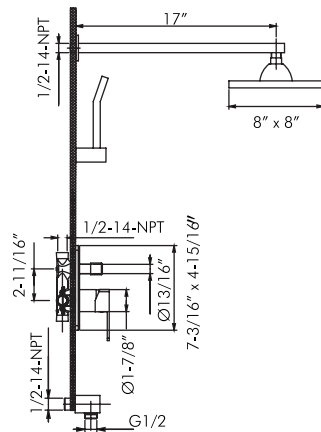


DAX - 8339-ORB

FEATURES

- Two function valve
- Ceiling mount shower head
- Rainshower
- Handshower included
- Silicone water nozzles
- Ceramic cartridge
- Flow rate 2.0 GPM
- Brass body
- ORB finish

SHOWER SYSTEMS



DAX - 6813B

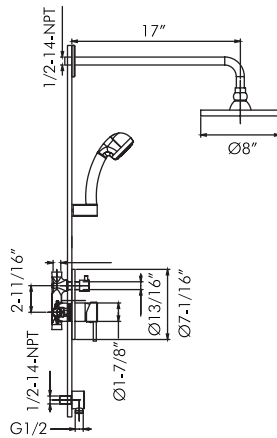
FEATURES

- Two function valve
- Wall mount shower head
- Rainshower
- Handshower included
- Silicone water nozzles
- Ceramic cartridge
- Shower head flow rate 2.5 GPM
- Handshower head flow rate 2.5 GPM
- Pressure balance valve
- Brass body

FINISH

- DAX-6813B-BN Brushed nickel
- DAX-6813B-CR Chrome

SHOWER SYSTEMS



DAX - 6813

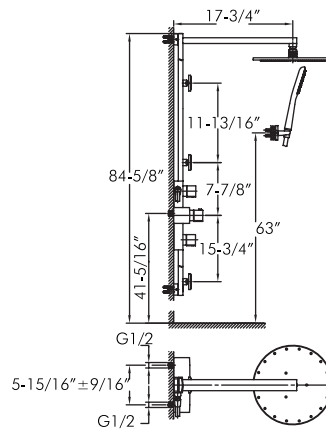
FEATURES

- Two function valve
- Wall mount shower head
- Rainshower
- Handshower included
- Silicone water nozzles
- Ceramic cartridge
- Shower head flow rate 2.5 GPM
- Handshower head flow rate 2.5 GPM
- Pressure balance valve
- Brass body

FINISH

- DAX-6813-BN Brushed nickel
- DAX-6813-CR Chrome

SHOWER SYSTEMS

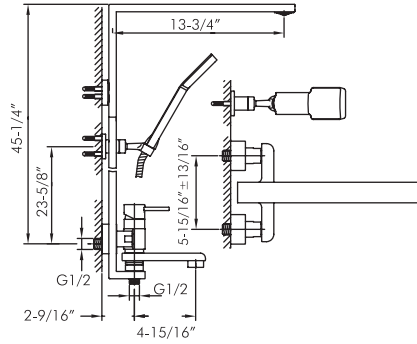


DAX - FH8452-675

FEATURES

- Three function valve
- Wall mount system
- Rainshower
- Body jets with independent control
- Handshower included
- Silicone water nozzles
- Ceramic cartridge
- Flow rate 2.0 GPM
- Thermostatic valve
- Anti-scalding protection
- Brass body
- Chrome finish

SHOWER SYSTEMS

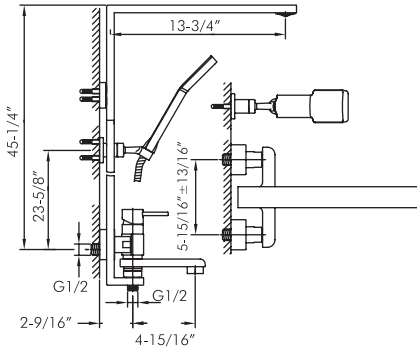


DAX - 8166C-CR

FEATURES

- Three function spout diverter
- Wall mount system
- Rainshower
- Tub filler
- Handshower included
- Ceramic cartridge
- Flow rate 2.0 GPM
- Anti-scalding protection
- Brass body
- Chrome finish

SHOWER SYSTEMS

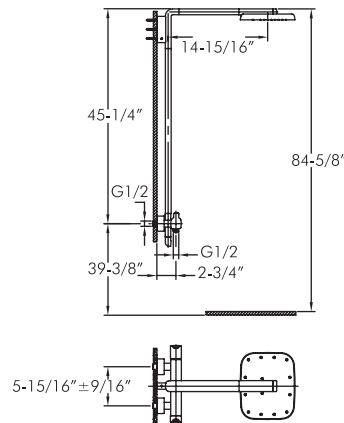


DAX - 8166C-BL

FEATURES

- Three function spout diverter
- Wallmount system
- Rainshower
- Tub filler
- Handshower included
- Ceramic cartridge
- Flow rate 2.0 GPM
- Anti-scalding protection
- Brass body
- Polished black finish

SHOWER SYSTEMS

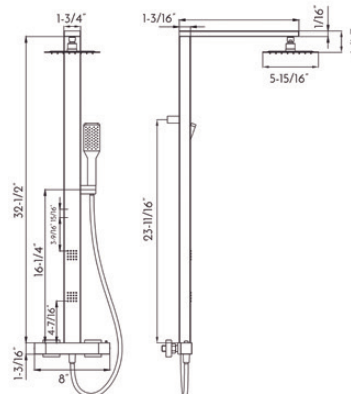


DAX - 8459

FEATURES

- Three function valve
- Wall mount system
- Rainshower
- Waterfall
- Handshower included
- Ceramic cartridge
- Flow rate 2.0 GPM
- Thermostatic valve
- Anti-scalding protection
- Brass body
- Chrome finish

SHOWER SYSTEMS

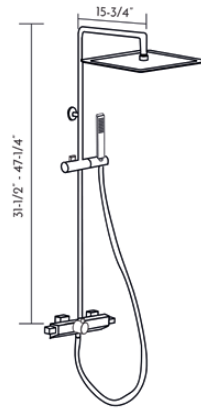


DAX - 019-CR

FEATURES

- Two functions
- Square
- Thermostatic shower column with
- 304 stainless steel
- UPC approved
- Handshower included
- 3 Bodysprays
- Brass body
- Chrome finish

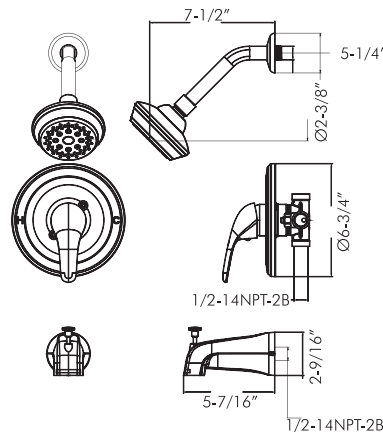
SHOWER SYSTEMS



DAX - 047

FEATURES

- Shower column
- Flow rate control
- thermostatic shower column with 3 functions
- UPC approved
- Stainless steel
- Chrome finish



DAX - 0511

FEATURES

- Two function valve
- Wall mount shower head
- Multi-function shower head
- Tub filler
- Ceramic cartridge
- Shower head flow rate 2.5 GPM
- Pressure balance valve
- Anti-scalding protection
- Brass body

FINISH

- DAX-0511-BN Brushed nickel
- DAX-0511-CR Chrome

DAX - 5002

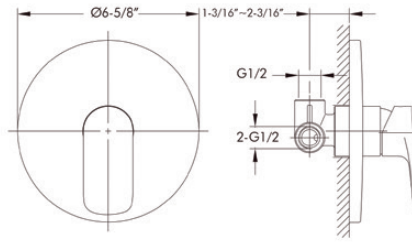
DAX - 019-CR





13 SHOWER VALVES
SERIES

SHOWER VALVES



DAX - 8303B

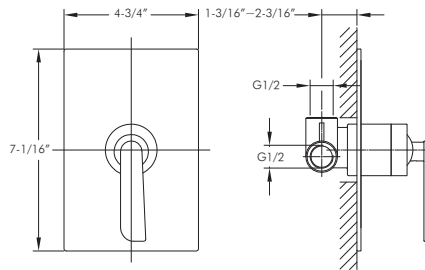
FEATURES

- One function
- Flow rate 7.6 GPM
- Brass body

FINISH

- DAX-8303B-BN Brushed Nickel
- DAX-8303B-CR Chrome

SHOWER VALVES



DAX - 8303E

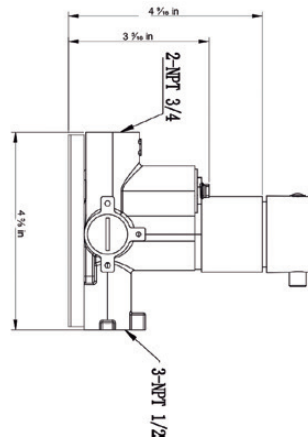
FEATURES

- One function
- Flow rate 7.6 GPM
- Brass body

FINISH

- DAX-8303E-BN Brushed Nickel
- DAX-8303E-CR Chrome

SHOWER VALVES



DAX - 1050-RD

FEATURES

- Concealed thermostatic mixer with 3 functions
- Brass Body
- 304 Stainless Steel Round Trim
- UPC Approved

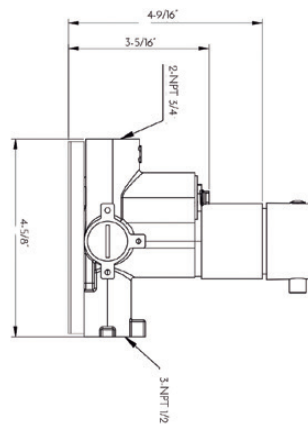
FINISH

- DAX-1050-RD-CR Chrome

INCLUDED

- DAX-050-HP01-CR
- DAX-1050-CR

SHOWER VALVES



DAX - 1050-SQ

FEATURES

- Concealed Thermostatic Mixer with 3 functions
- Brass body
- 304 stainless steel square trim
- UPC approved
- Square handles

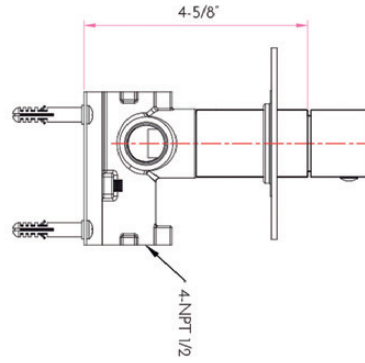
FINISH

- DAX - 1050-SQ-CR Chrome

INCLUDED

- DAX-1050-HP03-CR
- DAX-1050-CR

SHOWER VALVES



DAX - 1053-RD

FEATURES

- 3 Way Shower Valve
- Brass Body
- 304 Stainless Steel Square Trim
- UPC Approved

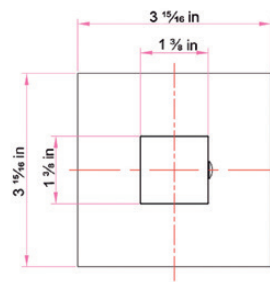
FINISH

- DAX-1053-RD-CR Chrome

INCLUDED

- DAX-1053-HP03-CR
- DAX-1053-CR

SHOWER VALVES



DAX - 1053-SQ

FEATURES

- 3 Way Shower Valve
- Brass Body
- 304 Stainless Steel Square Trim
- UPC Approved

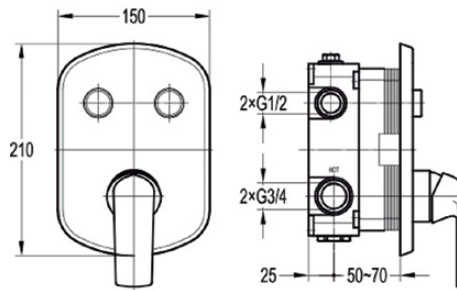
FINISH

- DAX-1053-SQ-CR Chrome

INCLUDED

- DAX-1053-HP03-CR
- DAX-1053-CR

SHOWER VALVES



DAX - 7303

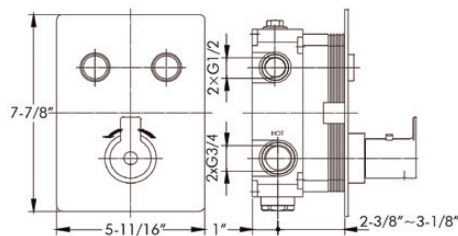
FEATURES

- Two functions
- Ceramic cartridge
- Brass body
- DAX click on system

FINISH

- DAX-7303-CR
- DAX-7303-BN

SHOWER VALVES



DAX - 7303A

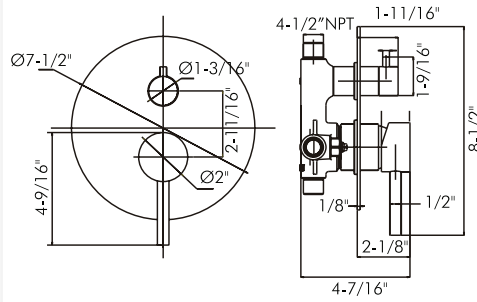
FEATURES

- Two functions
- Thermostatic
- Ceramic cartridge
- Brass body
- DAX click on System

FINISH

- DAX-7303A-CR
- DAX-7303A-BN

SHOWER VALVES



DAX - 6973

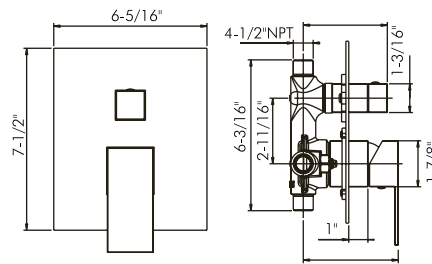
FEATURES

- Two functions
- Pressure balance
- Ceramic cartridge
- Brass body

FINISH

- DAX-6973-BN Brushed Nickel
- DAX-6973-CR Chrome

SHOWER VALVES



DAX - 6973A

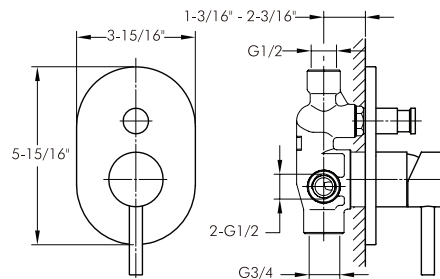
FEATURES

- Two functions
- Pressure balance
- Ceramic cartridge
- Brass body

FINISH

- DAX-6973A-BN Brushed Nickel
- DAX-6973A-CR Chrome

SHOWER VALVES



DAX - 8308

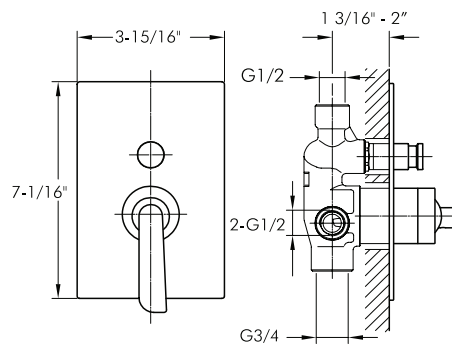
FEATURES

- Two functions
- Pressure balance
- Ceramic cartridge
- Brass body

FINISH

- DAX-8308-CR

SHOWER VALVES



DAX - 8308E

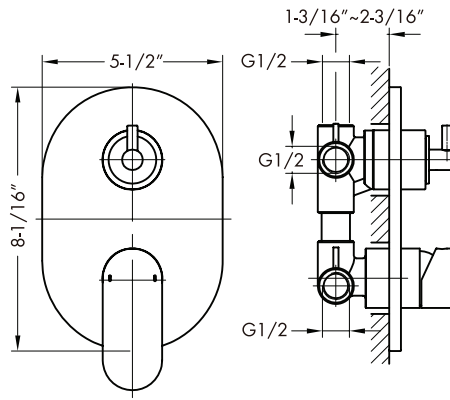
FEATURES

- Two functions
- Pressure balance
- Ceramic cartridge
- Brass body

FINISH

- DAX-8308E-CR

SHOWER VALVES



DAX - 9903

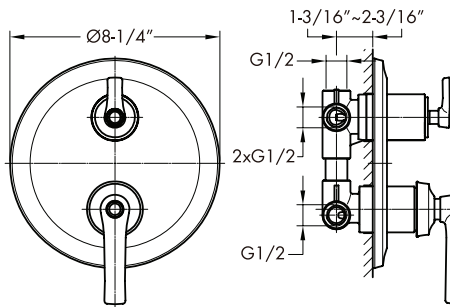
FEATURES

- Three functions
- Ceramic cartridge
- Brass body

FINISH

- DAX-9903-CR

SHOWER VALVES



DAX - 79903

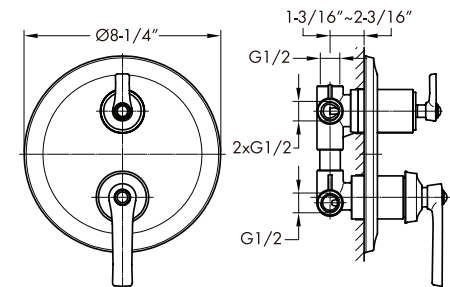
FEATURES

- Three functions
- Ceramic cartridge
- Brass body

FINISH

- DAX-79903-CR

SHOWER VALVES



DAX - 79903

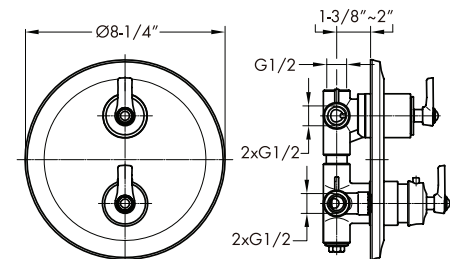
FEATURES

- Three functions
- Ceramic cartridge
- Brass body

FINISH

- DAX-79903-Oil rubbed bronze

SHOWER VALVES



DAX - 79909

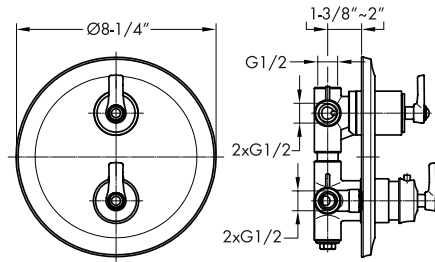
FEATURES

- Three functions
- Thermostatic
- Ceramic cartridge
- Brass body

FINISH

- DAX-79909-CR

SHOWER VALVES



DAX - 79909

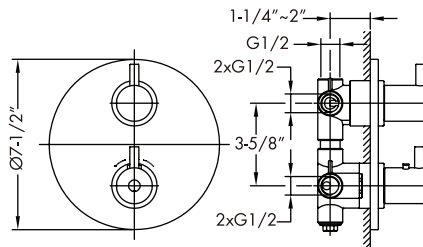
FEATURES

- Three functions
- Thermostatic
- Ceramic cartridge
- Brass body

FINISH

- DAX-79909-Oil rubbed bronze

SHOWER VALVES



DAX - 8302619

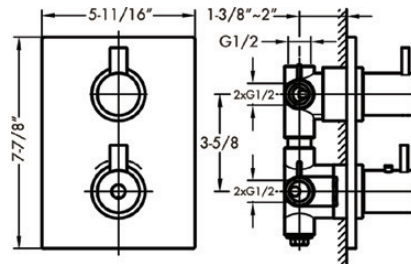
FEATURES

- Three functions
- Thermostatic
- Ceramic cartridge
- Brass body

FINISH

- DAX-8302619-BN Brushed nickel
- DAX-8302619-CR Chrome

SHOWER VALVES



DAX - 8302631

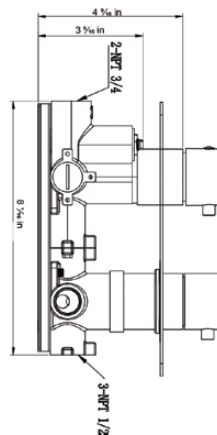
FEATURES

- Three functions
- Thermostatic
- Ceramic cartridge • Brass body

FINISH

- DAX-8302631-BN Brushed nickel
- DAX-8302631-CR Chrome

SHOWER VALVES



DAX - 1054-RD

FEATURES

- Concealed thermostatic mixer with 2 / 3 functions
- Brass body
- 304 Stainless Steel Round Trim
- Round handles
- UPC Approved

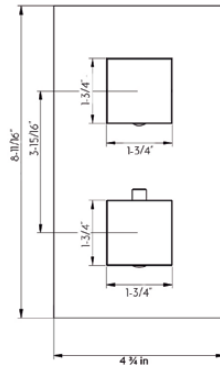
FINISH

- DAX-1054-RD-CR Chrome

INCLUDED

- DAX-1054-01-CR
- DAX-1054-CR

SHOWER VALVES



DAX - 1054-SQ

FEATURES

- Concealed thermostatic mixer with 2/3 Functions
- Brass body
- 304 stainless steel square trim
- UPC approved
- Square handles

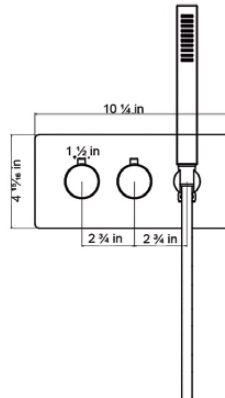
FINISH

- DAX-1054-SQ-CR Chrome

INCLUDED

- DAX-1054-03-CR
- DAX-1054-CR

SHOWER VALVES



DAX - 1004-RD

FEATURES

- Concealed thermostatic mixer with 3 functions
- Brass body
- 304 Stainless Steel Trim Kit
- Round hand shower
- Round Handles
- UPC Approved

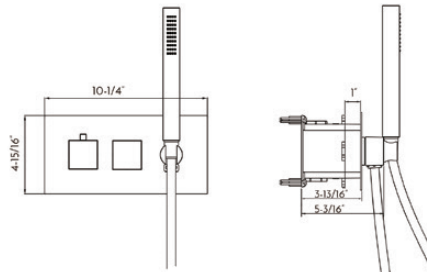
FINISH

- DAX-1004-RD-CR Chrome

INCLUDED

- DAX-1004-01-CR
- DAX-1004-CR

SHOWER VALVES



DAX - 1004-SQ

FEATURES

- Concealed thermostatic mixer with 3 functions
- Brass body
- 304 Stainless Steel Trim Kit
- Square hand shower
- Square Handles
- UPC Approved

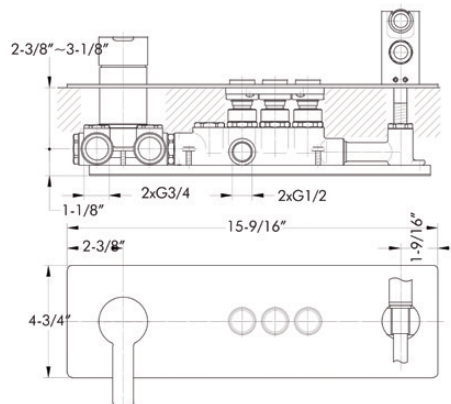
FINISH

- DAX-1004-SQ-CR Chrome

INCLUDED

- DAX-1004-03-CR
- DAX-1004-CR

SHOWER VALVES



DAX - 7308

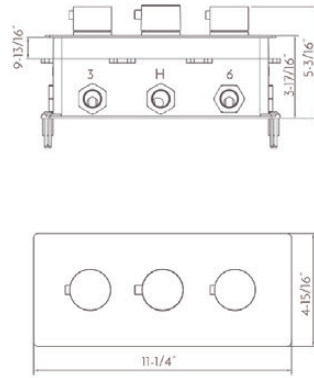
FEATURES

- Three functions
- Thermostatic
- Handshower included
- Ceramic cartridge
- Brass body
- DAX ClickOn® system

FINISH

- DAX-7308-BN Brushed nickel

SHOWER VALVES



DAX - 1058-RD

FEATURES

- Concealed thermostatic mixer with 4 functions
- Brass body
- 304 Stainless Steel Round Trim
- Round handles
- UPC Approved
- Allow 2 functions work together

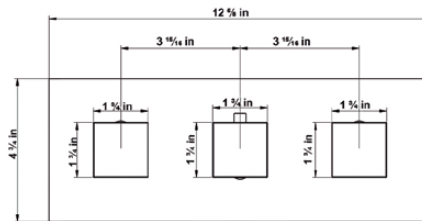
FINISH

- DAX-1058-RD-CR Chrome

INCLUDED

- DAX-1058-01-CR
- DAX-1058-CR

SHOWER VALVES



DAX - 1058-SQ

FEATURES

- Concealed thermostatic mixer with 4 functions
- Brass body
- 304 Stainless Steel Square Trim
- Square handles
- UPC Approved
- Allow 2 functions work together

FINISH

- DAX-1058-SQ-CR Chrome

INCLUDED

- DAX-1058-03-CR
- DAX-1058-CR

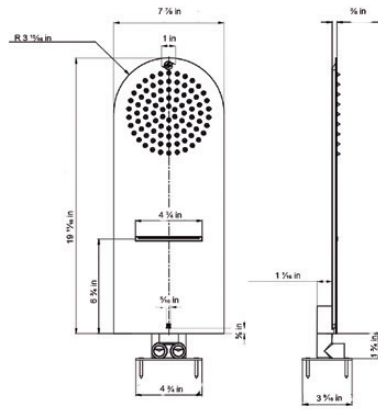
DAX - 8308





14 SHOWER HEADS
SERIES

SHOWER HEADS

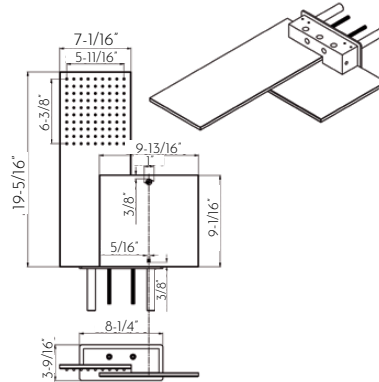


DAX - 9008-CR

FEATURES

- 2 functions
- 304 Stainless steel
- Silicone Nozzles
- Chrome finish
- UPC approved
- Size W 19 11/16" x H 7/8" x D 3/8"

SHOWER HEADS

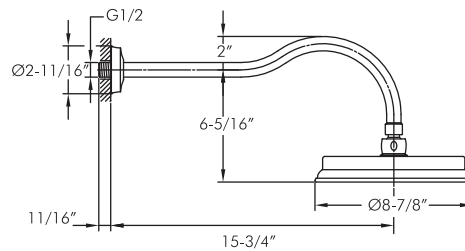


DAX - 9026-CR

FEATURES

- 2 functions
- 304 Stainless steel
- Silicone Nozzles
- Chrome finish
- UPC approved
- Rainshower W 19 5/16" x H 7" x D 3"
- Size W 19 11/16" x H 7/8" x D 3/8"

SHOWER HEADS



DAX - B15

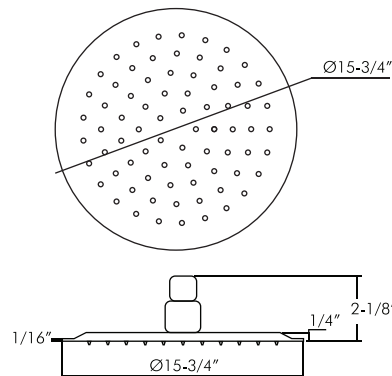
FEATURES

- Brass body
- 304 Stainless steel
- Silicone Nozzles
- Size Ø 8-7/8" x D 6-5/16"
- Shower arm included

FINISH

- DAX-B15-CR Chrome
- DAX-B15-ORB Oil rubbed bronze

SHOWER HEADS



DAX - 1240

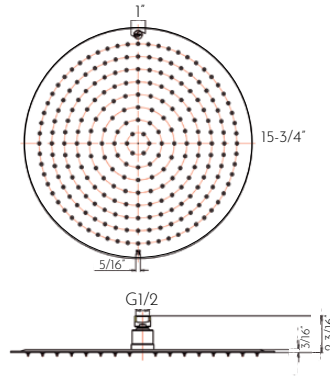
FEATURES

- Silicone Nozzles
- Stainless steel body
- Size Ø 15-3/4" x D 2-1/8"
- Shower arm not included

FINISH

- D-1240-CR Chrome
- D-1240-BN Brushed Nickel

SHOWER HEADS



DAX-C2015

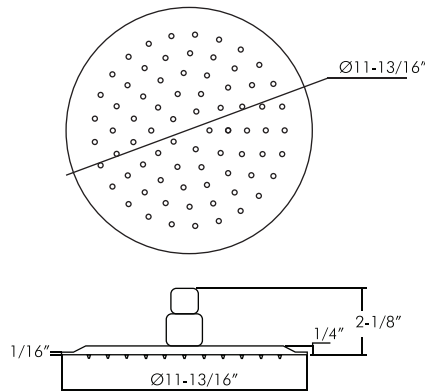
FEATURES

- Silicone Nozzles
- Stainless steel body
- Size $\text{Ø } 15\text{-}3/4" \times \text{D } 2\text{-}1/8"$
- Shower arm not included

FINISH

- DAX-C2015-CR Chrome
- DAX-C2015-BN Brushed Nickel

SHOWER HEADS



D-1230

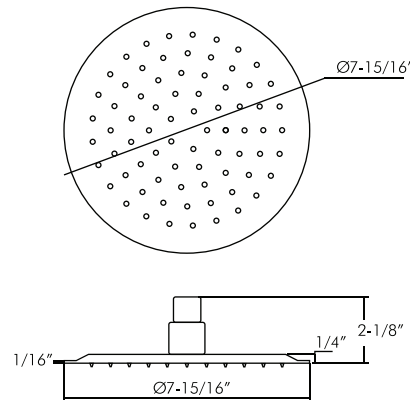
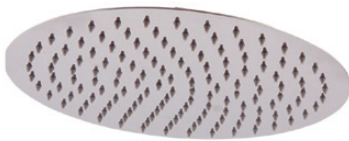
FEATURES

- Silicone Nozzles
- Stainless steel body
- Size $\text{Ø } 11\text{-}13/16" \times \text{D } 2\text{-}1/8"$
- Shower arm not included

FINISH

- D-1230-CR Chrome
- D-1230-BN Brushed Nickel

SHOWER HEADS



D-1220

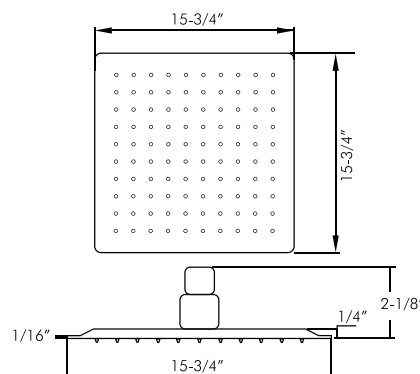
FEATURES

- Silicone Nozzles
- Stainless steel body
- Size $\text{Ø } 7\text{-}15/16" \times \text{D } 2\text{-}1/8"$
- Shower arm not included

FINISH

- D-1220-CR Chrome
- D-1220-BN Brushed Nickel

SHOWER HEADS



D-114040

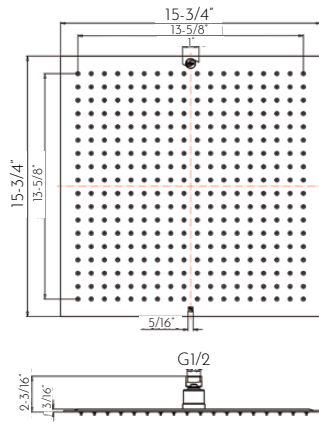
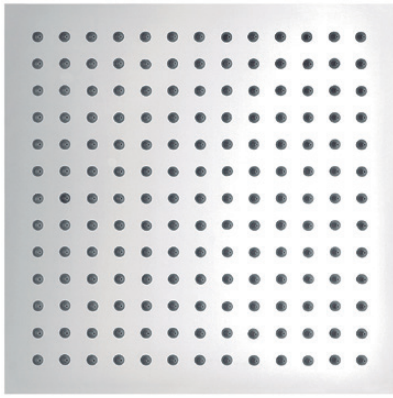
FEATURES

- Silicone Nozzles
- Stainless steel body
- Size $15\text{-}3/4" \times \text{H } 15\text{-}3/4" \times \text{D } 2\text{-}1/8"$
- Shower arm not included

FINISH

- D-114040-CR Chrome
- D-114040-BN Brushed Nickel

SHOWER HEADS



DAX-C2035

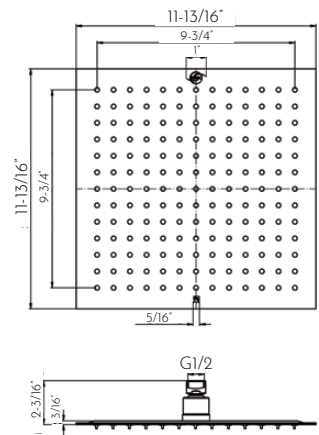
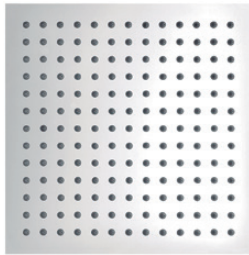
FEATURES

- Silicone Nozzles
- Stainless steel body
- Size 15-3/4" x H 15 3/4" x D 2-1/8"
- Shower arm not included

FINISH

- DAX-C2035-CR Chrome
- DAX-C2035-BN Brushed Nickel

SHOWER HEADS



DAX - C2039-CR

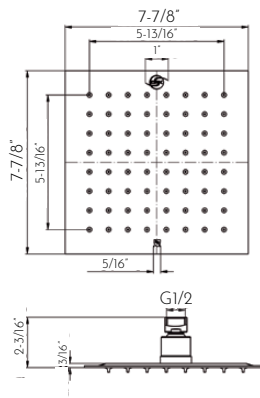
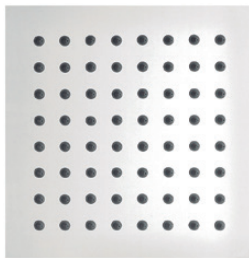
FEATURES

- Silicone Nozzles
- Stainless steel body
- Size 11-13/16" x H 11-13/16" x D 2-1/8"
- Shower arm not included

FINISH

- DAX-C2039-CR Chrome
- DAX-C2039-BN Brushed Nickel

SHOWER HEADS



DAX - C2041

FEATURES

- Silicone Nozzles
- Stainless steel body
- Size 8" x H 8" x D 2-1/8"
- Shower arm not included

FINISH

- DAX-C2041-CR Chrome
- DAX-C2041-BN Brushed Nickel

D - 1230



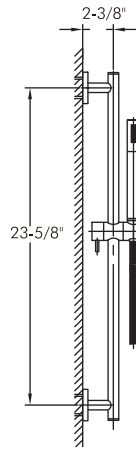
D - 114040-CR





HAND SHOWERS
SERIES 15

HAND SHOWERS



DAX - 9516

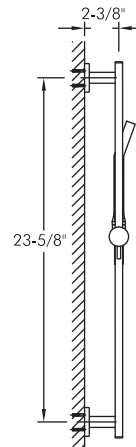
FEATURES

- Brass body
- Adjustable height
- Rail included
- Hose included
- Holder included
- Water connector not included

FINISH

- DAX-9516-CR Chrome

HAND SHOWERS



DAX - 9523

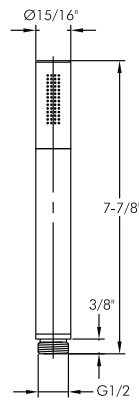
FEATURES

- Brass body
- Adjustable height
- Rail included
- Hose included
- Holder included
- Water connector not included

FINISH

- DAX-9523-CR Chrome

HAND SHOWERS



DAX - 516

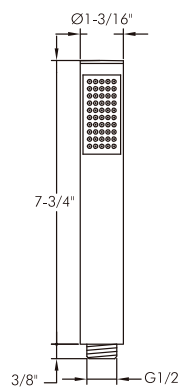
FEATURES

- Brass body
- Hose not included

FINISH

- DAX-516-CR Chrome

HAND SHOWERS



DAX - 520

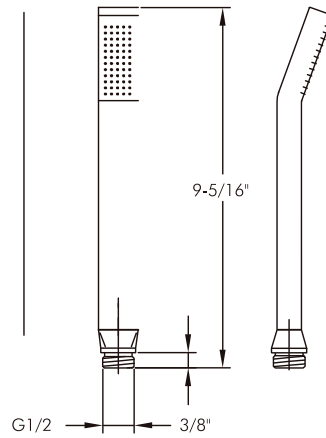
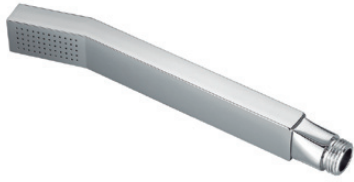
FEATURES

- ABS body
- Hose not included
- Silicone nozzles

FINISH

- DAX-520-CR Chrome

HAND SHOWERS



DAX - 528

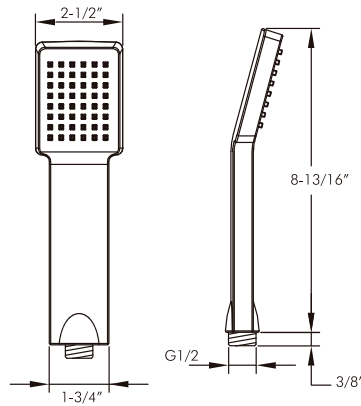
FEATURES

- Brass body
- Chrome finish
- Hose not included

FINISH

- DAX-528-CR Chrome

HAND SHOWERS



DAX - 550

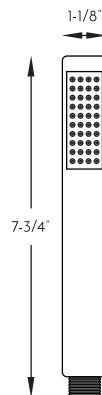
FEATURES

- ABS body
- Hose not included
- Silicone nozzles

FINISH

- DAX - 550-CR Chrome

HAND SHOWERS



D - H04

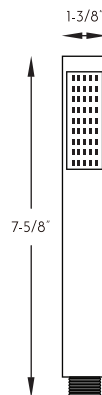
FEATURES

- ABS body
- Hose not included
- Silicone nozzles

FINISH

- D-H04-CR Chrome
- D-H04-BN Brushed nickel

HAND SHOWERS



DAX - H19

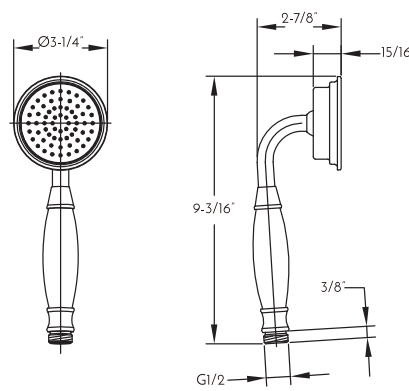
FEATURES

- ABS body
- Hose not included

FINISH

- D-H19-CR Chrome
- D-H19-BN Brushed nickel

HAND SHOWERS



DAX - 2083A-CR

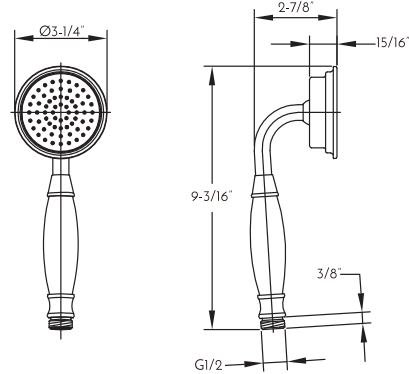
FEATURES

- Brass body
- Hose included
- Holder included
- Water connector not included
- Silicone nozzles

FINISH

- DAX-2083A-CR Chrome

HAND SHOWERS



DAX - 2083A-ORB

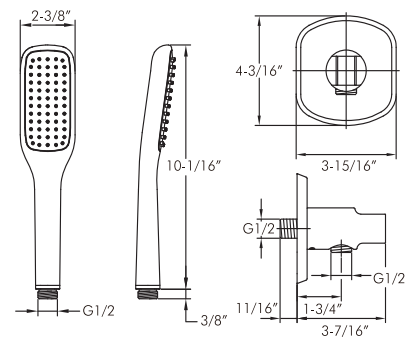
FEATURES

- Brass body
- Hose included
- Holder included
- Water connector not included
- Silicone nozzles

FINISH

- DAX-2083A-ORB Chrome

HAND SHOWERS



DAX - 8812

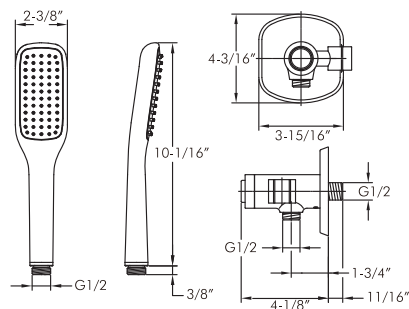
FEATURES

- ABS body
- Hose included
- Holder included
- Water connector not included
- Silicone nozzles

FINISH

- D-8812-CR Chrome
- D-8812-BN Brushed nickel

HAND SHOWERS



DAX - 8817

FEATURES

- ABS body
- Hose included
- Holder included
- Water connector not included
- Silicone nozzles
- DAX ClickOn® system

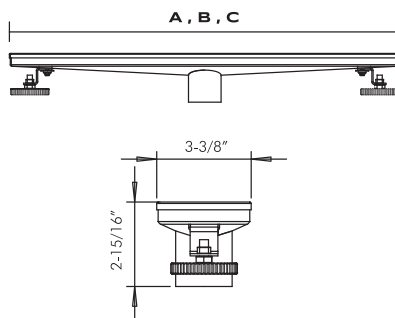
FINISH

- D-8817-CR Chrome
- D-8817-BN Brushed nickel



DRAIN SYSTEMS
SERIES 16

DRAIN SYSTEMS



DR - G06

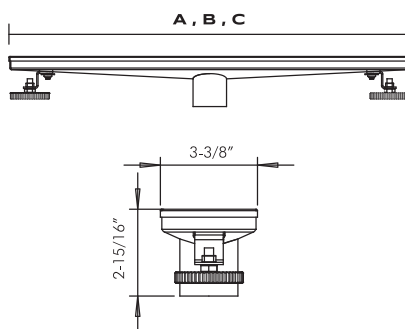
FEATURES

- Stainless steel body
- Brushed stainless steel finish

SIZES

- A. DR24-G06 W 24" x H 3-3/8" x D 2-15/16"
- B. DR36-G06 W 36" x H 3-3/8" x D 2-15/16"
- C. DR48-G06 W 48" x H 3-3/8" x D 2-15/16"

DRAIN SYSTEMS



DR - H01

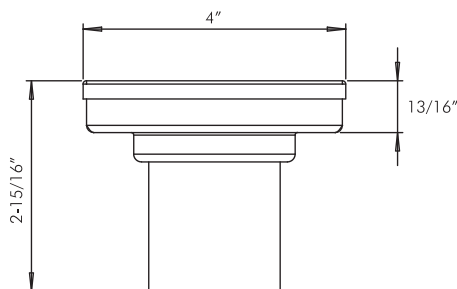
FEATURES

- Stainless steel body
- Brushed stainless steel finish

SIZES

- A. DR24-H01 W 24" x H 3-3/8" x D 2-15/16"
- B. DR36-H01 W 36" x H 3-3/8" x D 2-15/16"
- C. DR48-H01 W 48" x H 3-3/8" x D 2-15/16"

DRAIN SYSTEMS



ZS3S01

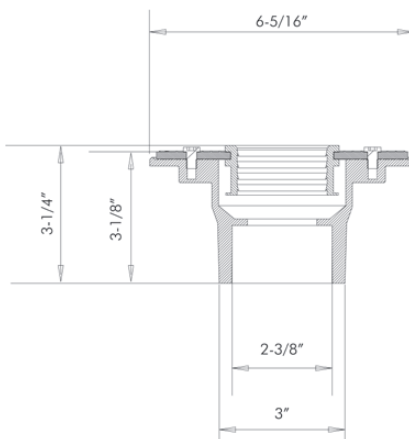
FEATURES

- Stainless steel body
- Size W4" x H 4" x D 2-15/16"

FINISH

- ZS3S01 BN Brushed nickel
- ZS3S01 CR Chrome

DRAIN SYSTEMS

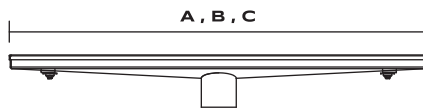


RT2343

FEATURES

- Stainless steel body
- Brushed stainless steel finish
- Size Ø6-5/16" x D 3-1/4"

DRAIN SYSTEMS



RT01

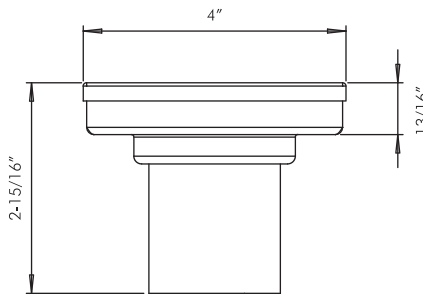
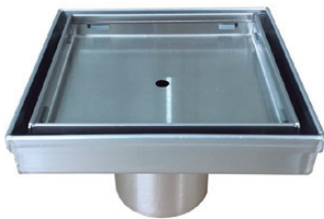
FEATURES

- Stainless steel body
- Brushed stainless steel finish

SIZES

- A. RT0124 W 24" x H 3-3/8" x D 2-15/16"
- B. RT0136 W 36" x H 3-3/8" x D 2-15/16"
- C. RT0148 W 48" x H 3-3/8" x D 2-15/16"

DRAIN SYSTEMS



RTZS3T01

FEATURES

- Stainless steel body
- Brushed stainless steel finish
- Size W 4" x H 4" x D 2-15/16"

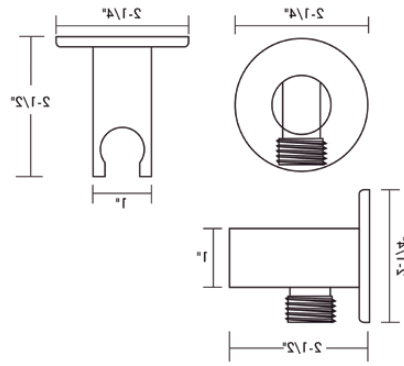
DAX - 3011-CR





17 SHOWER ACCESORIES
SERIES

SHOWER HOLDER



D - B52

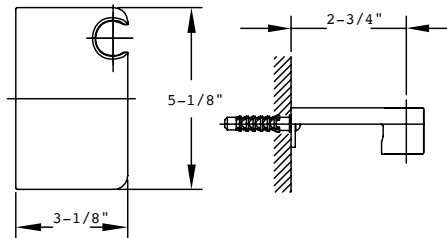
Features

- Handshower holder
- Brass body
- Water connection
- UPC approved

FINISH

- D-B52-CR Chrome
- D-B52-BN Brushed nickel

SHOWER HOLDER



DAX - 8816

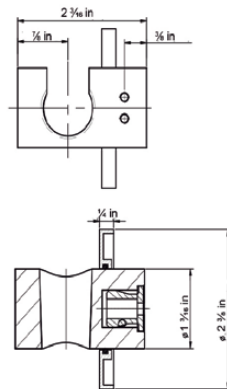
Features

- Handshower holder
- Brass body

FINISH

- DAX-8816-CR Chrome

SHOWER HOLDER



DAX - 044

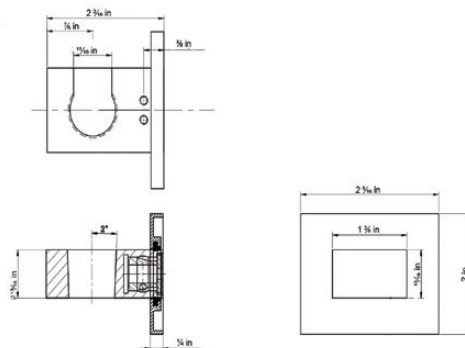
Features

- Shower holder
- Brass body
- UPC approved

FINISH

- DAX-044-CR Chrome
- DAX-044-BN Brushed nickel

SHOWER HOLDER



DAX - 080

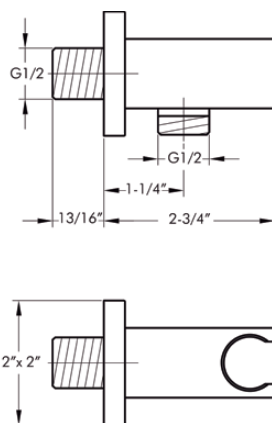
FEATURES

- Shower holder
- Brass body
- UPC approved

FINISH

- DAX-080-CR Chrome
- DAX-080-BN Brushed nickel

SHOWER HOLDER



DAX - 8876

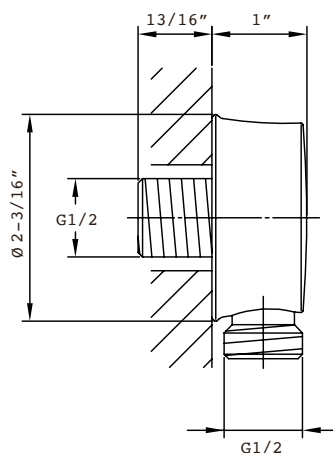
FEATURES

- Handshower holder
- Brass body

FINISH

- DAX-8876-CR Chrome

SHOWER ELBOWS



DAX - 8810

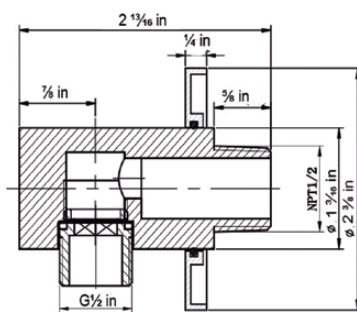
FEATURES

- Water line connector
- Brass body
- Water connection

FINISH

- DAX-8810-CR Chrome
- DAX-8810-ORB Oil rubbed bronze

SHOWER ELBOWS



DAX - 043

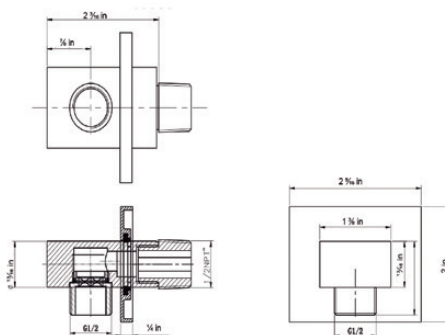
FEATURES

- Round hand shower holder
- Brass body
- Hose connector
- UPC approved

FINISH

- DAX-043-CR Chrome
- DAX-043-BN Brushed nickel

SHOWER ELBOWS



DAX - 079

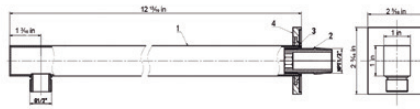
FEATURES

- Square hand shower holder
- Brass body
- Hose connector
- UPC approved

FINISH

- DAX - 079-CR Chrome
- DAX - 079-BN Brushed nickel

SHOWER ARMS



DAX - 1011-325

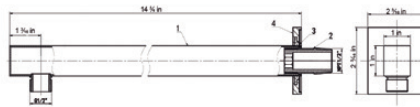
FEATURES

- Square shaped
- Brass body
- Length 12"
- UPC approved

FINISH

- DAX-1011-325-CR Chrome
- DAX-1011-325-BN Brushed nickel

SHOWER ARMS



DAX - 1011-375

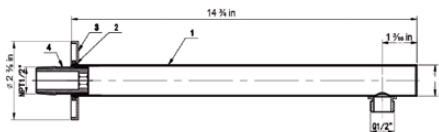
FEATURES

- Square shaped
- Brass body
- Length 15"
- UPC approved

FINISH

- DAX-1011-375-CR Chrome
- DAX-1011-375-BN Brushed nickel

SHOWER ARMS



DAX - 1053-365

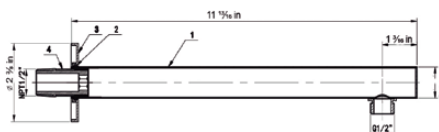
FEATURES

- Round shape
- Brass body
- Length 15"
- UPC approved

FINISH

- DAX-1053-365-CR Chrome
- DAX-1053-365-BN Brushed nickel

SHOWER ARMS



DAX - 1053-300

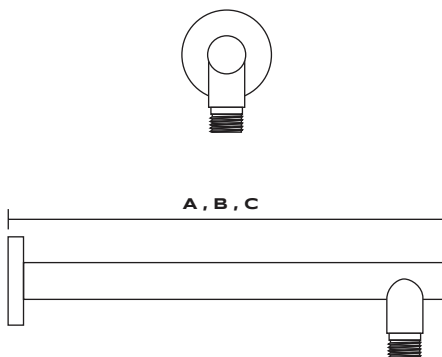
FEATURES

- Round shape
- Brass body
- Length 12"
- UPC approved

FINISH

- DAX-1053-300-CR Chrome
- DAX-1053-300-BN Brushed nickel

SHOWER ARMS



D - F04

FEATURES

- Shower arm
- Brass body

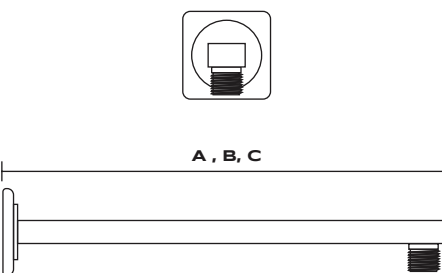
SIZES

- A. D-F04-12 Length 12"
- B. D-F04-15 Length 15"
- C. D-F04-18 Length 18"

FINISH

- D-F04-12-CR
- D-F04-12-BN
- D-F04-15-CR
- D-F04-15-BN
- D-F04-18-CR
- D-F04-18-BN

SHOWER ARMS



D - F20

FEATURES

- Shower arm
- Brass body

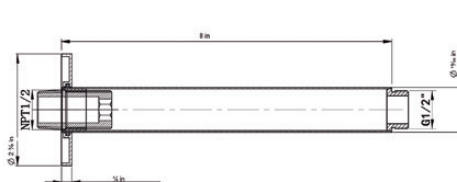
SIZES

- A. D-F20-12 Length 12"
- B. D-F20-15 Length 15"
- C. D-F20-18 Length 18"

FINISH

- D-F20-12-CR
- D-F20-12-BN
- D-F20-15-CR
- D-F20-15-BN
- D-F20-18-CR
- D-F20-18-BN

SHOWER ARMS



DAX - 1016-200

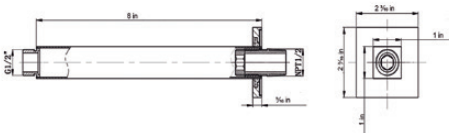
FEATURES

- Ceiling mount
- Round shape
- Brass body
- Length 12"
- UPC approved

FINISH

- DAX-1016-200-CR Chrome
- DAX-1016-200-BN Brushed nickel

SHOWER ARMS



DAX - 1012-200

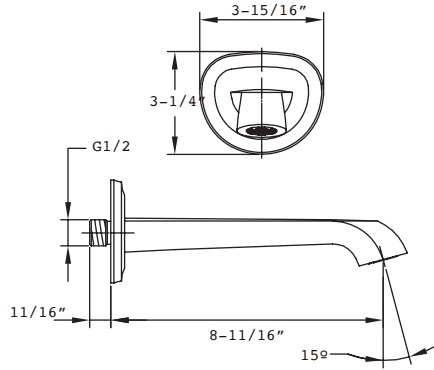
FEATURES

- Ceiling mount
- Square shaped
- Brass body
- Length 8"
- UPC approved

FINISH

- DAX-1012-200-CR Chrome
- DAX-1012-200-BN Brushed nickel

BATHTUB SPOUTS



DAX - Z27

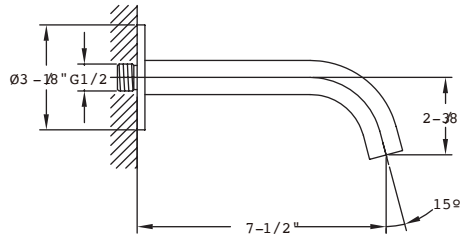
FEATURES

- Tub Filler Spout
- Brass body

FINISH

- DAX-Z27-CR Chrome
- DAX-Z27-ORB Oil rubbed bronze

BATHTUB SPOUTS



DAX - Z08B-CR

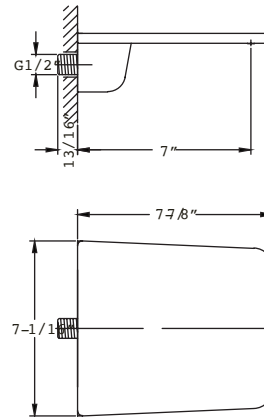
FEATURES

- Tub Filler Spout
- Brass body

FINISH

- DAX-Z08B-CR Chrome

BATHTUB SPOUTS



DAX - Z25-CR

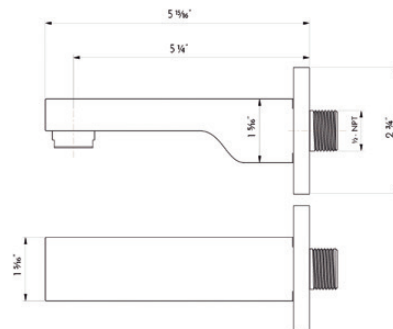
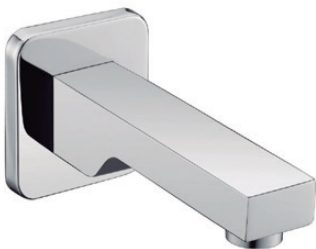
FEATURES

- Tub Filler Spout
- Brass body

FINISH

- DAX-Z25-CR Chrome

BATHTUB SPOUTS



DAX - Z2552

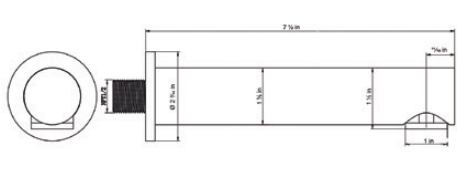
FEATURES

- Tub Filler Spout
- Brass body
- Cooper Alloy
- Square shape

FINISH

- DAX-Z2552-CR Chrome
- DAX-Z2552-BN Brushed nickel

BATHTUB SPOUTS



DAX - 1027

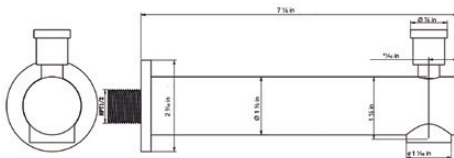
FEATURES

- Brass body
- UPC approved
- Round

FINISH

- DAX-1027- CR Chrome
- DAX-1027- BN Brushed nickel

BATHTUB SPOUTS



DAX - 0127-1

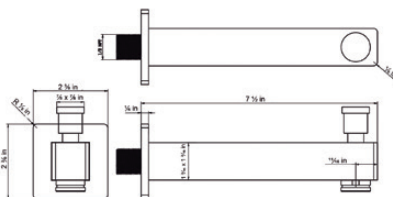
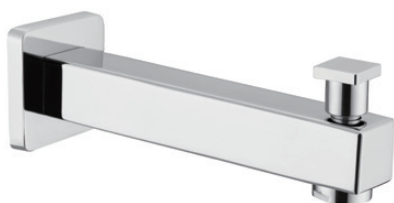
FEATURES

- With Diverter
- Brass body
- Round

FINISH

- DAX-0127-1-CR Chrome
- DAX-0127-1-BN Brushed nickel

BATHTUB SPOUTS



DAX - 0130-1

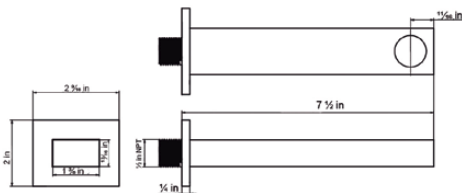
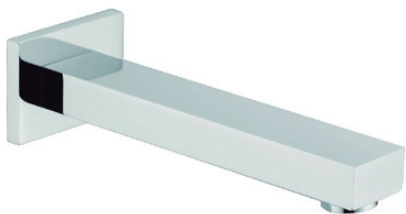
FEATURES

- With Diverter
- Brass body
- Square

FINISH

- DAX-0130-1-CR Chrome
- DAX-0130-1-BN Brushed nickel

BATHTUB SPOUTS



DAX - 1032

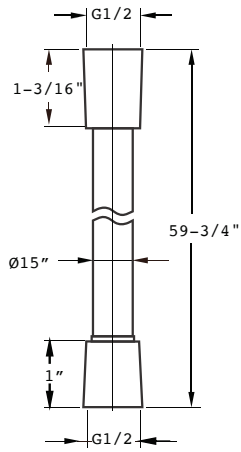
FEATURES

- Brass body
- UPC approved
- Square shape

FINISH

- DAX -1032-CR Chrome
- DAX -1032-BN Brushed nickel

HAND SHOWER HOSES



D-8861B

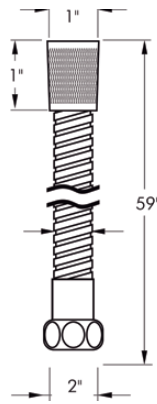
FEATURES

- Handshower hose
- Rubber body
- Standard connection

FINISH

- D-8861B-CR Chrome

HAND SHOWER HOSES



D-H34

FEATURES

- Handshower hose
- Metal body
- Standard connection

FINISH

- D-H34-CR Chrome
- D-H34-BN Brushed nickel

DAX-1008

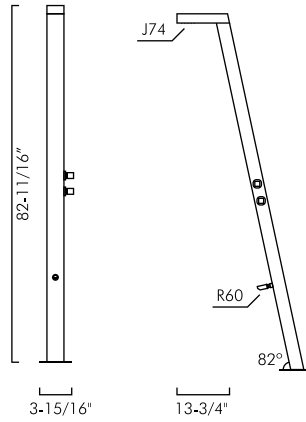




OUTDOOR SHOWERS
SERIES

18

OUTDOOR SHOWERS



DAX - S307

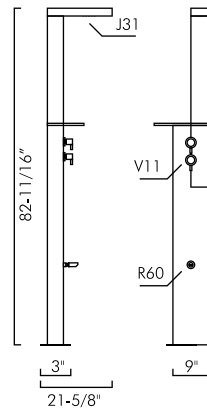
FEATURES

- Stainless steel body
- Rainshower
- Dual function
- Wooden base not included

FINISH

- DAX-S307-CR Chrome
- DAX-S307-BN Brushed nickel

OUTDOOR SHOWERS



DAX - S308

FEATURES

- Stainless steel body
- Rainshower
- Dual function
- Wooden base not included

FINISH

- DAX-S308-CR Chrome
- DAX-S308-BN Brushed nickel

DAX - S308



DAX - S308



WELCOME
TO YOUR NEW HOME,
WELCOME TO **DAX**



FACEBOOK
DAXIB



TWITTER
DAXv2



INSTAGRAM
DAILYDAXIB



PINTEREST
DAXINTL



HOUZZ
DAX-INTERNATIONAL



DAX INTERNATIONAL

HEADQUARTER
8600 NW S. River Drive
Suite 7, Medley, FL 33166.

HIALEAH
3199 W 80th Street
Miami FL 33018.

AVENTURA
2189 NE 163rd Street, North
Miami Beach, FL 33162

POMPANO BEACH
1711 North Powerline Rd,
Pompano Beach, FL 33069

CALL US NOW
Phone: +1 (305) 826-1515
Email: info@daxib.com

These measurements are subject to change or cancellation. No responsibility assumed for use suspended or voided pages. Due to the printing process. The actual products may differ from those pictured. For true matching purposes please refer to sanitarware chip sample.

www.daxib.com